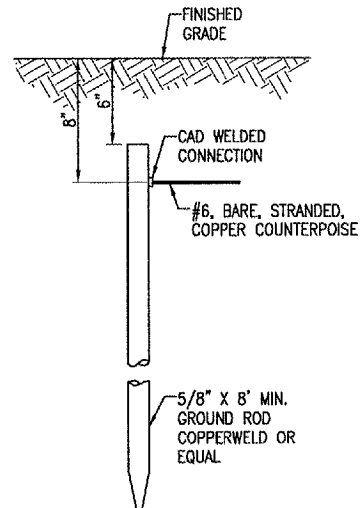


NOTES:
 DETAIL NUMBERS INDICATE NO. OF CABLES.
 TRENCHES WITH MORE THAN SEVEN CABLES SHALL BE INCREASED 3" IN WIDTH FOR EACH ADDITIONAL CABLE; IF SPECIFIED ON PLANS TWO PARALLEL TRENCHES MAY BE CONSTRUCTED.
 DEPTH OF TRENCHES SHALL BE AS SHOWN ABOVE UNLESS OTHERWISE SPECIFIED ON THE PLANS.
 ALL DISTURBED SURFACES SHALL BE RESTORED TO THEIR ORIGINAL CONDITION. COST IS INCIDENTAL TO TRENCH.

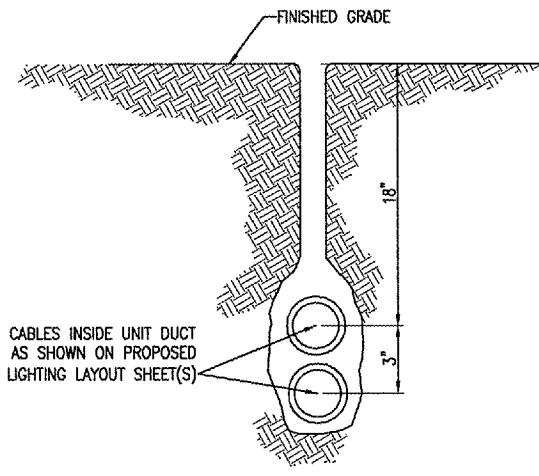
EARTH BACKFILL WILL HAVE MAXIMUM 1" SIZE PARTICLES AND WILL BE PLACED IN TWO LIFTS AS APPROXIMATELY SHOWN (TYPICAL FOR ALL TRENCHES)

CABLE TRENCHES
(NOT TO SCALE)

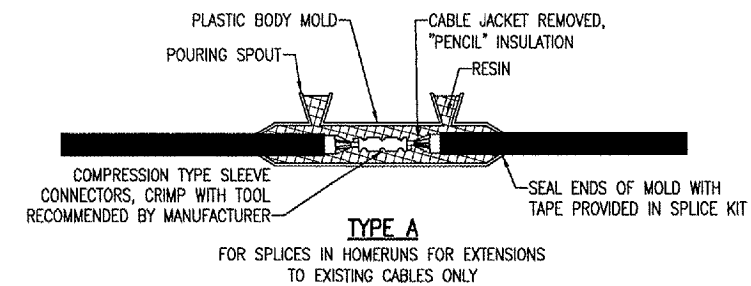


NOTES:
 TYPE AND MINIMUM NUMBER OF GROUND RODS SHALL BE AS SPECIFIED ON THE PLAN.
 THE RESISTANCE TO GROUND OF THE COUNTERPOISE GROUNDING SYSTEM SHALL NOT EXCEED 25 OHMS.
 COST OF GROUND RODS IS INCIDENTAL TO THE ASSOCIATED ITEMS REQUIRING GROUNDING UNLESS OTHERWISE SPECIFIED.

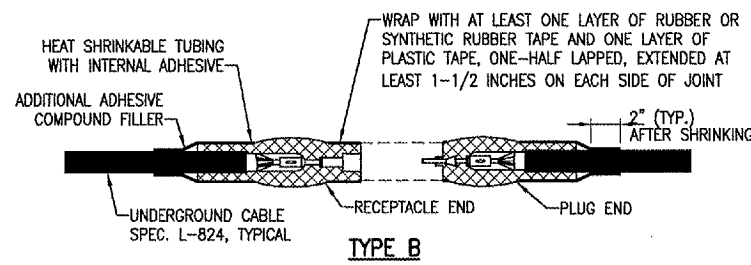
GROUND ROD
(NOT TO SCALE)



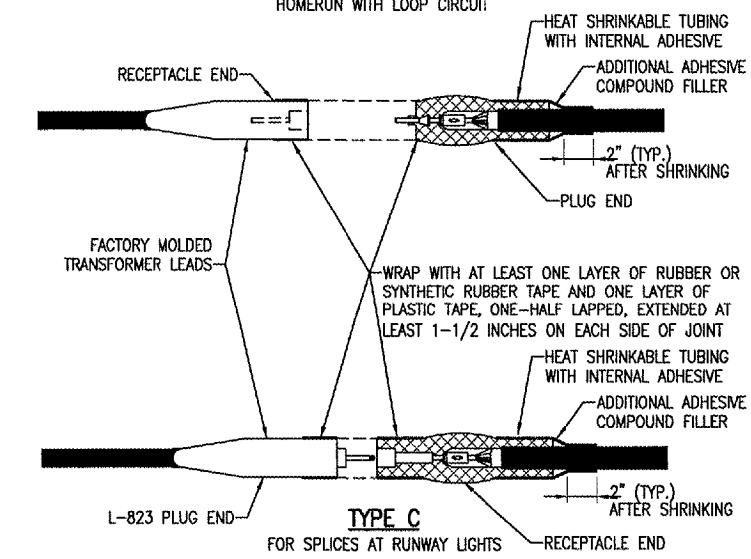
PLOWED CABLE
(NOT TO SCALE)



TYPE A
FOR SPLICES IN HOMERUNS FOR EXTENSIONS TO EXISTING CABLES ONLY



TYPE B
FOR SPLICES AT JUNCTION OF HOMERUN WITH LOOP CIRCUIT



TYPE C
FOR SPLICES AT RUNWAY LIGHTS

NOTES:
 SEE PROPOSED LIGHTING LAYOUT SHEET(S) FOR SPLICE TYPE.
 INSIDE DIAMETER OF CONNECTOR SHALL PROPERLY MATCH THE OUTSIDE DIAMETER OF CABLE.

CABLE SPLICES
(NOT TO SCALE)

BY	
REVISION	
DATE	



HEI Project No. 819-05RWYD_0803	
Filename: R-542ELE.DGN	
Scale: NOT TO SCALE	
Date: 12/21/04	
LAYOUT	12/21/04
DRAWN	12/21/04
REVIEWED	12/21/04
R.A.W.	
B.A.K.	
C.A.H.	



REHABILITATE RUNWAY 5-23
PROPOSED ELECTRICAL DETAILS

01/31/2005, 11:55 AM
 I:\Airports\MtVernon\819-05RWY\Design\Sheets\R-542ELE.dgn