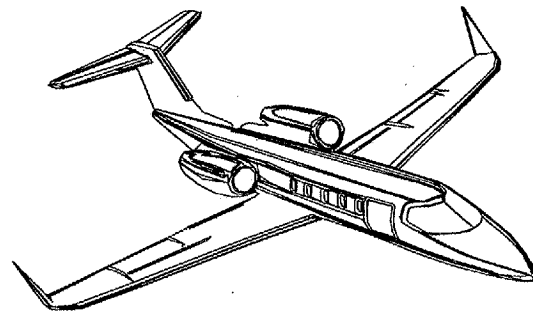


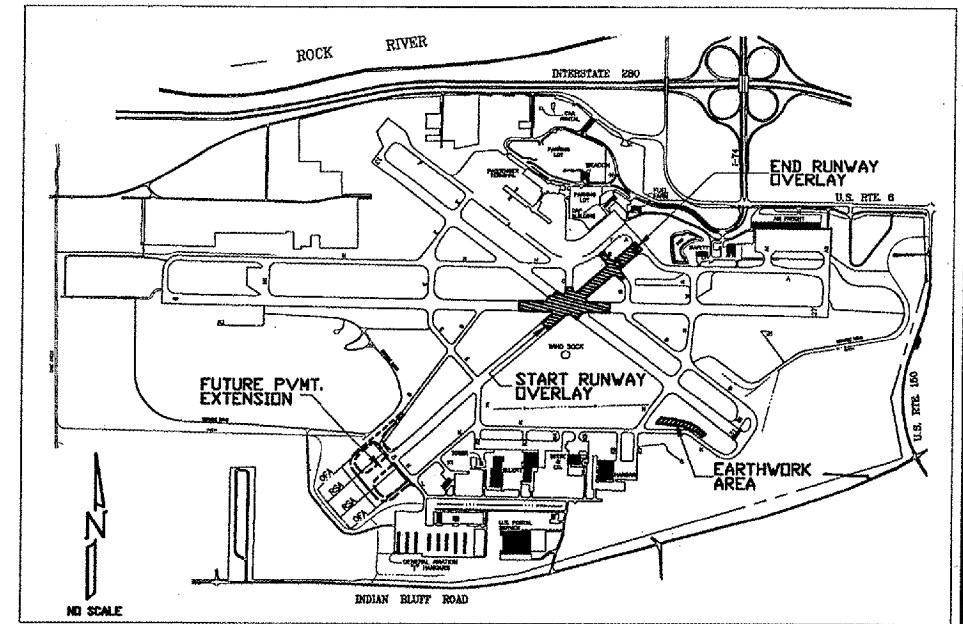
QU093

G:\AIRPORT\A04T0015\COV.DWG 1=1 11-15-04  
QUAD CITY INTERNATIONAL AIRPORT  
RUNWAY 5-23 OVERLAY, PHASE I  
ILL. MLI-3374  
SHEET 1 OF 63

5A



STATE OF ILLINOIS  
DEPARTMENT OF TRANSPORTATION  
DIVISION OF AERONAUTICS  
CONSTRUCTION PLANS  
FOR  
**QUAD-CITY  
INTERNATIONAL  
AIRPORT**  
ROCK ISLAND COUNTY, ILLINOIS



PROJECT LOCATION MAP

P.C. CONCRETE OVERLAY (971' X 150') ON RUNWAY 5-23,  
BITUMINOUS RESURFACING (1,100' X 150' AND 795' X 150') ON  
RUNWAYS 9-27 AND 5-23 ALONG WITH SHOULDER EMBANKMENT,  
UTILITY ADJUSTMENTS, TURFING, AND PAVEMENT MARKINGS.

WARNING




CALL BEFORE  
YOU DIG

INDEX OF SHEETS	
SHEET NO.	TITLE
1	COVER SHEET AND INDEX OF SHEETS
2	SUMMARY OF QUANTITIES / GENERAL NOTES
3-5	PROPOSED SAFETY PLAN
6-13	TYPICAL SECTIONS
14-16	RUNWAY 5-23 PLAN & PROFILES
17	RUNWAY 9-27 PLAN & PROFILE
18	RUNWAY 13-31 PLAN & PROFILE
19	TAXIWAY K AREA PLAN
20	JOINT PLAN
21	JOINT DETAILS
22-23	STAKING PLAN
24-25	PROPOSED PAVEMENT MARKINGS
26	LIGHTING PLAN
27-29	LIGHTING DETAILS
30-31	MISCELLANEOUS DETAILS
32	PROPOSED STORM WATER POLLUTION PREVENTION PLAN
33-44	PROPOSED RUNWAY 5-23 CROSS SECTIONS
45-54	PROPOSED RUNWAY 9-27 CROSS SECTIONS
55-59	PROPOSED RUNWAY 13-31 CROSS SECTIONS
60-63	PROPOSED TAXIWAY K AREA CROSS SECTIONS

ILLINOIS PROJECT MLI-3374  
A.I.P. PROJECT NO. 3-17-0068-XX  
AIRPORT CLASSIFICATION - AIR CARRIER

AIRCRAFT APPROACH CATEGORY - B  
AIRPLANE DESIGN GROUP - III  
LATITUDE 41°26'52.4", LONGITUDE 90°30'33.9", ELEVATION 589'M.S.L.

CONSULTING ENGINEERS <b>MISSMAN, STANLEY &amp; ASSOC.</b>  ENGINEER'S SIGNATURE <i>Dennis R. Martin</i> SEALED & SIGNED 1/25/05 DATE OF LICENSE EXPIRATION 11/30/05 	METROPOLITAN AIRPORT AUTHORITY OF ROCK ISLAND COUNTY, ILLINOIS  <i>Bruce Carter</i> 1-26-05 DATE APPROVED
PREPARED BY <b>MISSMAN, STANLEY &amp; ASSOCIATES</b> Consulting Civil Engineers ROCK ISLAND, ILLINOIS  JANUARY 25, 2005 OFFICIAL DATE OF PLANS	COVER SHEET AND INDEX OF SHEETS 1/63

G:\Airport\A04T015\cov.dwg, 1/25/2005 1:39:06 PM, jefrm