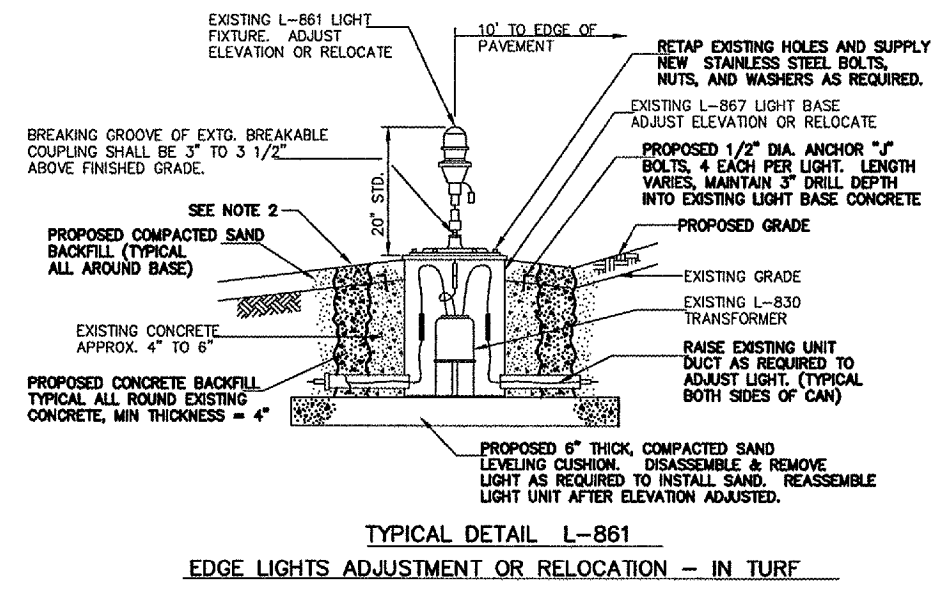


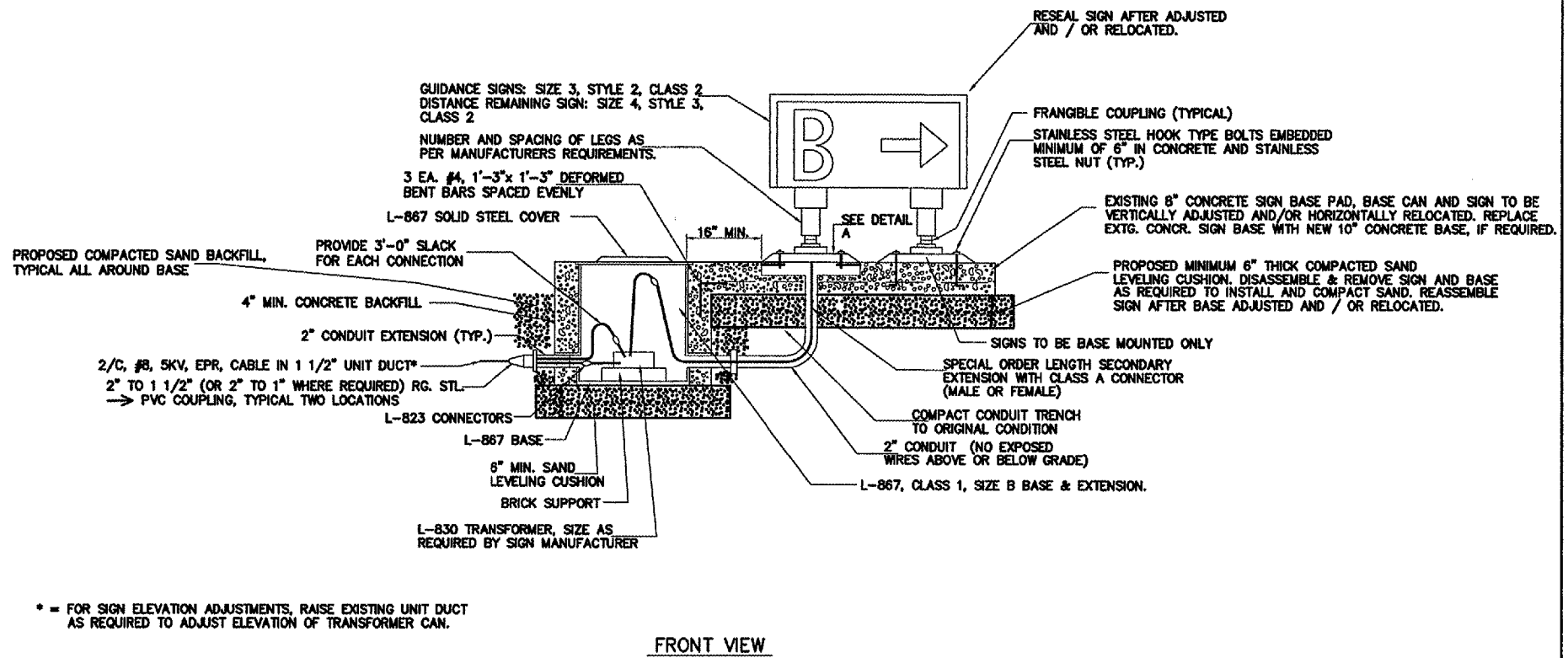
ADJUSTMENT / RELOCATION OF EXISTING GUIDANCE SIGNS



TYPICAL DETAIL L-861
 EDGE LIGHTS ADJUSTMENT OR RELOCATION - IN TURF

NOTES:

1. AT THE CONTRACTOR'S OPTION, LIGHT BASE CAN EXTENSION RINGS MAY BE USED TO ADJUST LIGHT FIXTURE. CONTRACTOR TO EXTEND EXISTING CONCRETE APRON AROUND LIGHT BASE TO PROPOSED GRADE ELEVATION IF BASE CAN EXTENSION RINGS ARE USED. CONTRACTOR TO DETERMINE HEIGHT OF BASE CAN EXTENSION RINGS IN THE FIELD AT THE TIME OF CONSTRUCTION.
2. GROUND SURFACE DRAINAGE TO FLOW AWAY FROM EDGE OF PAVEMENT AND LIGHT BASE CANS. NO WATER PONDING OR LOW SPOTS SHALL BE PERMITTED AROUND LIGHT BASE CANS.

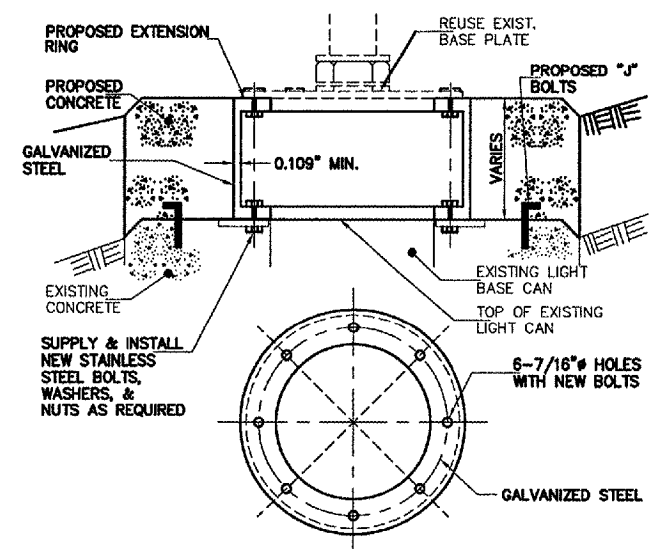


FRONT VIEW

* = FOR SIGN ELEVATION ADJUSTMENTS, RAISE EXISTING UNIT DUCT AS REQUIRED TO ADJUST ELEVATION OF TRANSFORMER CAN.

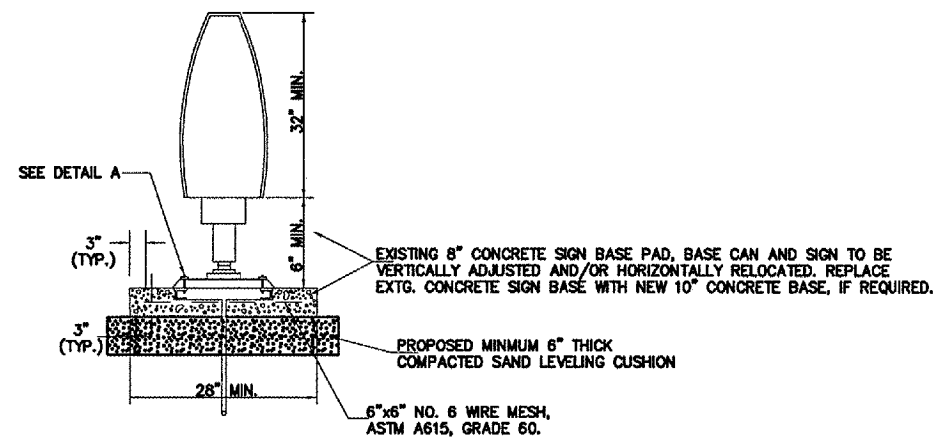
NOTES:

1. COLOR CODE TAPE FOR WIRE IDENTIFICATION 6\"/>

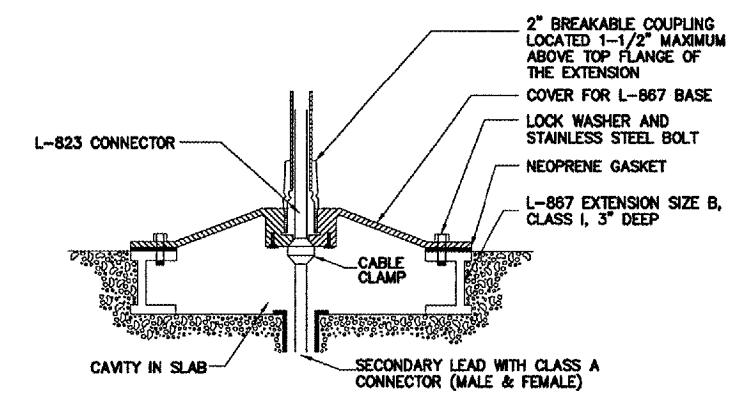


OPTIONAL EXTENSION RING DETAIL
 N.T.S.

NOTE: THE CONTRACTOR SHALL FIELD VERIFY EXISTING LIGHT BASE TYPES (MOST ARE 12\"/>



SIDE VIEW



DETAIL A