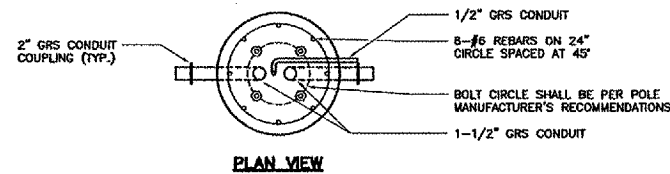


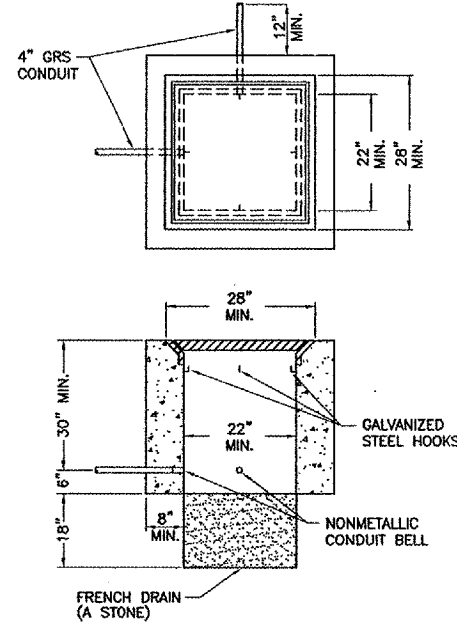
ELEVATIONS VIEW



PLAN VIEW

NEW LIGHT POLE FOUNDATION DETAIL

NOT TO SCALE

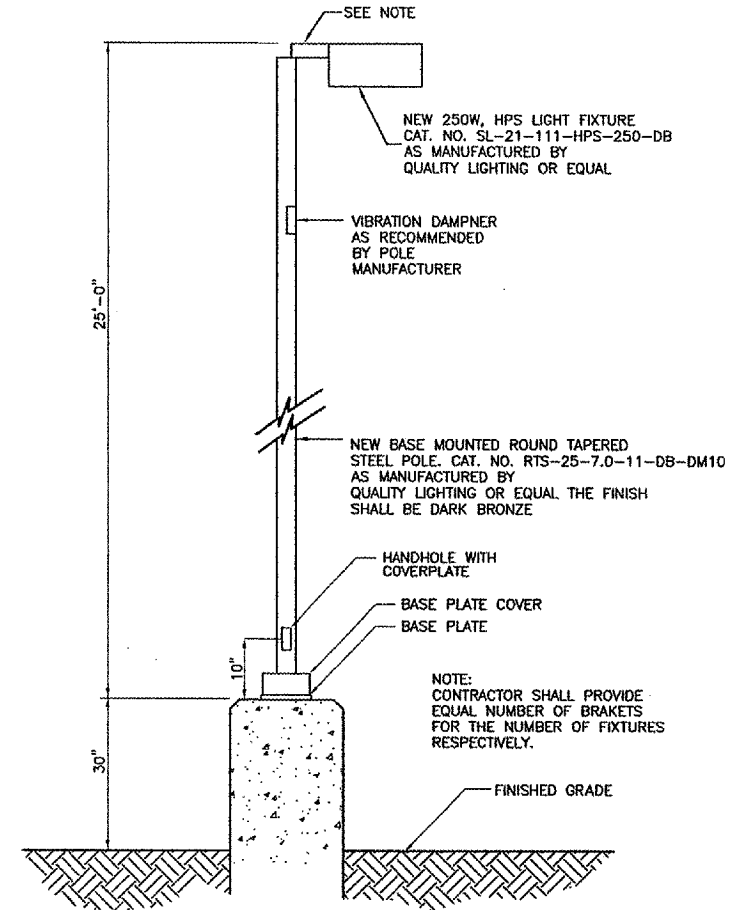


CONCRETE ELECTRICAL HANDHOLE DETAIL

NOT TO SCALE

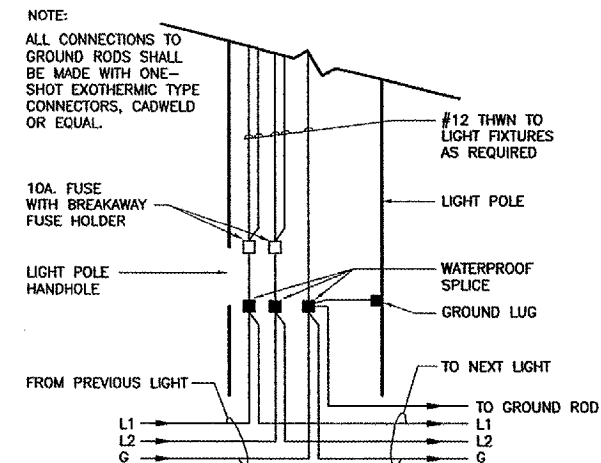
NOTES:

1. CONDUIT ENTRANCES AND NUMBER OF CONDUITS SHALL BE AS SHOWN ON SITE PLAN VIEW.
2. FRAME AND LID SHALL BE NEENAH R-6662-KH OR EQUAL.
3. FRAME AND LID SHALL BE SUITABLE FOR H-20 LOADING.
4. COVER SHALL BE STAMPED "ELECTRICAL".



NEW BASE MOUNTED SQUARE STEEL LIGHT POLE AND FIXTURE

NOT TO SCALE



LIGHT POLE HANDOLE WIRING DIAGRAM

NOT TO SCALE

REVISIONS

NUMBER	BY	DATE

0 1 2
 THIS BAR IS EQUAL TO 2" AT FULL SCALE (34X22).

AURORA MUNICIPAL AIRPORT
 AURORA, ILLINOIS
 CONNECTING NORTHEAST QUADRANT APRON,
 CONNECTING TAXIWAY AND RUNWAY 27 STOPWAY

ELECTRICAL DETAILS - SHEET 4

© Copyright CMT, Inc.
CMT
 CRAWFORD, MURPHY & TILLY, INC.
 CONSULTING ENGINEERS
 License No. 184-000613

DESIGN BY:	AB
DRAWN BY:	JRO
CHECKED BY:	MJS
APPROVED BY:	DKP
DATE:	01/26/05
JOB No:	04285-03
ILLINOIS PROJECT:	ARR-3442
A.I.P. PROJECT:	3-17-0003-B30
FINAL SUBMITTAL	
SHEET 26 OF 39 SHEETS	