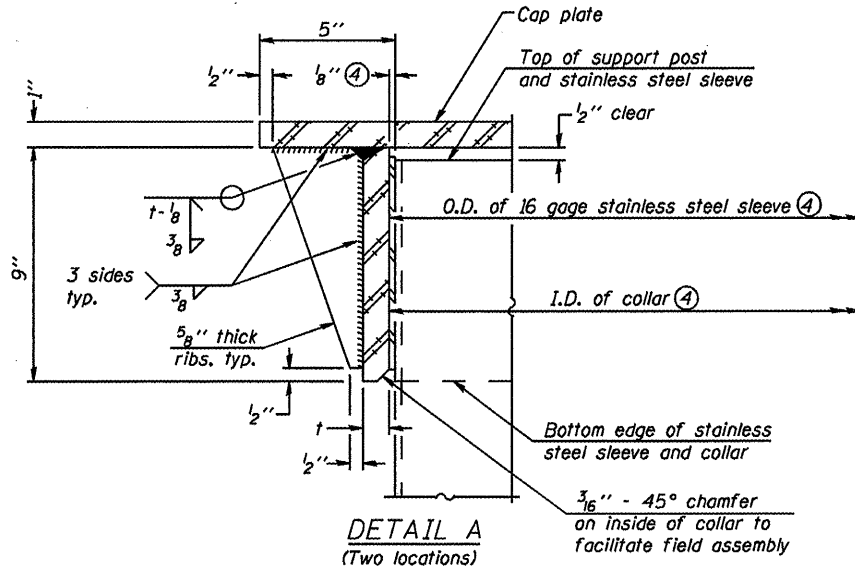


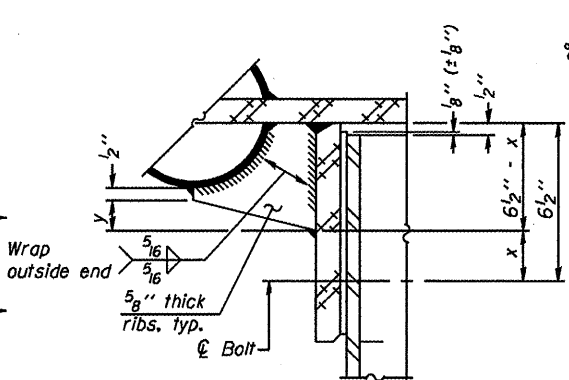
④ Collar I.D. shall be manufactured to correspond to O.D. of actual galvanized post and stainless steel sleeve plus 1/8" (± 1/16"). Maximum gap between post and collar at any location equals 1/8" before tightening bolts.

SECTION B-B

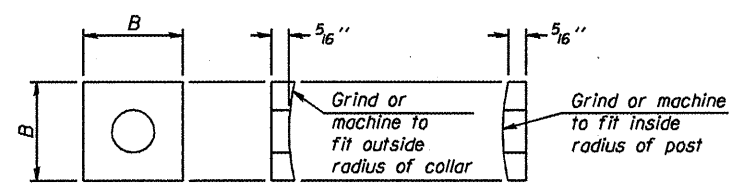
Bolts, washers (including contoured washers), and locknuts shall be stainless steel.



DETAIL A  
(Two locations)



DETAIL B  
Two locations  
(For details not shown, see Detail C)

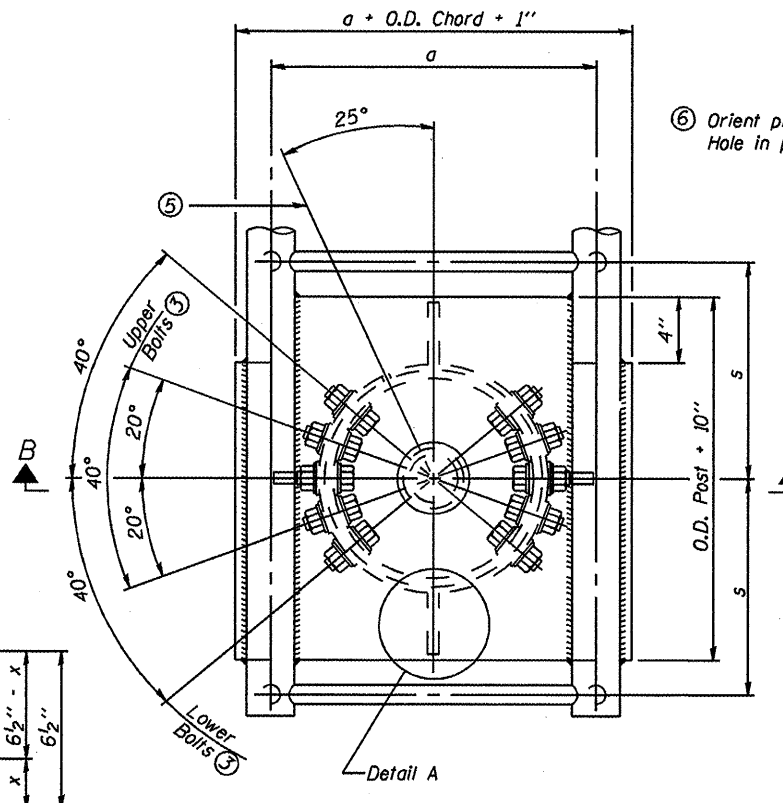


CONTOURED WASHERS

Bolt Size	Contoured Washers	
	Hole Dia.	B
7/8"	1"	2 1/2"
1"	1 1/8"	3"
1 1/4"	1 3/8"	3 1/4"

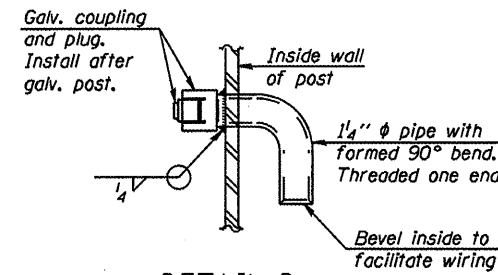
DETAIL OF STAINLESS STEEL SLEEVE

Weld to post after galvanizing. (Prepare post surface to insure tight, uniform fit and allow welding.) Welds to be 1/2" long at 6" cts. along top edge and at 1/4" opening.

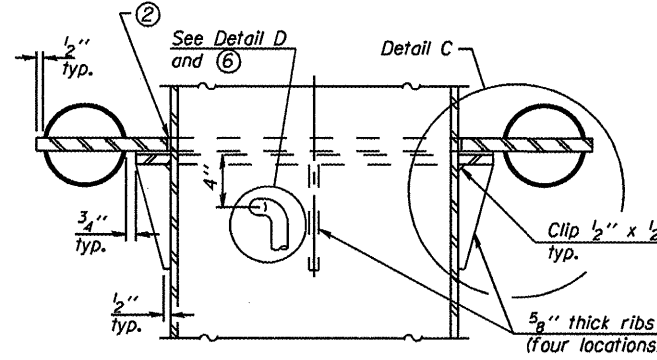


PLAN VIEW - TOP OF COLUMN

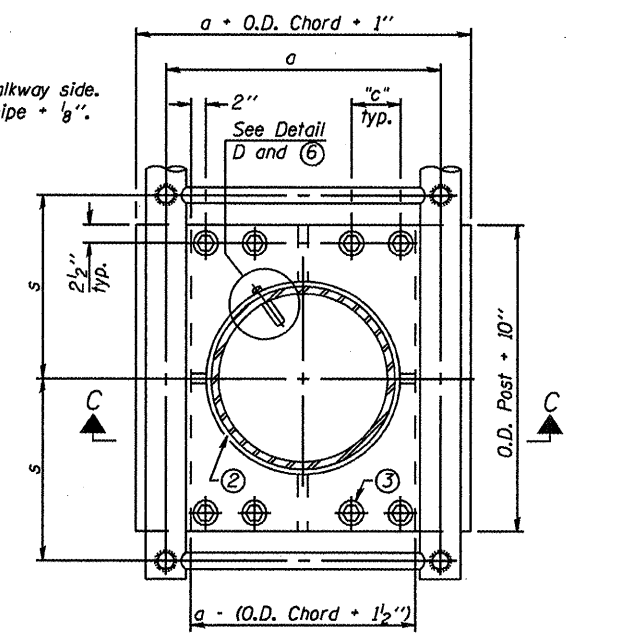
⑤ Optional full penetration weld in collar. (Two locations maximum....(180° apart)....X-ray or UT 100%)



DETAIL D

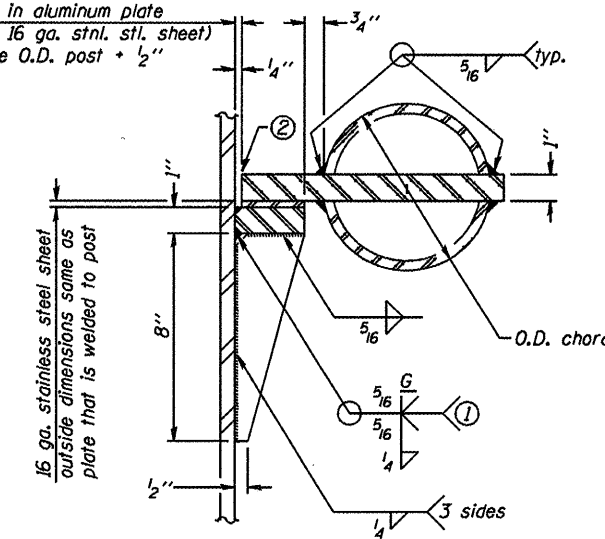


SECTION C-C



SECTION THRU POST ABOVE LOWER CHORDS

Hole in aluminum plate (and 16 ga. stnl. stl. sheet) to be O.D. post + 1/2"



DETAIL C

- ① Grind top if required to fully seat aluminum plate and stainless steel sheet.
- ② After tightening lower connection bolts, fill gap with non-hardening, silicone caulk suitable for exterior exposure and acceptable to the Engineer. Cost is included in Overhead Sign Structure Cantilever.
- ③ Upper and lower connection bolts in collar and bolts at lower chord connection shall be high strength with matching locknuts. Connection bolts shall have 2 stainless steel flat washers each.

Truss Type	Post Size	Upper & Lower Connection Bolt Diameter ③	Lower Juncture Bolt Spacing Dimension "c" ③	Opening in Cap Plate "HH"	Collar Thickness (t)	Side Ribs	
						x	y
I-C-A	16" φ (83#/1)	7/8"	3 1/4"	8"	5/8"	1 3/4"	2 1/4"
II-C-A	24" φ (125#/1)	1"	3 1/2"	12"	7/8"	2"	1 1/4"
III-C-A (35' max.)	24" φ (125#/1)	1 1/4"	3 1/2"	12"	7/8"	2"	1"
III-C-A (>35' to 40')	24" φ (171#/1)	1 1/4"	3 1/2"	12"	7/8"	2"	1"

OSC-A-3

7-1-10

FILE NAME *	USER NAME *	DESIGNED -	REVISD -
		CHECKED -	REVISD -
PLOT SCALE *		DRAWN -	REVISD -
PLOT DATE *		CHECKED -	REVISD -

STATE OF ILLINOIS  
DEPARTMENT OF TRANSPORTATION

CANTILEVER SIGN STRUCTURES - JUNCTURE DETAILS  
ALUMINUM TRUSS & STEEL POST

F.A. RTE.:	SECTION	COUNTY	TOTAL SHEETS	SHEET NO.
Various	D-6 OVD SIN STR REPL II-II	Logan/Sangamon	29	16
			CONTRACT NO. 46134	
ILLINOIS FED. AID PROJECT				