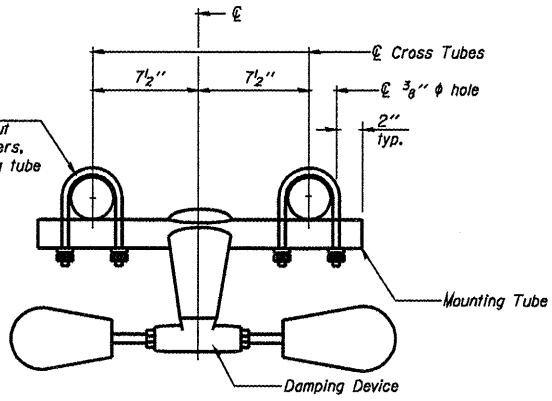
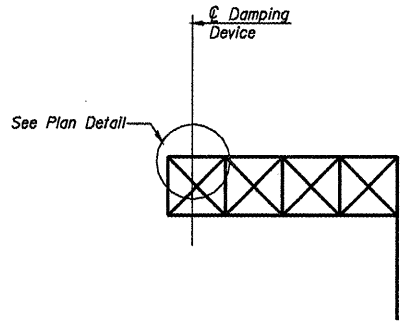


PLAN DETAIL

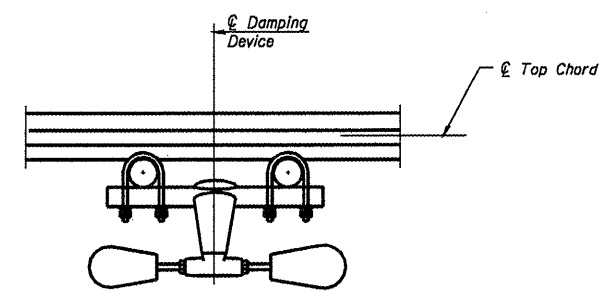


TRUSS DAMPING DEVICE CONNECTION DETAIL

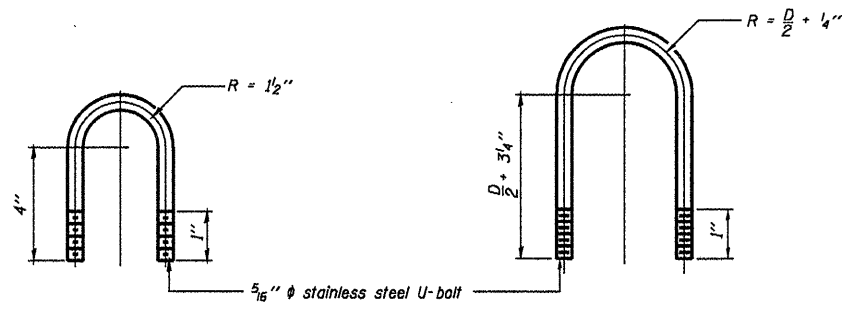


ELEVATION
Aluminum Cantilever Sign Structure

GENERAL NOTES
 Damper: One damper per Truss. (31 lbs. Stockbridge-Type Aluminum-29" minimum between ends of weights)
 Materials: Aluminum tubes shall be ASTM B221 alloy 6061 temper T6



SECTION A-A



DAMPING DEVICE MOUNTING TUBE U-BOLT DETAIL
(Typical)

TOP CHORD TO CROSS TUBE U-BOLT DETAIL
(Typical)

OSC-A-D		7-1-10		STATE OF ILLINOIS DEPARTMENT OF TRANSPORTATION		CANTILEVER SIGN STRUCTURE DAMPING DEVICE		SHEET NO. 20 OF 30 SHEETS						
FILE NAME	USER NAME	DESIGNED	REVISIONS							P.A. RTE.	SECTION	COUNTY	TOTAL SHEETS	SHEET NO.
		CHECKED	REVISIONS							Various D-4 OVD SIGN STR REPL 11-29	EMERSON	30	20	
PLOT SCALE	DRAWN	REVISIONS	REVISIONS							CONTRACT NO. 46152				
PLOT DATE	CHECKED	REVISIONS	REVISIONS	ILLINOIS FED. AID PROJECT										