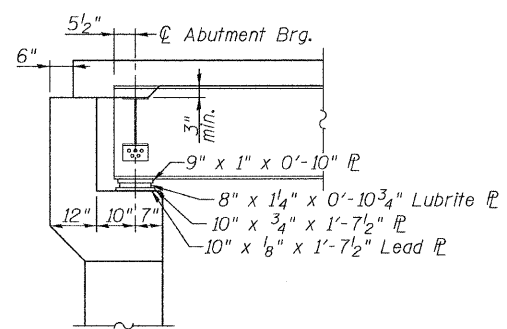
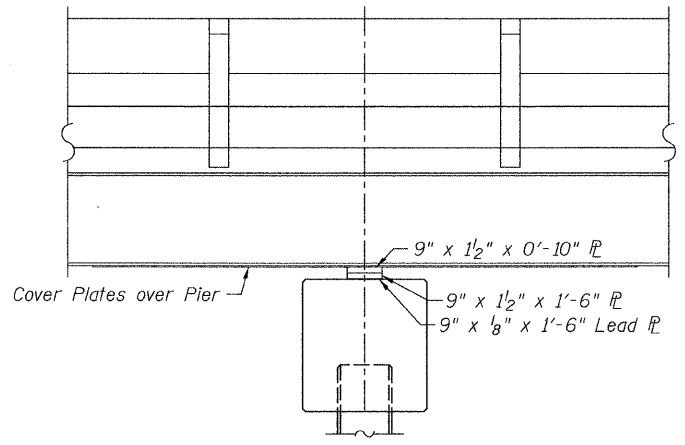


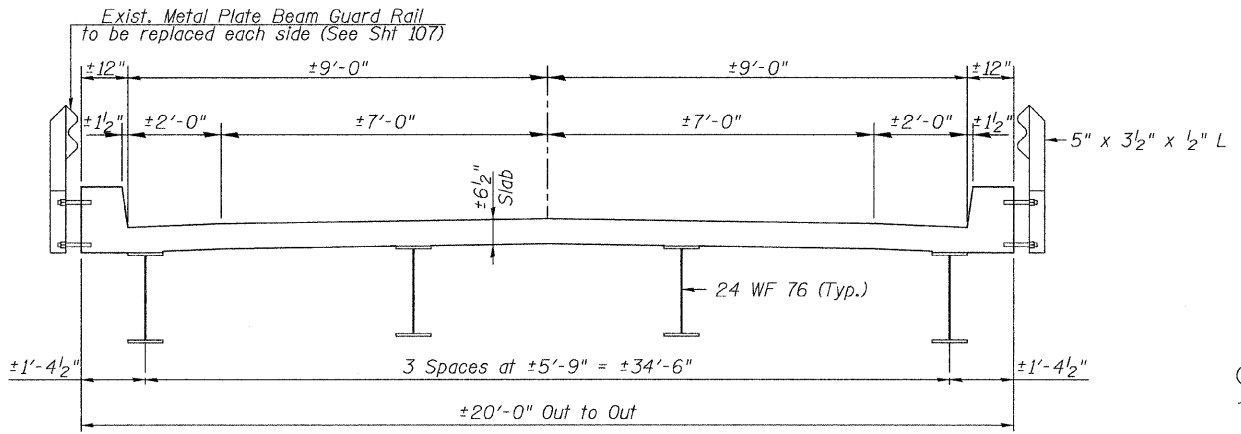
ELEVATION



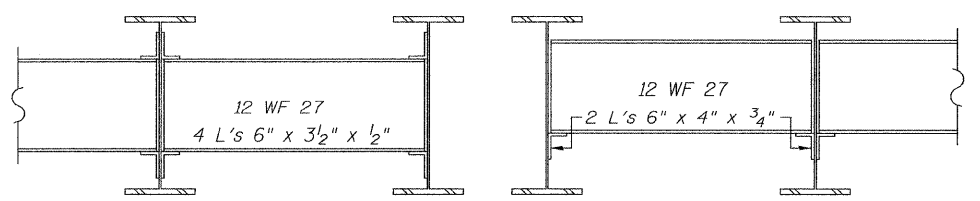
SECTION THRU ABUTMENT



SECTION THRU PIER



CROSS SECTION



INTERIOR DIAPHRAGMS

(9 - Total)

ABUTMENT DIAPHRAGMS

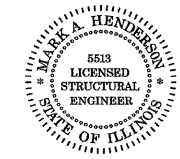
(6 - Total)

SUMMARY OF QUANTITIES

Item	Unit	Quantity
Cleaning and Painting Steel Bridge	L. Sum	1
Containment and Disposal of Lead Paint Cleaning Residues	L. Sum	1

GENERAL NOTES

- Cleaning and painting of the existing structural steel shall be as specified in the special provision for "Cleaning and Painting Existing Steel Structures. All existing steel shall be cleaned per Near White Blast Cleaning - SSPC-SP10. All existing steel shall be painted according to the requirements of Paint System 1 - OZ/E/U. The color of the final finish coat for all interior steel surfaces shall be Gray, Munsell No. 5B 7/1. The color of the final finish coat for the exterior and bottom flange of the fascia beams shall be Gray, Munsell No. 5B 7/1.
- A minimum of 1 air monitor will be required to monitor abrasive blasting operations at this site. See special provisions for Containment and Disposal of Lead Paint Cleaning Residues.
- All steel beams, diaphragms and bearings shall be cleaned and painted. The estimated total area to be painted for the structure is 2490 square feet.



Mark A. Henderson 12/8/2010
Expiration 11/30/2012

PAINTING DETAILS
SPILLWAY BRIDGE
ARGYLE LAKE STATE PARK
McDONOUGH COUNTY

<p>Allen Henderson & Associates, Inc. Civil and Structural Engineers Springfield, IL. 62703 Phone: (217)544-8033 IL Design Firm No. 184-001907</p>	<p>SHEET NO. 1</p> <p>1 SHEETS</p>	<p>RTE.</p>	SECTION	COUNTY	TOTAL SHEETS	SHEET NO.
		*	ARGYLE LAKE STATE PARK	McDONOUGH	162	104
		*	PARK ROADS	CONTRACT NO. 46158		
		FED. ROAD DIST. NO. _	ILLINOIS JOB NO. C-30-055-11			