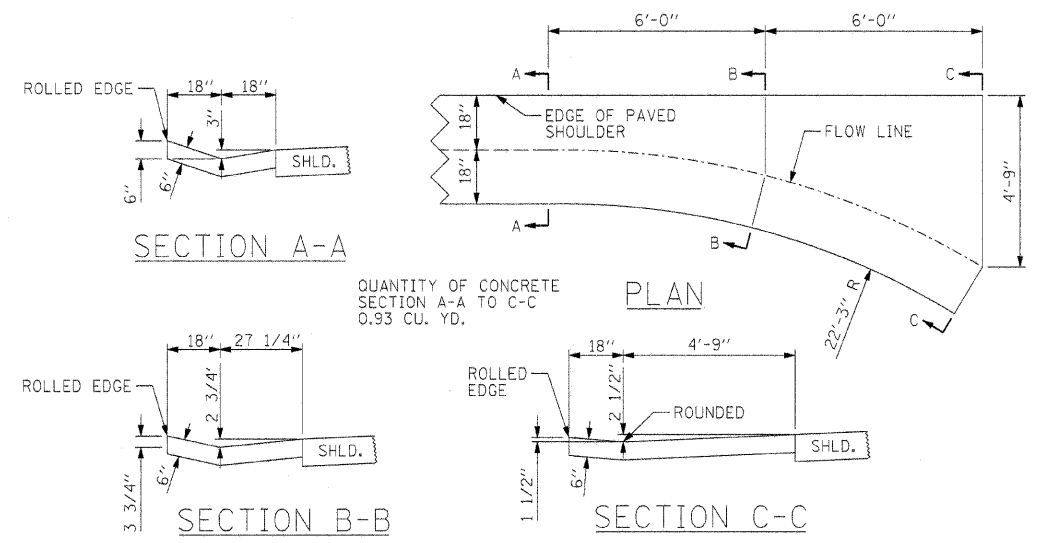


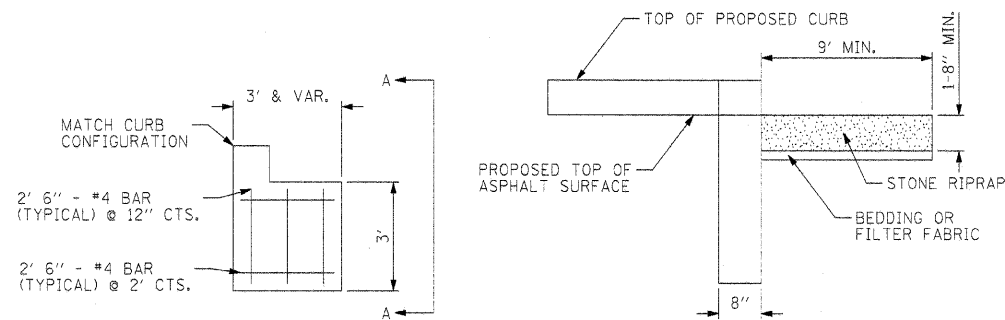
PLUNGE POOL SECTION
NOT TO SCALE



GUTTER INLET
NOT TO SCALE

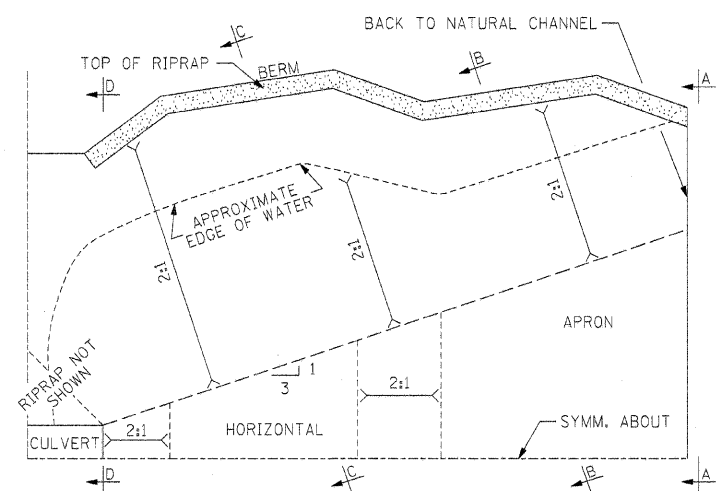
RIPRAP BASIN SIZING

STATION LOCATION	PIPE SIZE	RIPRAP AREA (SQ. YD.)	POOL LENGTH (FEET)	APRON LENGTH (FEET)	DEPTH OF POOL (FEET)	HEIGHT ABOVE INVERT (FEET)	RIPRAP GRAD.	THICK. 1 (FEET)	THICK. 2 (FEET)
RT. 49+08	54"	19 (14.25X12)	8.8		IN LAKE	2.8	RR 5	3.3	2.5
RT. 60+67	24"	7 (10.5X6)	6.9		IN LAKE	1.8	RR 3	1.7	1.3
LT. 57+46	18"	76	6	3	0.6	1.5	RR 3	1.7	1.3
RT. 58+01	38"	8 (9X6)	4.1		IN LAKE	2.9	RR 4	2.5	1.9
RT. 59+47	15"	4	9		IN LAKE	1.1	RR 3	1.7	1.3
RT. 99+79	11x8"	474	33	11	1.7	6.6	RR 6	4.0	2.9
							RR 6	4.0	2.9
RT. 132+28	30"	31	14	4	1.2	1.9	RR 3	1.7	1.3
RT. 135+68	6x5'	123	18	6	0.0	4.7	RR 4	2.5	1.9
RT. 136+99	2@48" EQV	81	15	5	0.0	2.3	RR 4	2.5	1.9
RT. 149+68	2@66"	197	17	10	0.0	4.4	RR 6	4.0	2.9
LT. 151+62	24"	37	15	6	1.3	1.7	RR 3	1.7	1.3
LT. 153+02	24"	10	6	2	0.2	1.4	RR 3	1.7	1.3
RT. 179+46	30"	66	20	10	2.0	1.9	RR 3	1.7	1.3
RT. 249+11	24"	28	12	6	0.8	1.4	RR 3	1.7	1.3
RT. 252+29	2@48"	116	27	5	1.2	3.1	RR 5	3.3	2.5
LT. 265+13	15"	12	6	3	0.4	1.2	RR 3	1.7	1.3

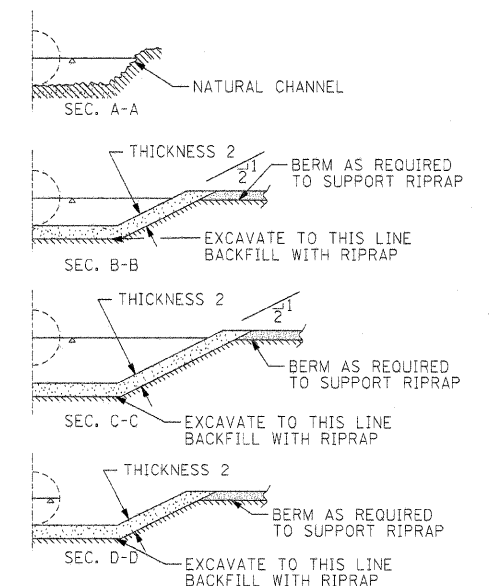


SECTION A-A

CAST-IN-PLACE CONCRETE WALL
NOT TO SCALE



PLUNGE POOL HALF PLAN
NOT TO SCALE



FILE NAME =	USER NAME = #USER#	DESIGNED - R.H.D.	REVISED -
#FILE#		DRAWN - J.T.T.	REVISED -
		CHECKED - T.T.P.	REVISED -
		DATE - 12/09/10	REVISED -

**STATE OF ILLINOIS
DEPARTMENT OF TRANSPORTATION**

**ARGYLE LAKE STATE PARK
DETAILS - RIP RAP**

F.A. RTE.	SECTION	COUNTY	TOTAL SHEETS	SHEET NO.
	ARGYLE LAKE STATE PARK	MCDONOUGH	162	105
CONTRACT NO. 46158				
FED. ROAD DIST. NO. ILLINOIS FED. AID PROJECT				

SCALE: SHEET NO. 105 OF 162 SHEETS STA. TO STA.