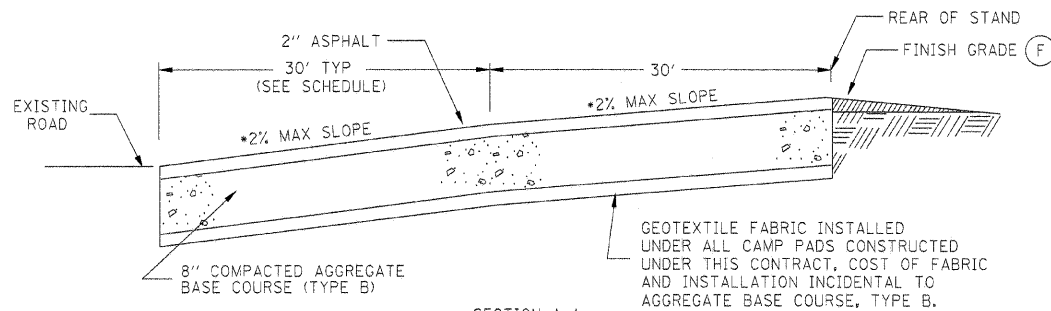
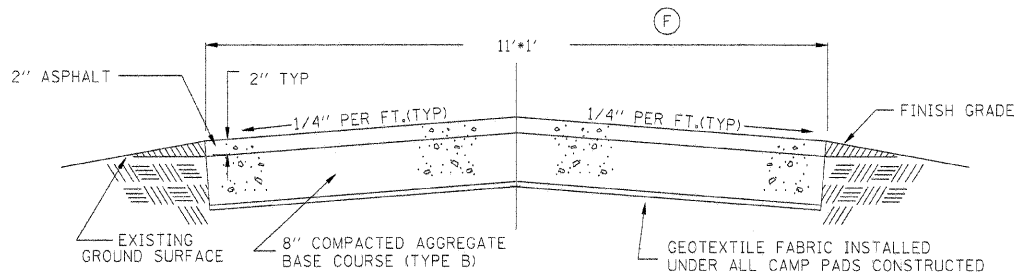


TYPICAL BACK-IN CAMPSITE  
NOT TO SCALE

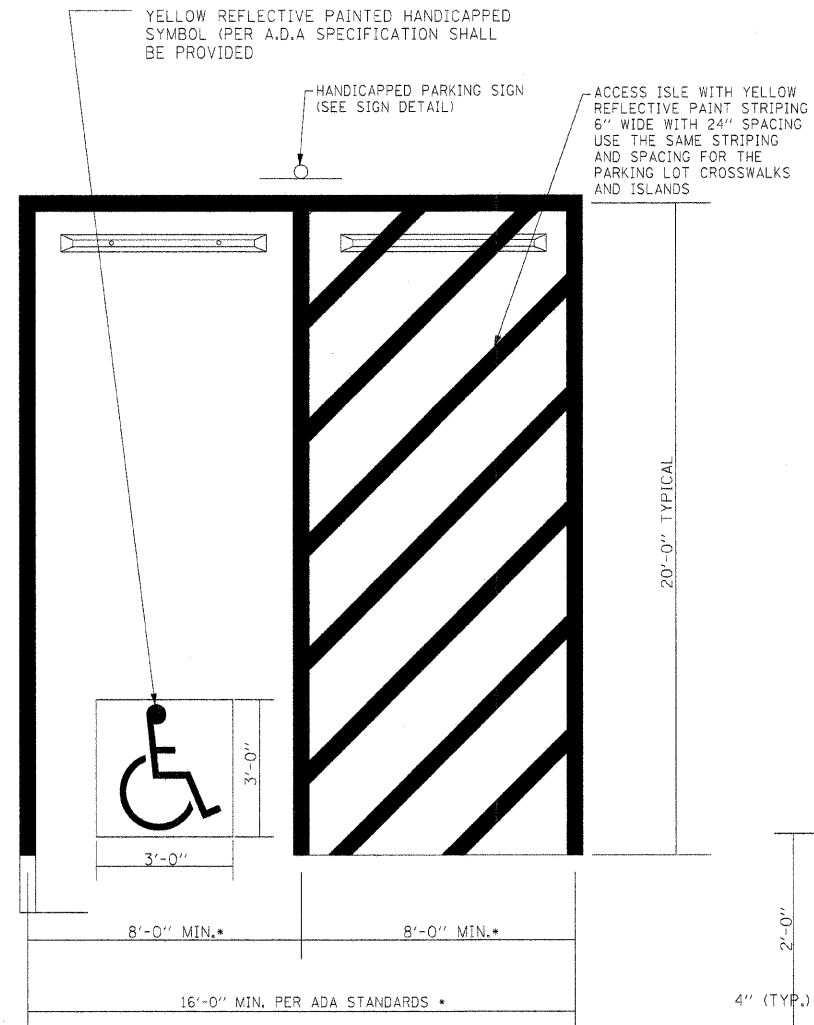
Ⓐ - SEE PLAN SHEETS FOR ARGYLE LAKE STATE PARK PROJECT



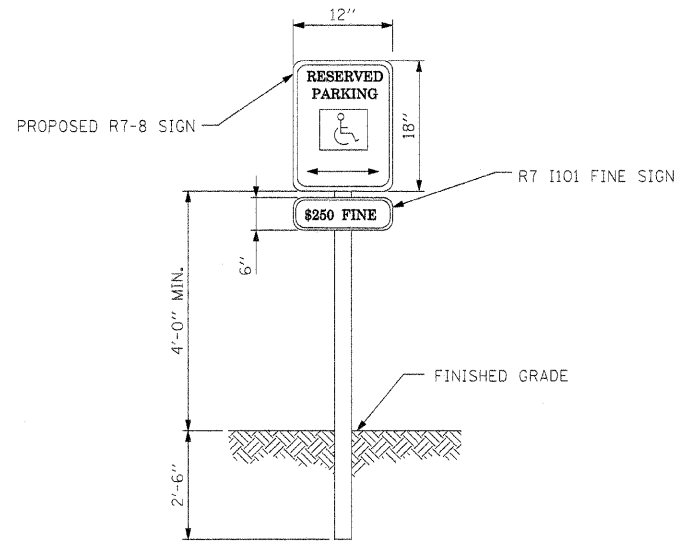
SECTION A-A  
NOT TO SCALE



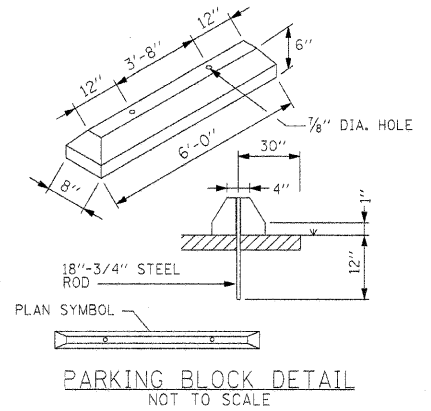
SECTION B-B  
NOT TO SCALE



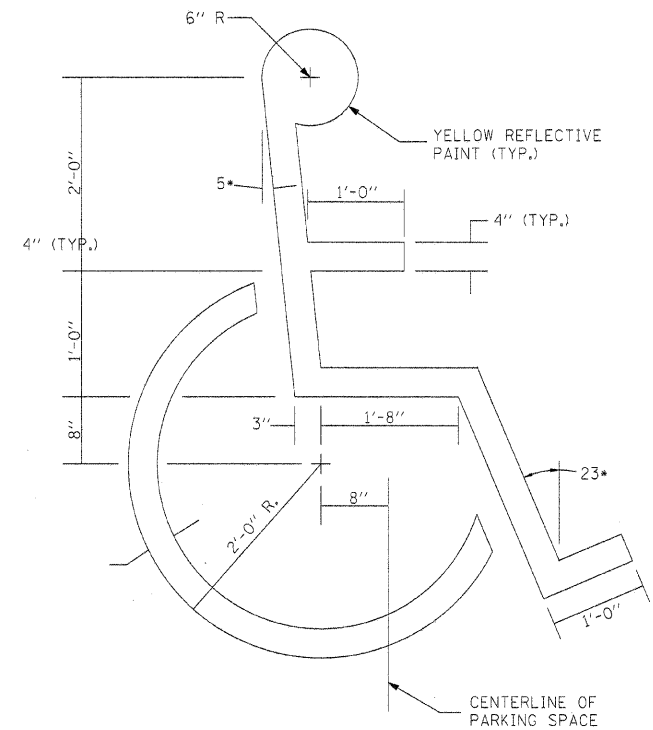
\* SEE PLANS TO VERIFY DIMENSIONS



HANDICAPPED PARKING SIGNS  
NOT TO SCALE



PARKING BLOCK DETAIL  
NOT TO SCALE



HANDICAPPED SYMBOL LAYOUT DETAIL  
NOT TO SCALE

FILE NAME =	USER NAME = #USER#	DESIGNED - R.H.D.	REVISED -
#FILE#		DRAWN - S.D.K.	REVISED -
	PLOT SCALE = #SCALE#	CHECKED - T.T.P.	REVISED -
	PLOT DATE = #DATE#	DATE - 12/09/10	REVISED -

STATE OF ILLINOIS  
DEPARTMENT OF TRANSPORTATION

ARGYLE LAKE STATE PARK  
DETAILS - HANDICAP PARKING

SCALE: 1"=50' SHEET NO. 106 OF 162 SHEETS STA. TO STA.

F.A. RTE.	SECTION	COUNTY	TOTAL SHEETS	SHEET NO.
	ARGYLE LAKE STATE PARK	MCDONOUGH	162	106
CONTRACT NO. 46158				
FED. ROAD DIST. NO.	ILLINOIS FED. AID PROJECT			