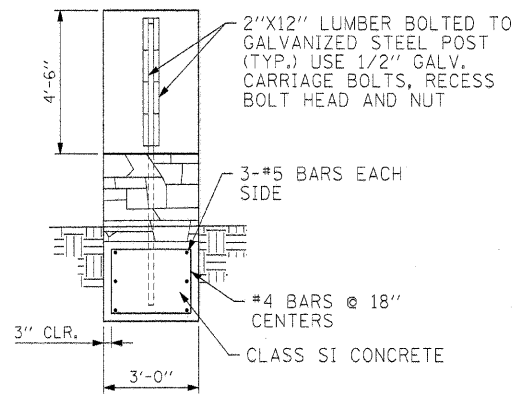
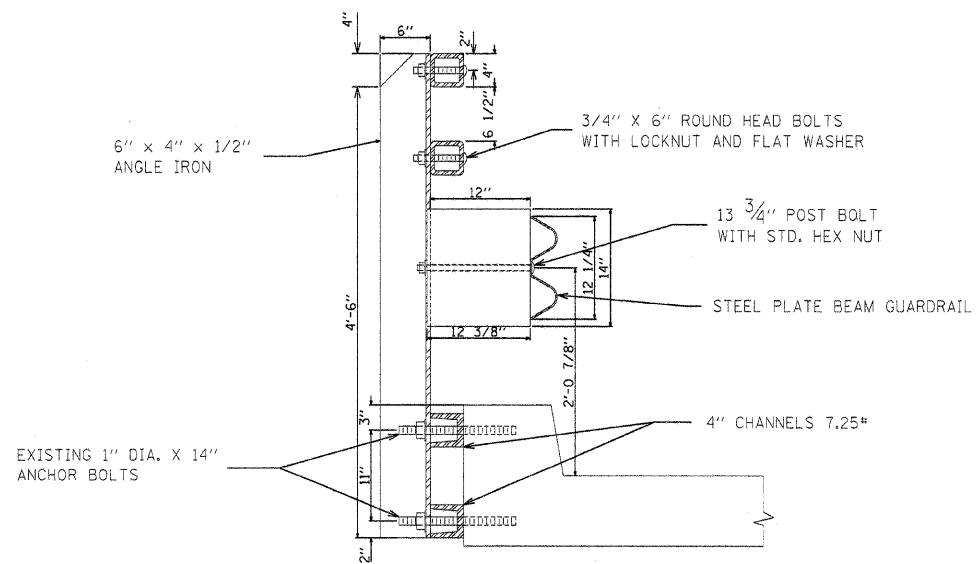


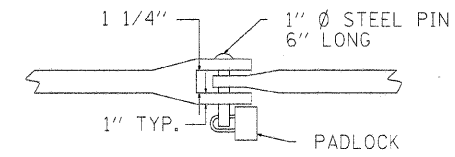
ELEVATION
NOT TO SCALE



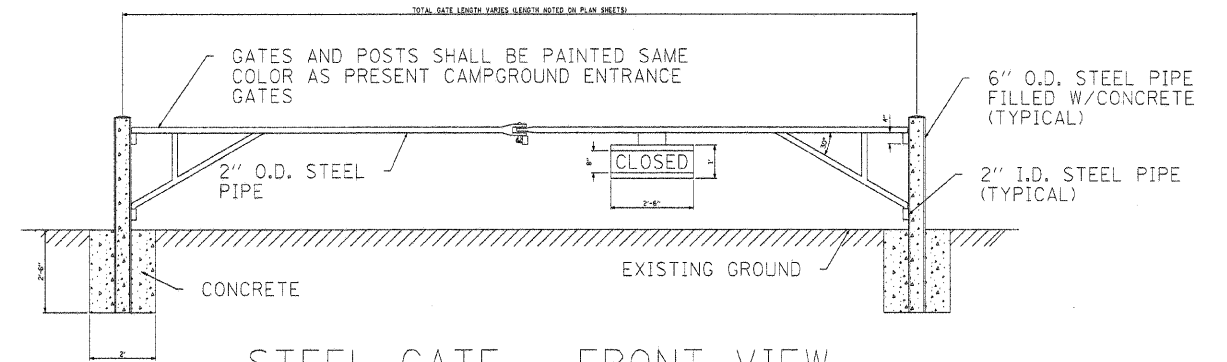
ENTRANCE SIGN
SECTION
NOT TO SCALE



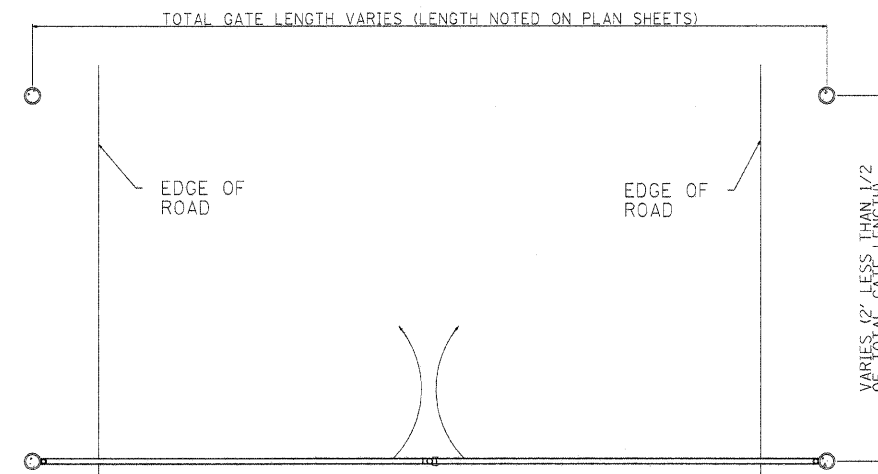
SPILLWAY BRIDGE HANDRAIL - ELEVATION
NOT TO SCALE



STEEL GATE - CATCH DETAIL
NOT TO SCALE



STEEL GATE - FRONT VIEW
NOT TO SCALE



STEEL GATE - TOP VIEW
NOT TO SCALE

FILE NAME =	USER NAME = #USER#	DESIGNED - R.H.D.	REVISED -	STATE OF ILLINOIS DEPARTMENT OF TRANSPORTATION	ARGYLE LAKE STATE PARK DETAILS - SIGN			F.A. RTE.	SECTION	COUNTY	TOTAL SHEETS	SHEET NO.	
#FILE#		DRAWN - J.T.T.	REVISED -		SCALE:	SHEET NO. 107 OF 162 SHEETS	STA.	TO STA.	P.R.	ARGYLE LAKE STATE PARK	MCDONOUGH	162	107
		CHECKED - T.T.P.	REVISED -					CONTRACT NO. 46158					
		DATE - 12/09/10	REVISED -										
					FED. ROAD DIST. NO. ILLINOIS FED. AID PROJECT								