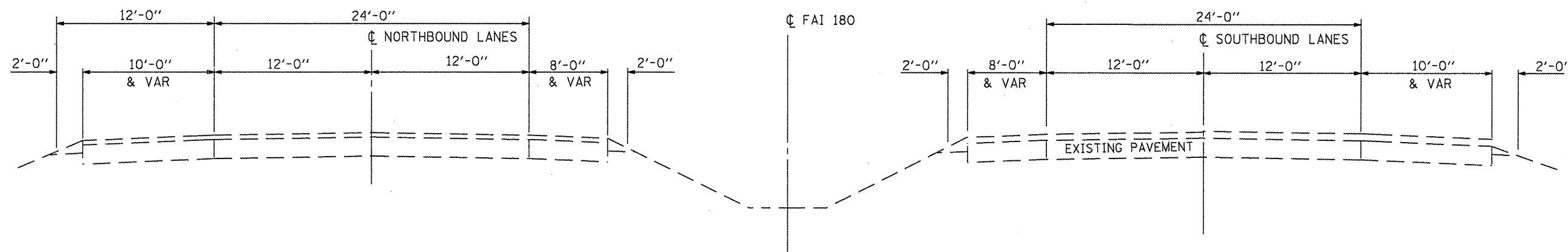


TYPICAL SECTION
LASALLE COUNTY - IL ROUTE 23
LOCATIONS 1 & 2



TYPICAL SECTION
BUREAU COUNTY - FAI ROUTE 180
LOCATIONS 3 - 8

FILE NAME =	USER NAME = woodshankr1	DESIGNED - RON WOODSHANK	REVISED -
c:\pwwork\pwwork\woodshankr1\d0239610	6159-Detals.dgn	DRAWN - RON WOODSHANK	REVISED -
	PLOT SCALE = 1/8" = 1' / IN.	CHECKED -	REVISED -
	PLOT DATE = Nov 05, 2010 - 09:07:28 AM	DATE -	REVISED -

STATE OF ILLINOIS
DEPARTMENT OF TRANSPORTATION

TYPICAL SECTIONS

SCALE: SHEET NO. 1 OF 1 SHEETS STA. TO STA.

F.A.J. RTE.	SECTION	COUNTY	TOTAL SHEETS	SHEET NO.
VAR	D-3 OVD SIN STR REPL 11-34	VAR	16	4
CONTRACT NO. 46159			ILLINOIS	