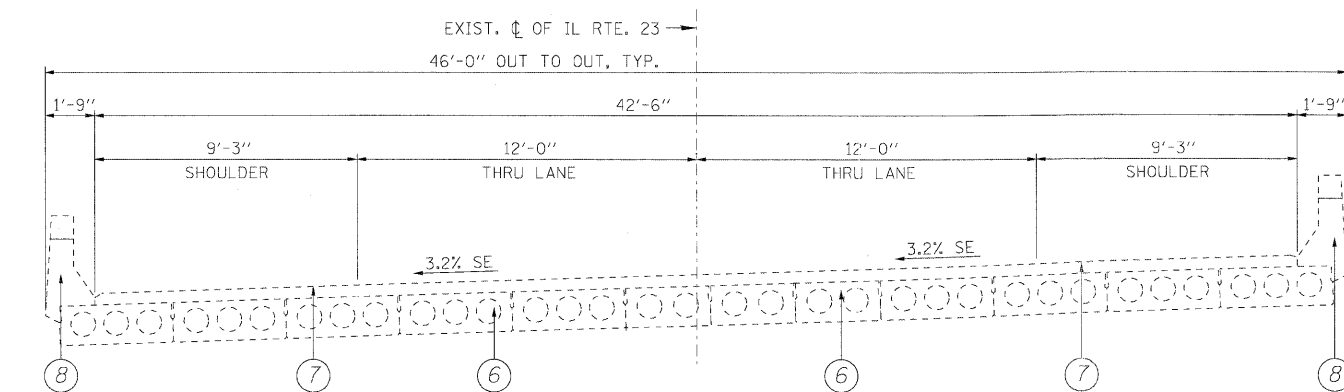
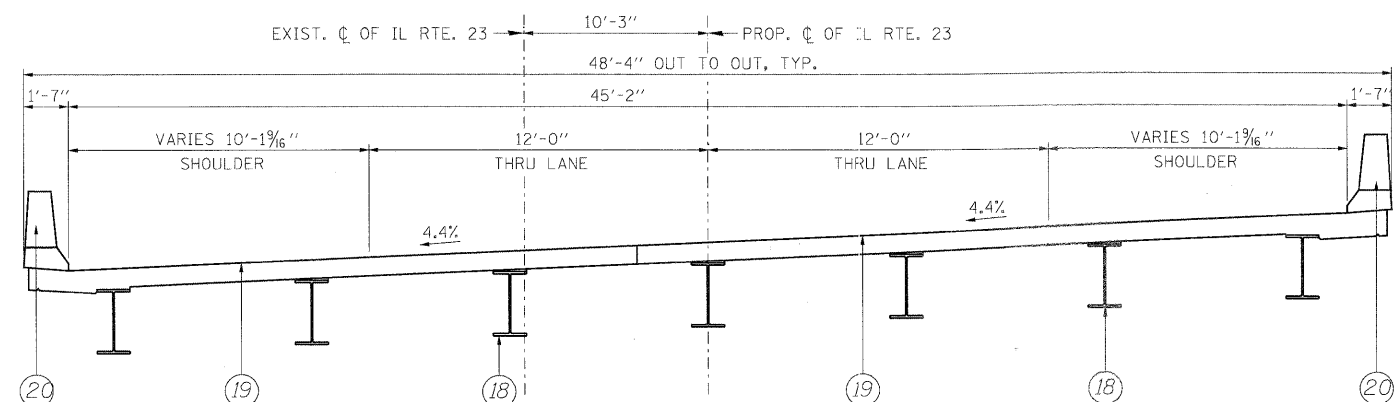


PROPOSED TYPICAL SECTION
 SUPERELEVATED RECONSTRUCTION FACING NORTH
 BEHIND GUARDRAIL
 STA 91+80.00 to 94+64.15
 STA 96+08.17 to 101+00.00

- * GUARDRAIL LIMITS AS SHOWN ON PLANS.
- ** STA. 100+50.00 ONLY (SEE SECTION ON SHEET 5).
- *** POSSIBILITY OF 12" UNDERCUT BETWEEN STA. 100+00 TO 101+00; IF REQUIRED, ADD GEOTECHNICAL FABRIC FOR GROUND STABILIZATION.
- **** CA-16 SHALL BE INCLUDED IN THE SUBBASE GRANULAR MATERIAL TYPE B PAY ITEM.



EXISTING TYPICAL BRIDGE SECTION
 LOOKING NORTH



PROPOSED TYPICAL BRIDGE SECTION
 LOOKING NORTH
 STA 94+64.15 to 96+08.17

LEGEND

- 1 EXIST. BITUMINOUS SURFACE (HMA SURFACE REMOVAL VARIABLE DEPTH)
- 2 EXIST. STABILIZED BASE (BAM)
- 3 EXIST. BITUMINOUS SHOULDER REMOVAL
- 4 EXIST. PCC PAVEMENT, ± 8"
- 5 EXIST. AGGREGATE SHOULDER (VARIABLE DEPTH TO BE REMOVED)
- 6 EXIST. PPC DECK BEAMS
- 7 EXIST. 5" CONCRETE WEARING SURFACE
- 8 EXIST. CONCRETE PARAPET
- 9 PROPOSED HMA SURFACE COURSE, MIX "D", N70, 1 1/2"
- 10 PROPOSED HMA BINDER COURSE, IL-19.0, N70, 2 1/4"
- 11 PROPOSED HMA LEVELING BINDER, MM, N70, 3/4" & VARIES
- 12 PROPOSED HMA SHOULDER, 6"
- 13 PROPOSED AGGREGATE WEDGE SHOULDER, TYPE B, 6"
- 14 PROPOSED HMA BASE COURSE, IL-19.0, 10"
- 15 PROPOSED AGGREGATE SUBGRADE, 12"
- 16 PROPOSED STEEL PLATE BEAM GUARDRAIL, TYPE A (6 FOOT POSTS)
- 17 PROPOSED COMPOST FURNISH AND PLACE, 4"
- 18 PROPOSED W27 STEEL BEAMS
- 19 PROPOSED 8" P.C. CONCRETE DECK
- 20 PROPOSED P.C. CONCRETE PARAPETS, PAID AS CONCRETE SUPERSTRUCTURE
- 21 POROUS GRANULAR EMBANKMENT
- 22 TEMPORARY CONCRETE BARRIER
- 23 WET REFLECTIVE TEMPORARY TAPE, TYPE III, 4"
- 24 RELOCATE TEMPORARY CONCRETE BARRIER
- ** 25 PIPE UNDERDRAINS 4"
- 26 CONCRETE HEADWALLS FOR PIPE DRAINS
- *** 27 POROUS GRANULAR EMBANKMENT, SUBGRADE
- 28 PROPOSED HMA SURFACE COURSE, MIX "D", N70, 2"
- **** 29 CA-16
- ** 30 PIPE UNDERDRAINS 4" (SPECIAL)

EARTHWORK						
STAGE	LOCATION	EARTH EXCAVATION CU YD	ADJ. EXCAVATION 15% CU YD	REMOVAL AND DISPOSAL OF UNSUITABLE MATERIAL CU YD	EMBANKMENT CU YD	EARTHWORK BALANCE WASTE (+) OR SHORTAGE (-) CU YD
1	STA. 88+00 to 94+50	79	67	337	1467	-1400
2	STA. 88+00 to 94+50	83	70.5	109	568	-497.5
1	STA. 96+50 to 103+55	168	143	295	1073	-930
2	STA. 96+50 to 103+55	197	167.5	127	612	-444.5
	TOTAL	527	448	868	3720	-3272