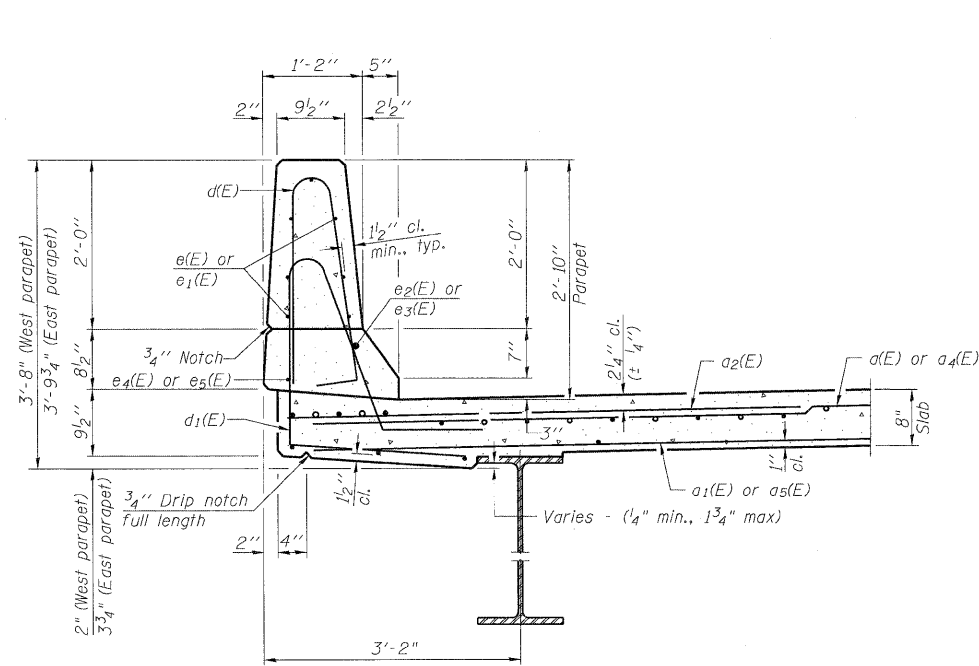
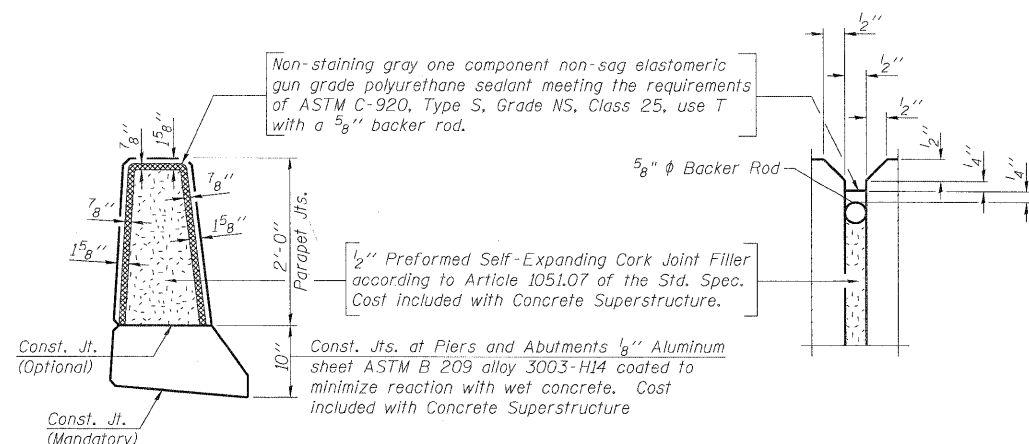


INSIDE ELEVATION OF PARAPET



SECTION THRU PARAPET
(West parapet shown, east parapet similar)



PARAPET JOINT DETAILS

LEGEND

FF = Front Face
BF = Back Face

MINIMUM BAR LAP

#4 bar = 2'-0"
#8 bar = 5'-2"

NOTES

See sheet 13 of 26 for reinforcement bar details and Bill of Material.
Bars indicated this 1 x 3 - #5 etc. indicates 1 line of bars with 3 lengths per line.