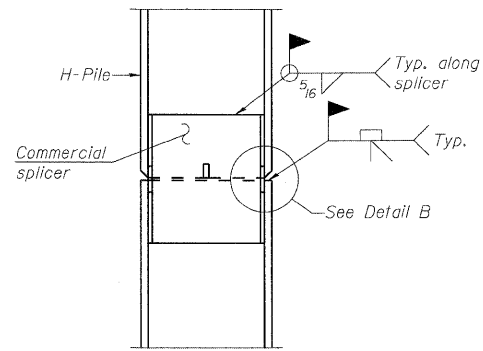
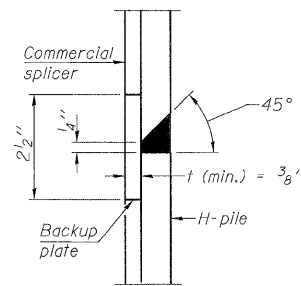


STEEL PILE TABLE

| Designation | Depth <i>d</i> | Flange width <i>b_f</i> | Web and Flange thickness <i>t</i> | Encasement diameter <i>A</i> |
|-------------|----------------|-----------------------------------|-----------------------------------|------------------------------|
| HP 14x117 | 14 1/4" | 14 7/8" | 1 1/8" | 30" |
| x102 | 14" | 14 3/4" | 1 1/8" | 30" |
| x89 | 13 7/8" | 14 3/4" | 5/8" | 30" |
| x73 | 13 5/8" | 14 5/8" | 1/2" | 30" |
| HP 12x84 | 12 1/4" | 12 1/4" | 1 1/8" | 24" |
| x74 | 12 1/8" | 12 1/4" | 5/8" | 24" |
| x63 | 12" | 12 1/8" | 1/2" | 24" |
| x53 | 11 3/4" | 12" | 7/16" | 24" |
| HP 10x57 | 10" | 10 1/4" | 9/16" | 24" |
| x42 | 9 3/4" | 10 1/8" | 7/16" | 24" |
| HP 8x36 | 8" | 8 1/8" | 7/16" | 18" |

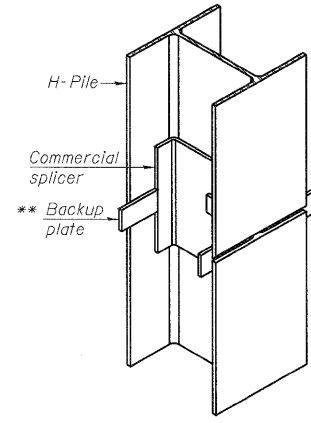


ELEVATION

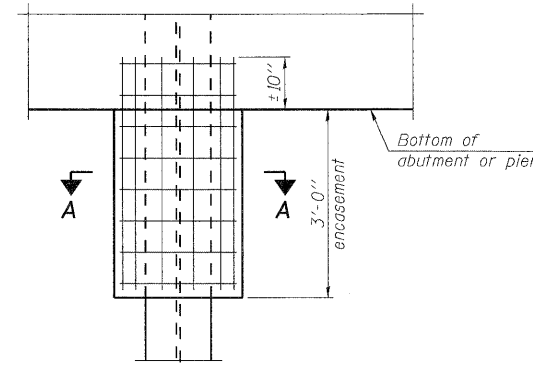


DETAIL "B"

WELDED COMMERCIAL SPLICE

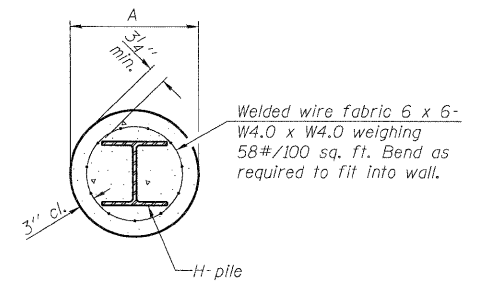


ISOMETRIC VIEW



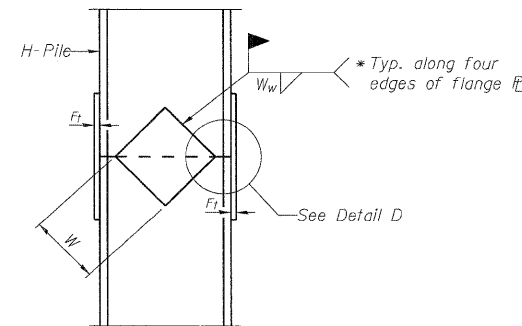
ELEVATION

PILE ENCASEMENT

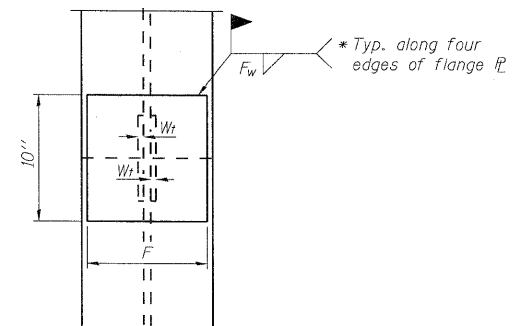


SECTION A-A

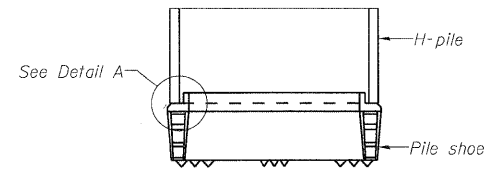
Note:
Forms for encasement may be omitted when soil conditions permit.



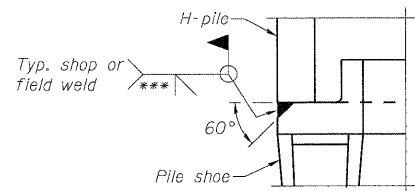
ELEVATION



END VIEW

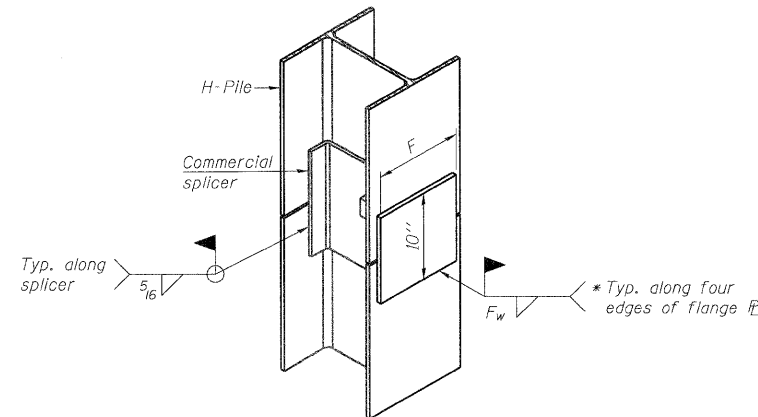


ELEVATION



DETAIL A

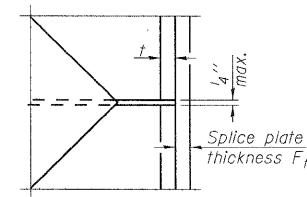
H-PILE SHOE ATTACHMENT



ISOMETRIC VIEW

WELDED COMMERCIAL SPLICE ALTERNATE

- * Interrupt welds 1/4" from end of web and/or each flange.
- ** Remove portions of backup plates that extend outside the flanges.
- *** Weld size per pile shoe manufacturer (5/16" min.).



DETAIL D

WELDED PLATE FIELD SPLICE

| Designation | F | F _t | F _w | W | W _t | W _w |
|-------------|---------|----------------|----------------|--------|----------------|----------------|
| HP 14x117 | 12 1/2" | 1" | 7/8" | 7 3/4" | 5 8/8" | 1/2" |
| x102 | 12 1/2" | 7/8" | 3/4" | 7 3/4" | 5 8/8" | 1/2" |
| x89 | 12 1/2" | 3/4" | 1/16" | 7 3/4" | 5 8/8" | 1/2" |
| x73 | 12 1/2" | 5/8" | 9/16" | 7 3/4" | 5 8/8" | 1/2" |
| HP 12x84 | 10" | 7/8" | 1/16" | 6 1/2" | 5 8/8" | 1/2" |
| x74 | 10" | 7/8" | 1/16" | 6 1/2" | 5 8/8" | 1/2" |
| x63 | 10" | 5/8" | 1/2" | 6 1/2" | 1/2" | 3/8" |
| x53 | 10" | 5/8" | 1/2" | 6 1/2" | 1/2" | 3/8" |
| HP 10x57 | 8" | 3/4" | 9/16" | 5 1/4" | 1/2" | 3/8" |
| x42 | 8" | 5/8" | 9/16" | 5 1/4" | 1/2" | 3/8" |
| HP 8x36 | 7" | 5/8" | 7/16" | 4 1/4" | 1/2" | 3/8" |

Note:
The steel H-piles shall be according to AASHTO M270 Grade 50.

F-HP 7-1-10

LOCO, INC.
CONSULTING ENGINEERS
1560 WALL ST., SUITE 222
NAPERVILLE, ILLINOIS 60563 PH: (630) 577-9100

DESIGNED - SLV
CHECKED - MJM
DRAWN - SLV
CHECKED - DJB

REVISED -
REVISED -
REVISED -
REVISED -

**STATE OF ILLINOIS
DEPARTMENT OF TRANSPORTATION**

**HP PILE DETAILS
STRUCTURE NO. 056-0277**

SHEET NO. 22 OF 26 SHEETS

| F.A.P. RTE. | SECTION | COUNTY | TOTAL SHEETS | SHEET NO. |
|---------------------------|---------|--------------------|--------------|-----------|
| 324 | 24B-2 | McHENRY | 76 | 50 |
| D-91-178-09 | | CONTRACT NO. 60F64 | | |
| ILLINOIS FED. AID PROJECT | | | | |