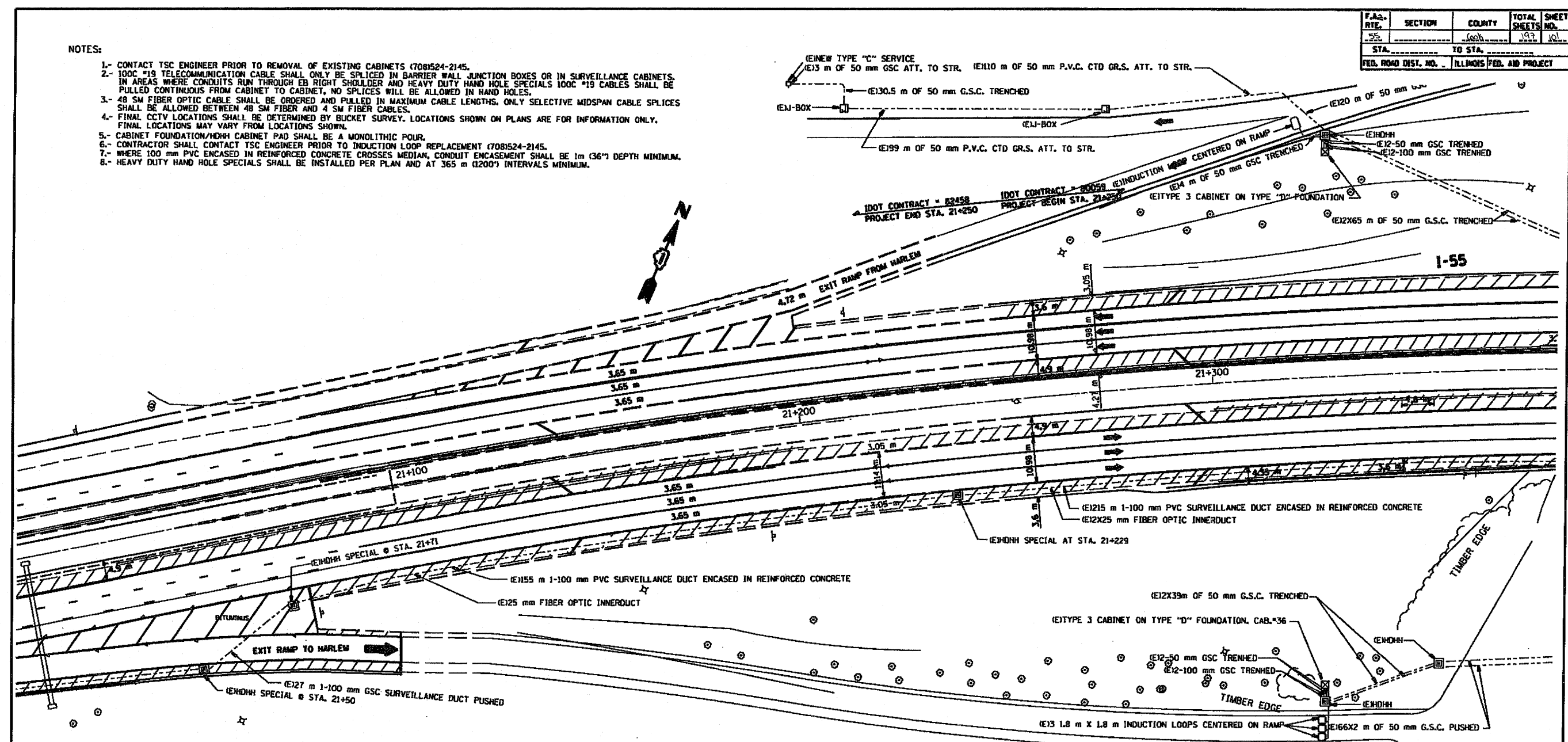


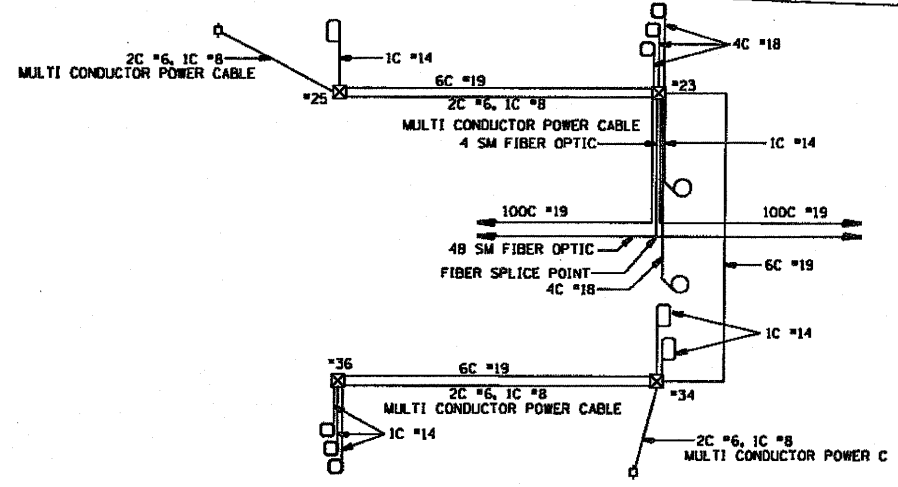
F.A.S. RTE.	SECTION	COUNTY	TOTAL SHEETS	SHEET NO.
55		COOK	107	101
STA. TO STA.		ILLINOIS FED. AID PROJECT		
FED. ROAD DIST. NO.				

**NOTES:**

- 1- CONTACT TSC ENGINEER PRIOR TO REMOVAL OF EXISTING CABINETS (7081524-2145).
- 2- 100C #19 TELECOMMUNICATION CABLE SHALL ONLY BE SPLICED IN BARRIER WALL JUNCTION BOXES OR IN SURVEILLANCE CABINETS. IN AREAS WHERE CONDUITS RUN THROUGH EB RIGHT SHOULDER AND HEAVY DUTY HAND HOLE SPECIALS 100C #19 CABLES SHALL BE PULLED CONTINUOUS FROM CABINET TO CABINET, NO SPLICES WILL BE ALLOWED IN HAND HOLES.
- 3- 48 SM FIBER OPTIC CABLE SHALL BE ORDERED AND PULLED IN MAXIMUM CABLE LENGTHS. ONLY SELECTIVE MIDSPAN CABLE SPLICES SHALL BE ALLOWED BETWEEN 48 SM FIBER AND 4 SM FIBER CABLES.
- 4- FINAL CCTV LOCATIONS SHALL BE DETERMINED BY BUCKET SURVEY. LOCATIONS SHOWN ON PLANS ARE FOR INFORMATION ONLY. FINAL LOCATIONS MAY VARY FROM LOCATIONS SHOWN.
- 5- CABINET FOUNDATION/HDDH CABINET PAD SHALL BE A MONOLITHIC POUR.
- 6- CONTRACTOR SHALL CONTACT TSC ENGINEER PRIOR TO INDUCTION LOOP REPLACEMENT (7081524-2145).
- 7- WHERE 100 mm PVC ENCASED IN REINFORCED CONCRETE CROSSES MEDIAN, CONDUIT ENCASUREMENT SHALL BE 1m (36") DEPTH MINIMUM.
- 8- HEAVY DUTY HAND HOLE SPECIALS SHALL BE INSTALLED PER PLAN AND AT 365 m (1200') INTERVALS MINIMUM.



SYMBOL	LEGEND
□	INDUCTION LOOP
○	ROUND INDUCTION LOOP
■	TSC CABINET
◇	TELEPHONE SERVICE
□	SERVICE INSTALLATION
□	JUNCTION BOX
■	HEAVY DUTY HAND HOLE
---	POLYETHYLENE DUCT
---	GALVANIZED STEEL CONDUIT
(E)	EXISTING
(P)	PROPOSED
(I)	INSTALL
(R)	REMOVE



WIRING DIAGRAM HARLEM AVE. INTERCHANGE

FOR INFORMATION ONLY

REVISIONS	
NAME	DATE

ILLINOIS DEPARTMENT OF TRANSPORTATION  
TRAFFIC SYSTEMS CENTER

23

SCALE: 1:500  
DATE: 3-99

DRAWN BY: G.J.L.  
CHECKED BY: D.L.

RD-C1 PROJECTS TSC SUPPLY-EE METSHEE2.DGN  
RF: P27690ADJ.DGN