

F.A.S. RITE.	SECTION	COUNTY	TOTAL SHEETS NO.	SHEET NO.
		COOK	197	128
STA.		TO STA.		
FED. ROAD DIST. NO. .		ILLINOIS FED. AID PROJECT		

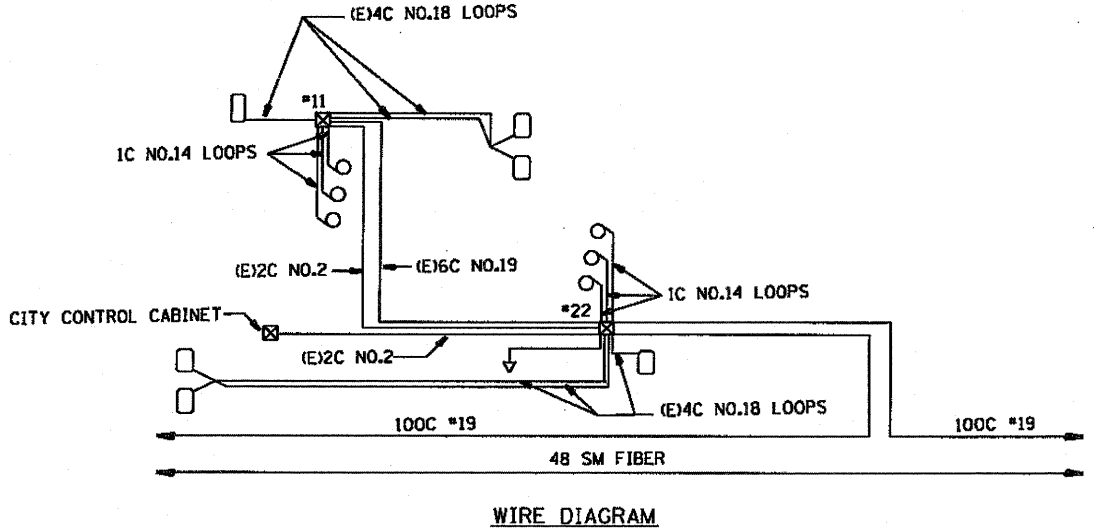
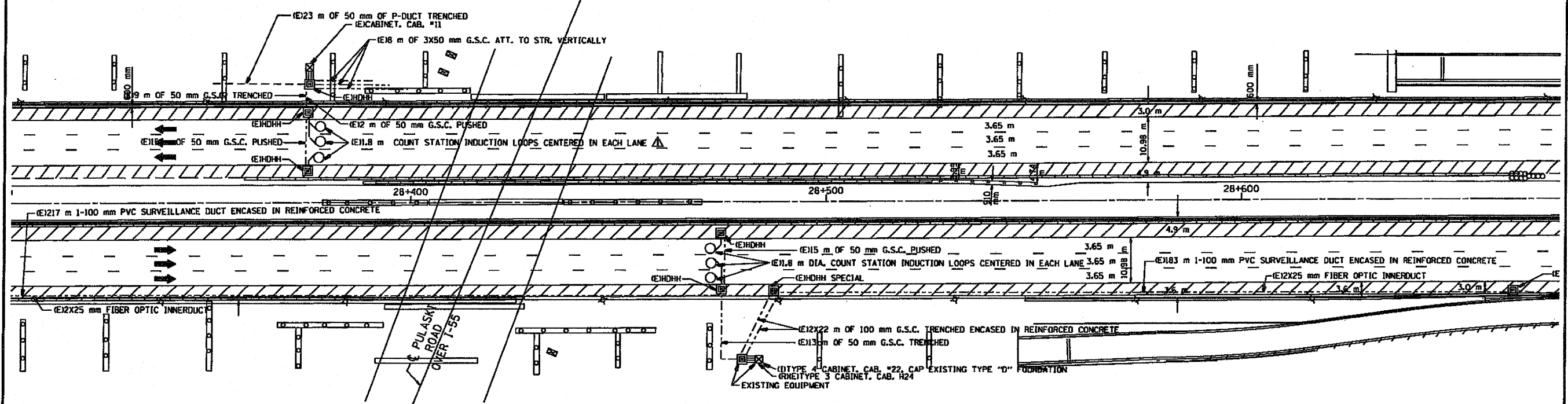
NOTES:

- 1- CONTACT TSC ENGINEER PRIOR TO REMOVAL OF EXISTING CABINETS (708)524-2145.
- 2- 100C #19 TELECOMMUNICATION CABLE SHALL ONLY BE SPLICED IN BARRIER WALL JUNCTION BOXES OR IN SURVEILLANCE CABINETS. IN AREAS WHERE CONDUITS RUN THROUGH EB RIGHT SHOULDER AND HEAVY DUTY HAND HOLE SPECIALS 100C #19 CABLES SHALL BE PULLED CONTINUOUS FROM CABINET TO CABINET, NO SPLICES WILL BE ALLOWED IN HAND HOLES.
- 3- 48 SM FIBER OPTIC CABLE SHALL BE ORDERED AND PULLED IN MAXIMUM CABLE LENGTHS. ONLY SELECTIVE MIDSPAN CABLE SPLICES SHALL BE ALLOWED BETWEEN 48 SM FIBER AND 4 SM FIBER CABLES.
- 4- FINAL CCTV LOCATIONS SHALL BE DETERMINED BY BUCKET SURVEY. LOCATIONS SHOWN ON PLANS ARE FOR INFORMATION ONLY. FINAL LOCATIONS MAY VARY FROM LOCATIONS SHOWN.
- 5- CABINET FOUNDATION/HDH CABINET PAD SHALL BE A MONOLITHIC POUR.
- 6- CONTRACTOR SHALL CONTACT TSC ENGINEER PRIOR TO INDUCTION LOOP REPLACEMENT (708)524-2145.
- 7- WHERE 100 mm PVC ENCASED IN REINFORCED CONCRETE CROSSES MEDIAN, CONDUIT ENCASUREMENT SHALL BE 1m (36") DEPTH MINIMUM.
- 8- HEAVY DUTY HAND HOLE SPECIALS SHALL BE INSTALLED PER PLAN AND AT 365 m (1200') INTERVALS MINIMUM.



GPS 41° 49.388 41.8231
87° 43.484 87.7247

GPS 41° 49.394 41.8232
87° 43.388 87.7231



SYMBOL	LEGEND
□	INDUCTION LOOP
○	ROUND INDUCTION LOOP
■	TSC CABINET
○	TELEPHONE SERVICE
□	SERVICE INSTALLATION
■	JUNCTION BOX
■	HEAVY DUTY HAND HOLE
---	POLYETHYLENE DUCT
---	GALVANIZED STEEL CONDUIT
(E)	EXISTING
(P)	PROPOSED
(I)	INSTALL
(R)	REMOVE

FOR INFORMATION ONLY

REVISIONS	
NAME	DATE
RL	4-00

ILLINOIS DEPARTMENT OF TRANSPORTATION
TRAFFIC SYSTEMS CENTER

2

SCALE: 1:500
DATE 3-99

DRAWN BY G.M.
CHECKED BY T.D.

RD-C: PROJECTS TSC 550PR-4E, METSHEE1.DGN
RF-4550PR-4E, P216904E.DGN