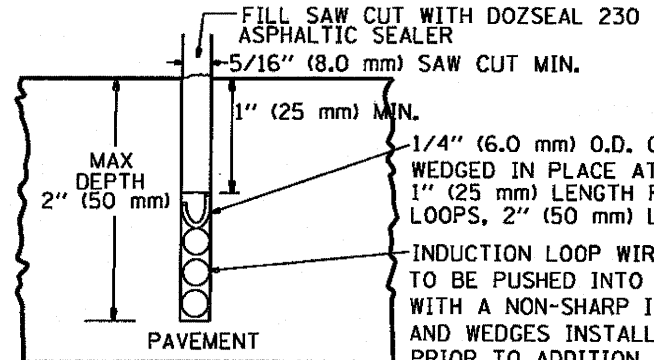
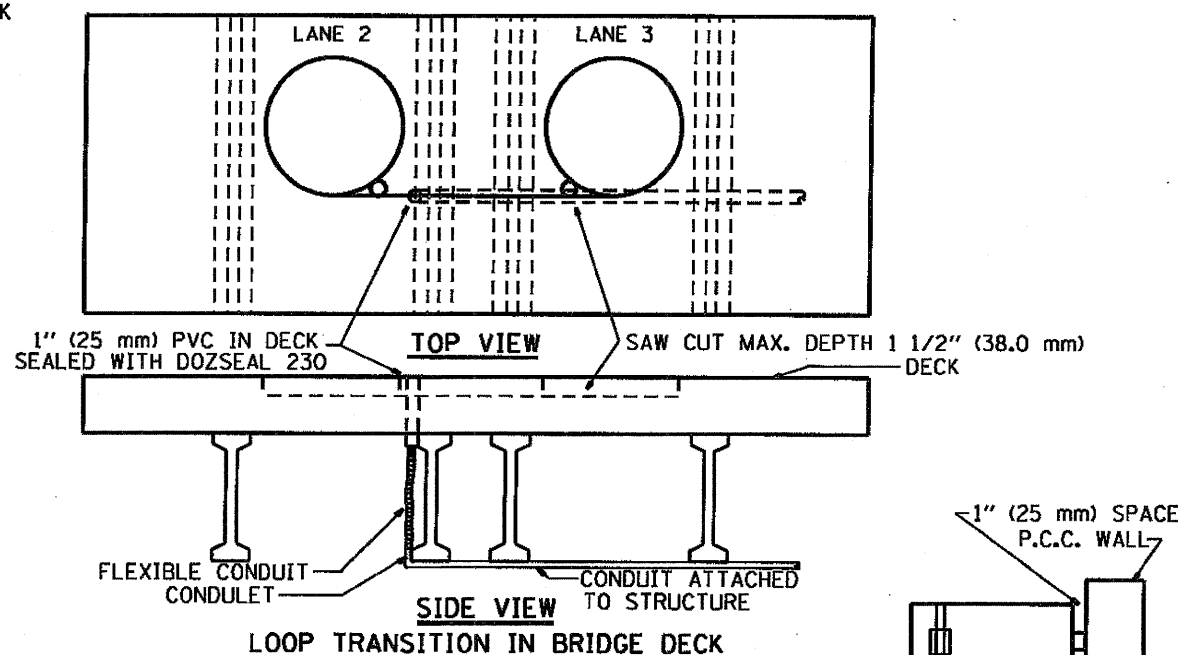
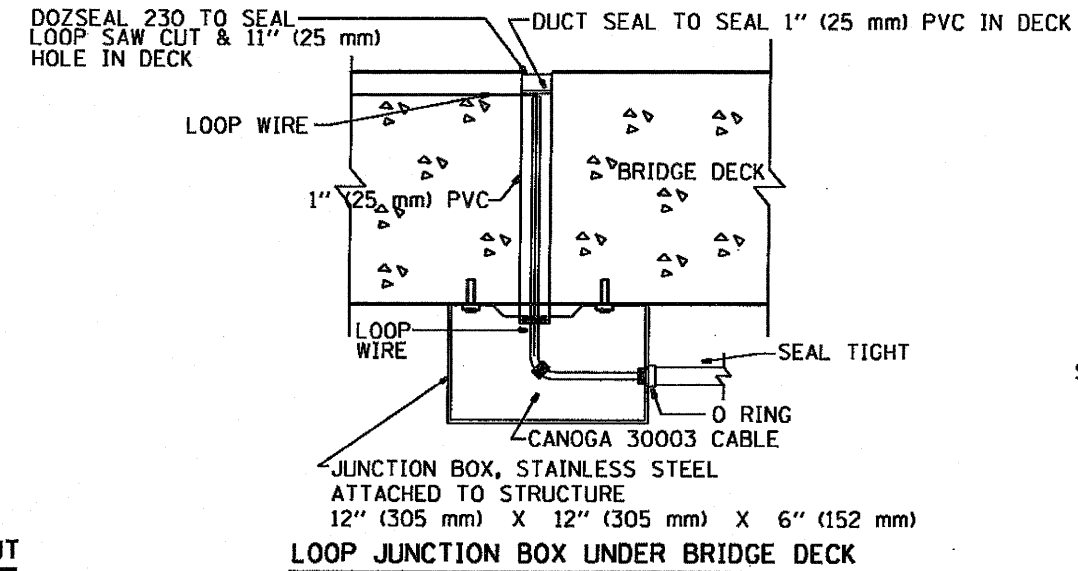
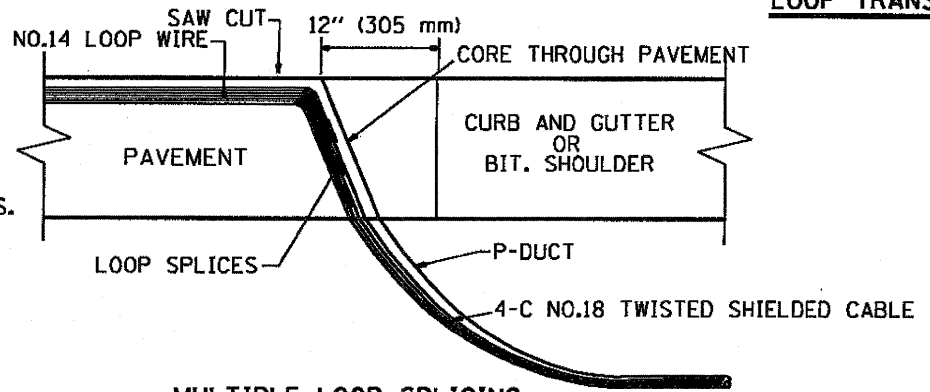


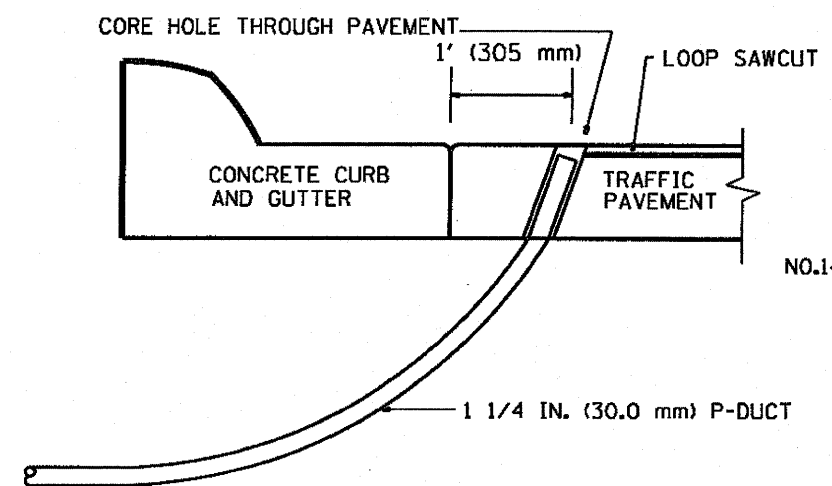
TYPICAL LOOP SAWCUT LAYOUT



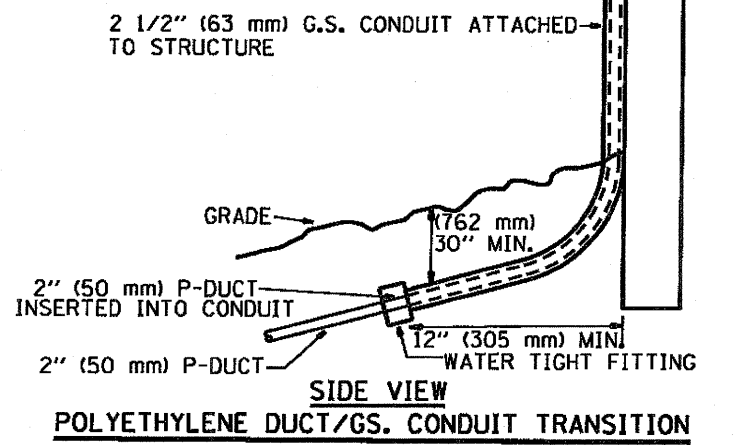
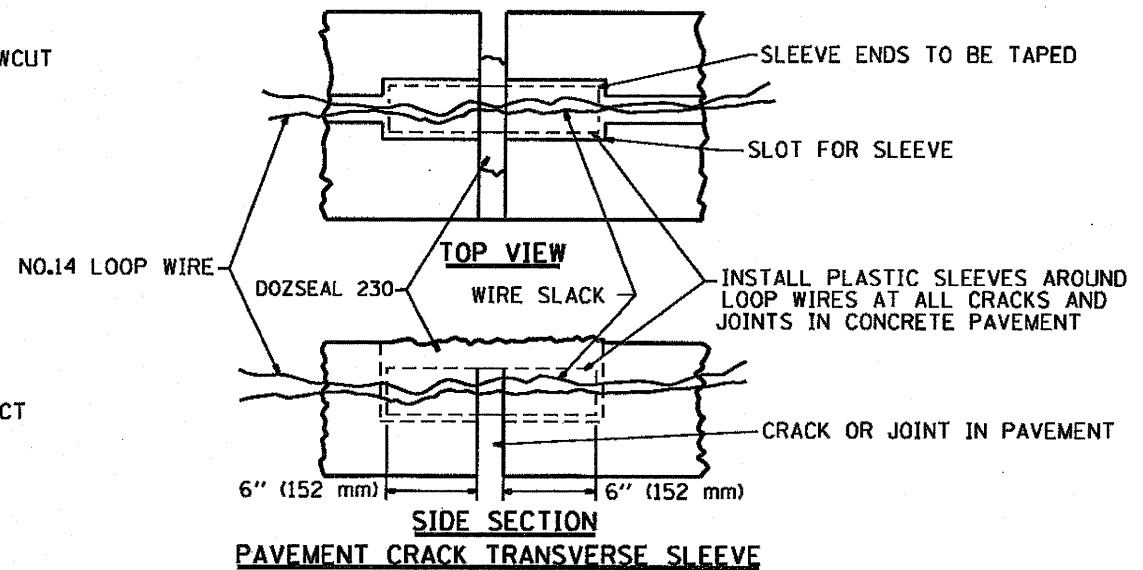
LOOP CROSS SECTION IN PAVEMENT



MULTIPLE LOOP SPLICING



SIDE SECTION LOOP LEAD-IN TRANSITION DETAIL



FILE NAME = CA\Projects\TSC\TYPICALS\TSC-TYP08.dgn	USER NAME = mazog	DESIGNED - RL	REVISED - 06/94	STATE OF ILLINOIS DEPARTMENT OF TRANSPORTATION TRAFFIC SYSTEMS CENTER	LOOP, CONDUIT & DUCT INSTALLATION DETAILS	F.A.2. RITE	SECTION	COUNTY	TOTAL SHEETS	SHEET NO.
PLOT SCALE = 1/8" = 1'-0"	DRAWN - G.M.	REVISED - 03/95	55			(1002-241-000-0000) 05-3	Cook	193	141	
PLOT DATE = 12/2/2010	CHECKED - RL	REVISED - 11/95	CONTRACT NO. 60204							
	DATE - 06/22/94	REVISED - 10/96	FED. ROAD DIST. NO. [BLANK] FED. AID PROJECT							