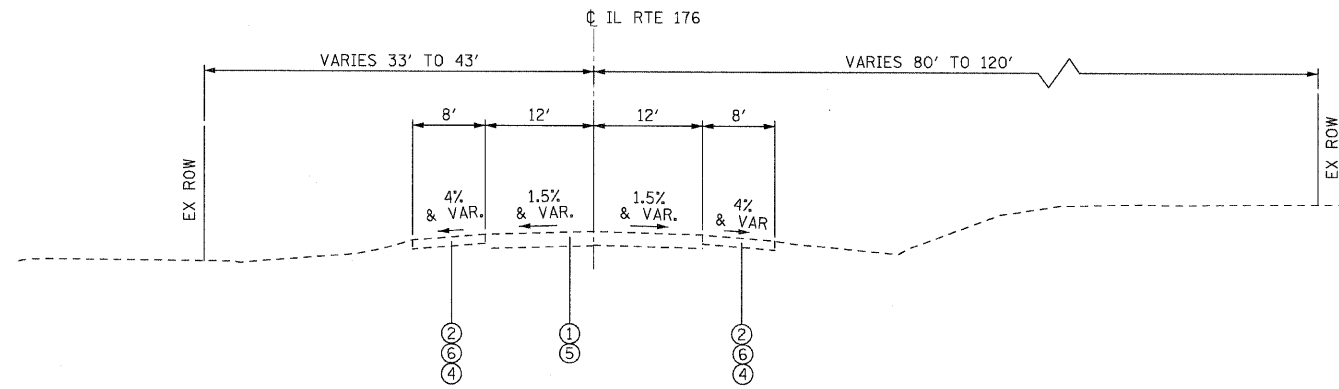


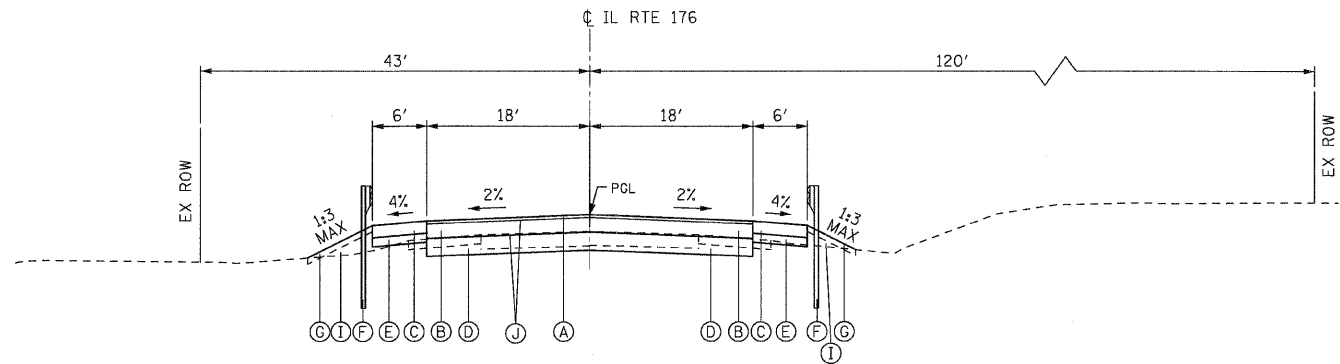
DATE	
BY	
DESIGNED	
DRAWN	
CHECKED	
DATE	
PLAN	
NOTE BOOK	
NO.	

DATE	
BY	
DESIGNED	
DRAWN	
CHECKED	
DATE	
PLAN	
NOTE BOOK	
NO.	



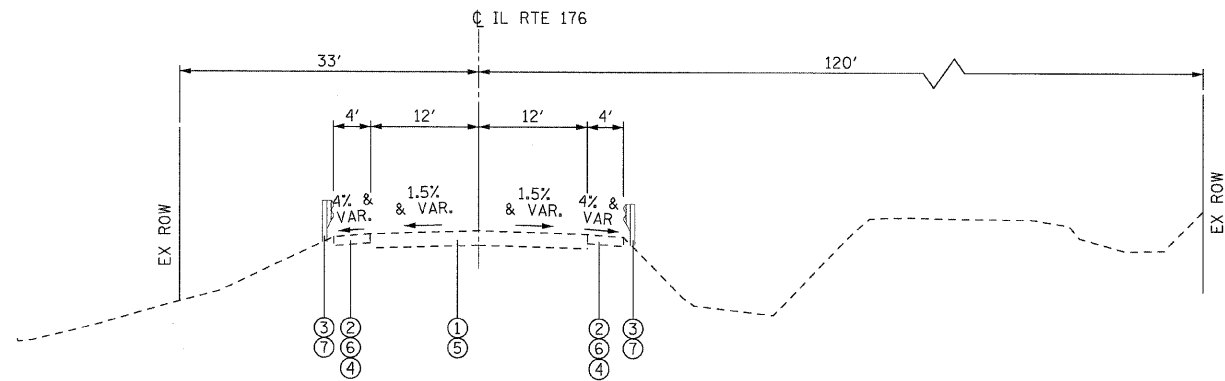
EXISTING TYPICAL SECTION

STA. 1151+00 TO STA. 1158+00
STA. 1161+00 TO STA. 1163+00



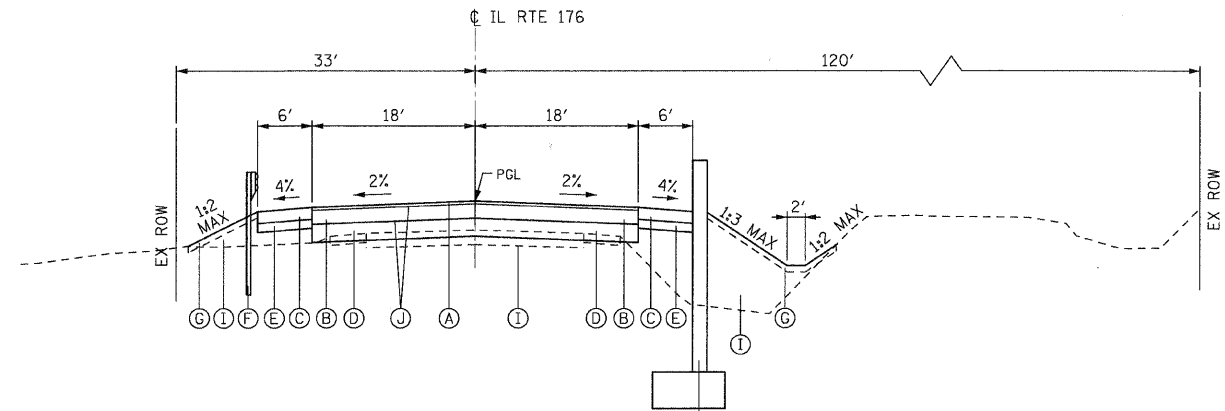
PROPOSED TYPICAL SECTION

STA. 1157+50 TO STA. 1158+70



EXISTING TYPICAL SECTION

STA. 1158+00 TO STA. 1161+00



PROPOSED TYPICAL SECTION

STA. 1158+70 TO STA. 1159+09

STA. 1158+09 TO STA. 1159+63
(SEE STRUCTURAL PLANS)

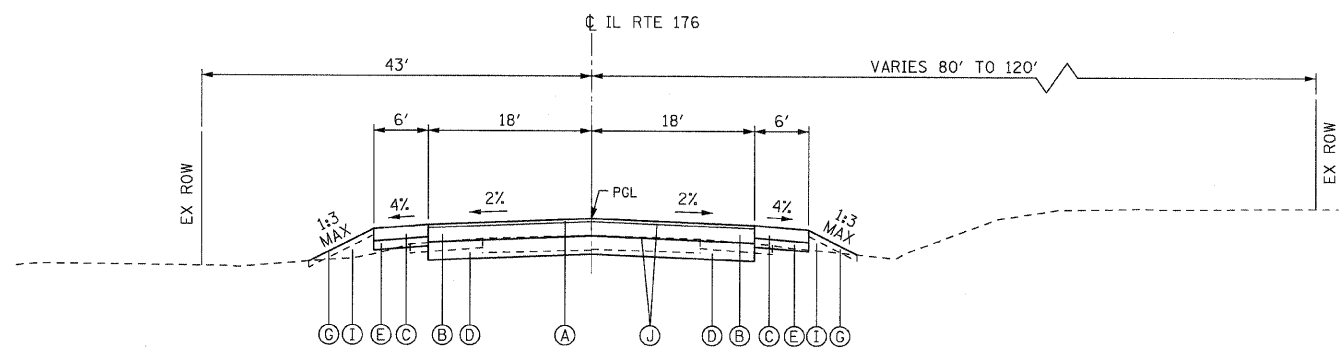
LEGEND

EXISTING CONDITIONS

- ① HMA PAVEMENT
- ② AGGREGATE SHOULDER
- ③ STEEL PLATE BEAM GUARDRAIL
- ④ EARTH EXCAVATION
- ⑤ PAVEMENT REMOVAL
- ⑥ AGGREGATE SHOULDER TO BE REMOVED
- ⑦ GUARDRAIL REMOVAL

PROPOSED CONDITIONS

- Ⓐ HOT-MIX ASPHALT SURFACE COURSE, MIX "D", N70, 2"
- Ⓑ HOT-MIX ASPHALT BINDER COURSE, IL-19.0, N70, 10"
- Ⓒ HOT-MIX ASPHALT SHOULDER, 8"
- Ⓓ AGGREGATE SUBGRADE, 12"
- Ⓔ SUBBASE GRANULAR MATERIAL, TYPE B, 6"
- Ⓕ STEEL PLATE BEAM GUARDRAIL, TYPE A, 6 FOOT POSTS
- Ⓖ DITCH RESTORATION:
-EROSION CONTROL BLANKET
-SEEDING, CLASS 2A
-TOPSOIL FURNISH AND PLACE 4"
- Ⓗ CONCRETE RETAINING WALL
- Ⓘ FILL/FURNISHED EXCAVATION
- Ⓣ BITUMINOUS MATERIALS PRIME COAT



PROPOSED TYPICAL SECTION

STA. 1154+04.8 TO STA. 1157+50

...D160J67-sh1-typical01.dgn
12/23/2010
9:41:52 AM



DESIGNED	JRB	REVISED	-
DRAWN	JRB	REVISED	-
CHECKED	RJD	REVISED	-
DATE	JANUARY 3, 2011	REVISED	-

STATE OF ILLINOIS
DEPARTMENT OF TRANSPORTATION

IL ROUTE 176 OVER EAST SKOKIE
EXISTING AND PROPOSED TYPICAL SECTIONS

SCALE: NTS SHEET NO. 1 OF 2 SHEETS STA. TO STA.

F.A.U. RTE.	SECTION	COUNTY	TOTAL SHEETS	SHEET NO.
1238	C-B-I	LAKE	61	6
			CONTRACT NO. 60J67	
ILLINOIS FED. AID PROJECT				