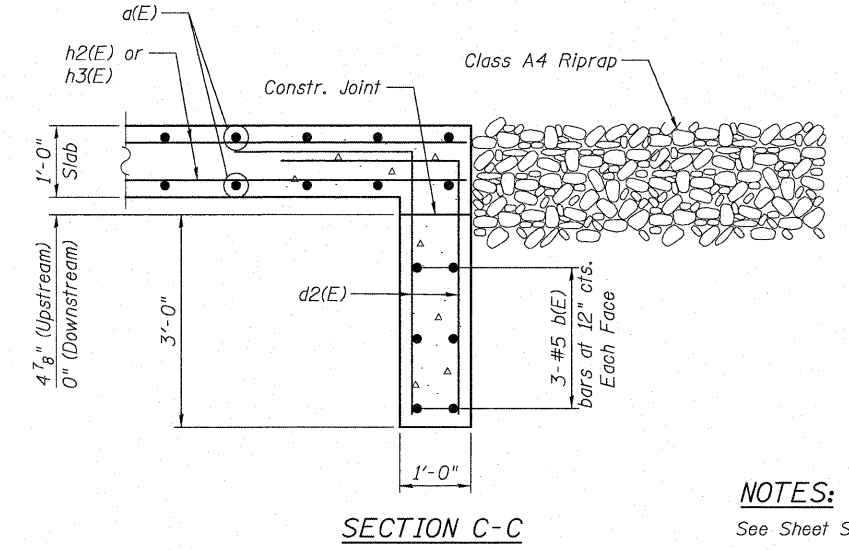
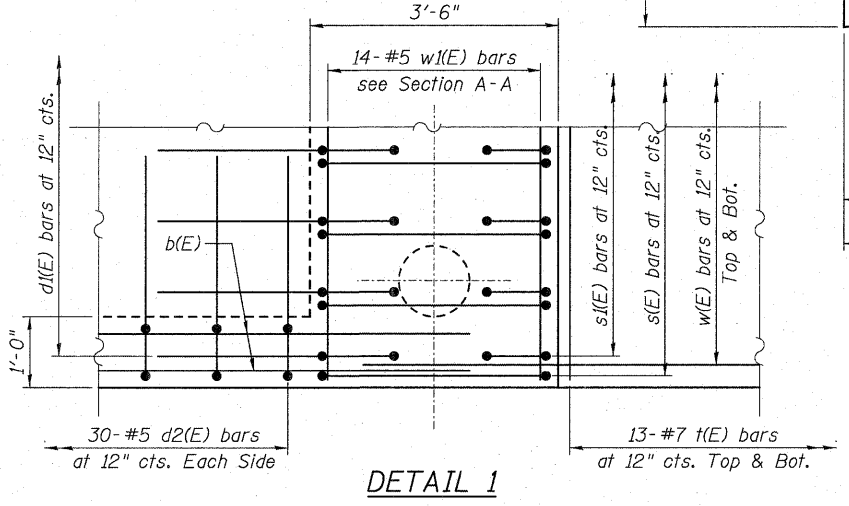
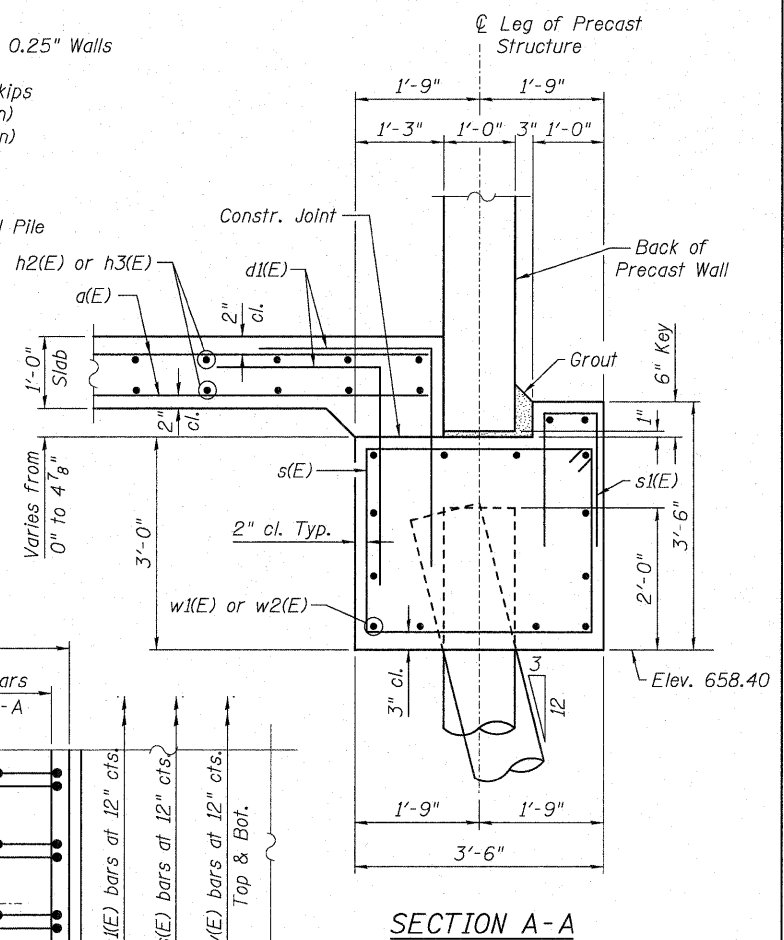
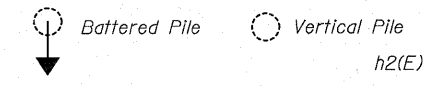


**PILE DATA**  
 Type & Size: Metal Shell - 12"  $\phi$  x 0.25" Walls  
 Nominal Required Bearing: 270 kips  
 Allowable Resistance Available: 90 kips  
 Est. Length: 33 ft (West Foundation)  
 36 ft (East Foundation)  
 No. Production Piles: 46  
 No. Test Piles: 2



**NOTES:**  
 See Sheet S-6 for Section B-B.



|              |                  |           |
|--------------|------------------|-----------|
| USER NAME =  | DESIGNED - JXH   | REVISED - |
| CHECKED - JW | REVISIONS -      |           |
| PLOT SCALE = | DRAWN - JLS      | REVISED - |
| PLOT DATE =  | CHECKED - JXH/JW | REVISED - |

STATE OF ILLINOIS  
 DEPARTMENT OF TRANSPORTATION

FOUNDATION PLAN AND DETAILS  
 STRUCTURE NUMBER 049-0238 STATION 1159 + 35.95

|                  |         |        |                           |           |
|------------------|---------|--------|---------------------------|-----------|
| F.A.U. RTE.      | SECTION | COUNTY | TOTAL SHEETS              | SHEET NO. |
| 1238             | C-B-I   | LAKE   | 61                        | 33        |
| DATE: 01-28-2011 |         |        | ILLINOIS FED. AID PROJECT |           |

SHEET NO. S-5 OF S-15 SHEETS

CONTRACT NO. 60J67