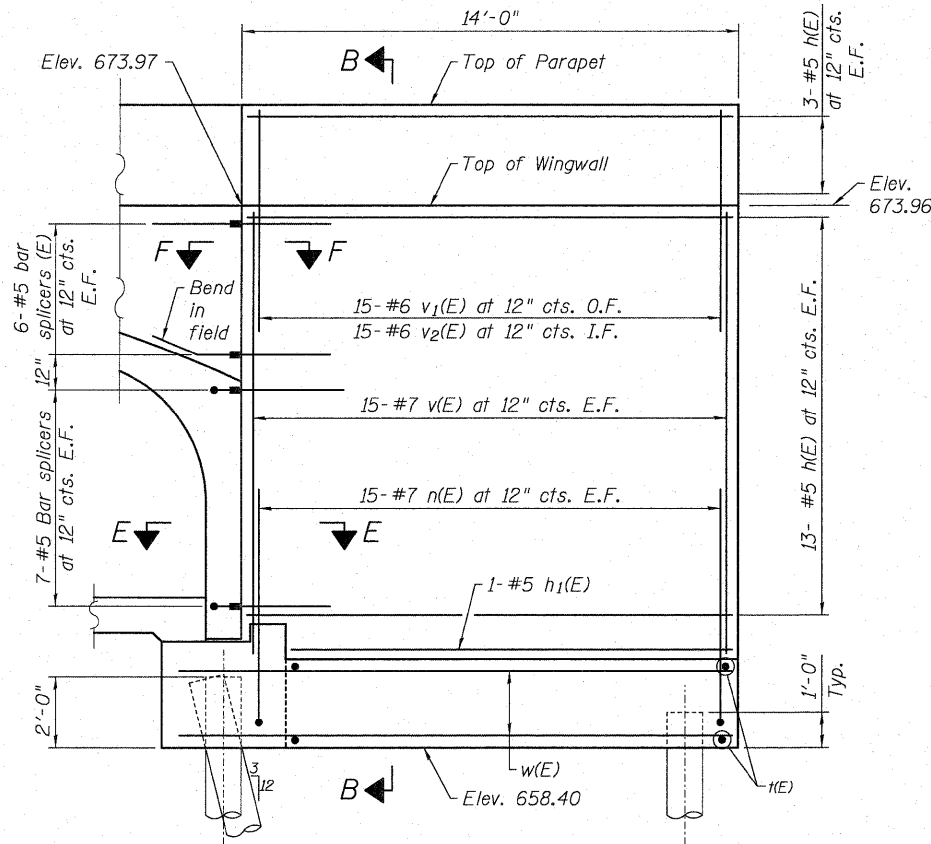
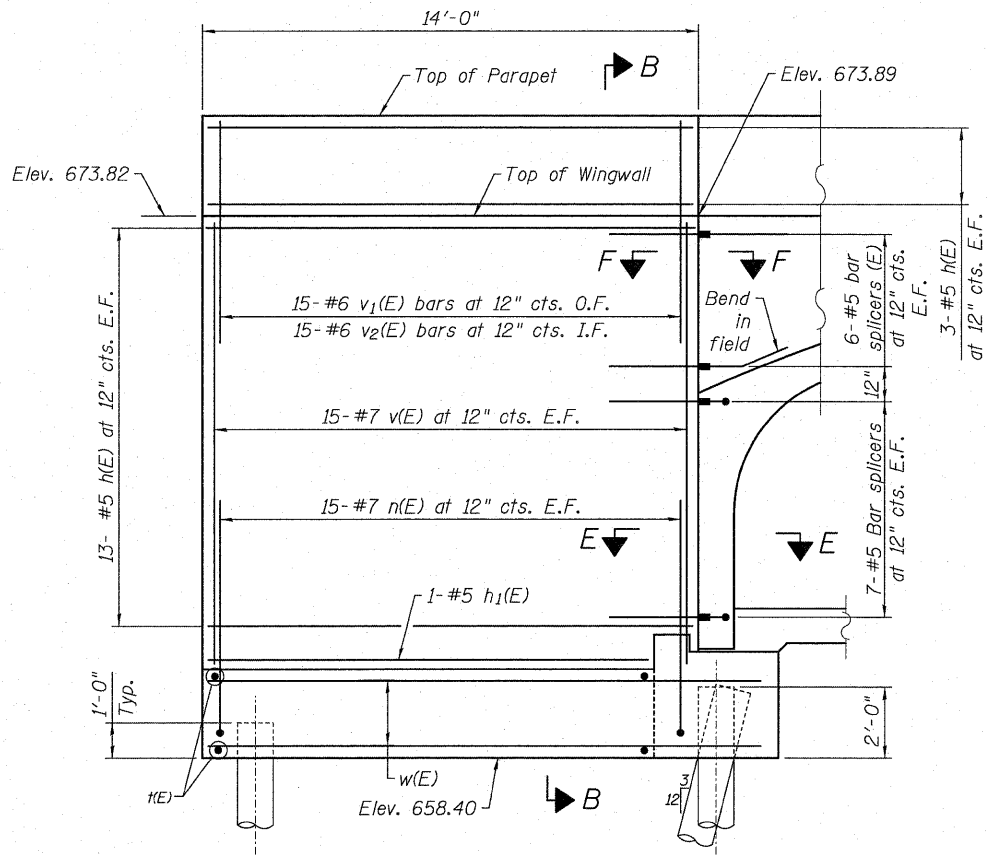


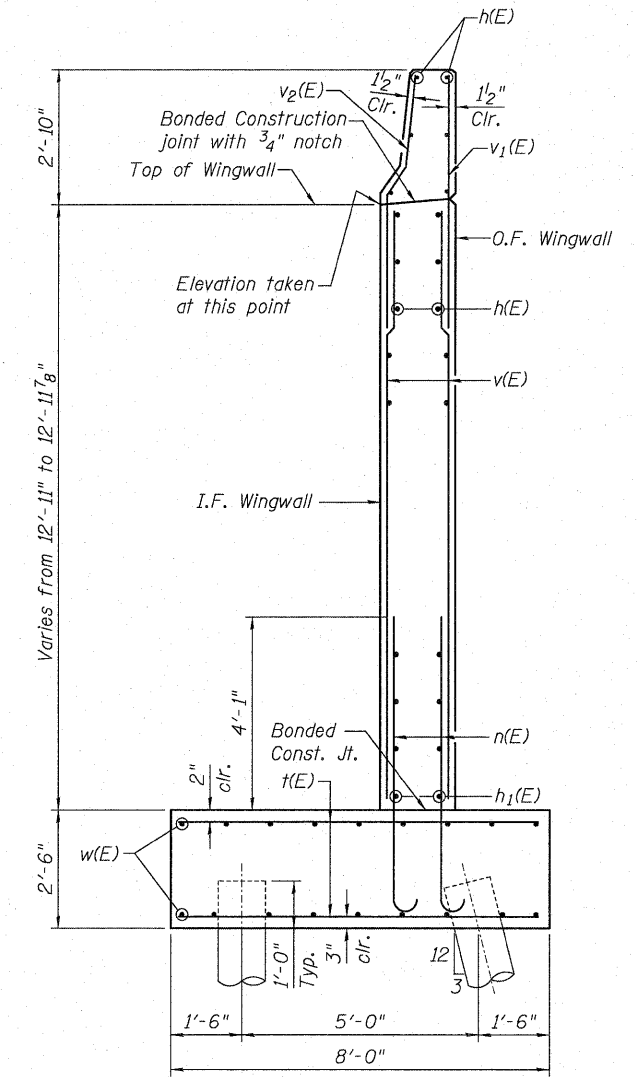
**NW WINGWALL ELEVATION**  
(Looking North)



**NE WINGWALL ELEVATION - SHOWN**  
(Looking North)  
**SE WINGWALL REFLECTED ELEVATION**  
(Looking North)



**SW WINGWALL ELEVATION**  
(Looking North)



**SECTION B-B**

- Note:**
- See sheet S-7 of S-15 for detail 1, section E-E and section F-F.
  - Minimum bar lap length:  
#5 = 2'-6"  
#6 = 3'-0"  
#7 = 3'-11"



USER NAME =	DESIGNED - JXH	REVISED -
PLOT SCALE =	CHECKED - JW	REVISED -
PLOT DATE =	DRAWN - JLS	REVISED -
	CHECKED - JXH/JW	REVISED -

**STATE OF ILLINOIS**  
**DEPARTMENT OF TRANSPORTATION**

**WINGWALL ELEVATIONS AND DETAILS**  
**STRUCTURE NUMBER 049-0238 STATION 1159+35.95**

F.A.U. RTE.	SECTION	COUNTY	TOTAL SHEETS	SHEET NO.
1238	C-B-I	LAKE	61	34
DATE: 01-28-2011			ILLINOIS FED. AID PROJECT	

SHEET NO. S-6 OF S-15 SHEETS

CONTRACT NO. 60J67