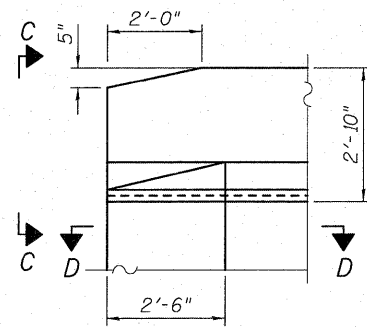
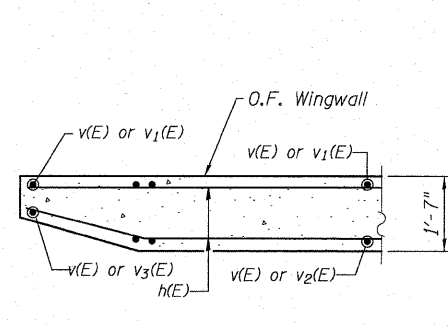


**BILL OF MATERIAL
FOUNDATION AND WINGWALLS**

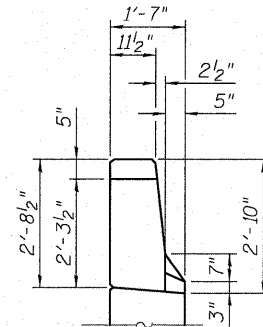
Bar	No.	Size	Length	Shape
a(E)	114	#6	31'-8"	—
b(E)	12	#5	34'-0"	—
d ₁ (E)	228	#6	6'-0"	└
d ₂ (E)	120	#5	6'-3"	└
h(E)	128	#5	13'-8"	—
h ₁ (E)	8	#5	12'-6"	—
h ₂ (E)	66	#5	26'-9"	—
h ₃ (E)	66	#5	27'-9"	—
n(E)	120	#7	6'-8"	⌋
s(E)	114	#5	12'-5"	□
s ₁ (E)	114	#5	4'-8"	▭
t(E)	104	#7	7'-8"	—
v(E)	120	#7	12'-8"	—
v ₁ (E)	60	#6	5'-2"	—
v ₂ (E)	57	#6	6'-2"	└
v ₃ (E)	3	#6	6'-2"	└
w(E)	72	#5	15'-6"	—
w ₁ (E)	28	#5	26'-9"	—
w ₂ (E)	28	#5	27'-9"	—
Structure Excavation		Cu. Yd	136	
Concrete Structures		Cu. Yd	206.6	
Protective Coat		Sq. Yd.	25	
Reinforcement Bars, Epoxy Coated		Pound	26,550	
Bar Splicers		Each	94	
Furnishing Metal Shell Piles 12" x 0.250"		Foot	1,587	
Driving Piles		Foot	1,587	
Test Pile Metal Shells		Each	2	



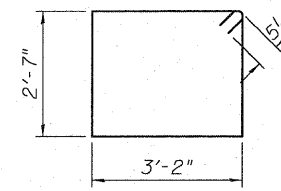
DETAIL 1



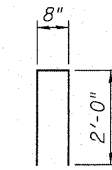
SECTION D-D



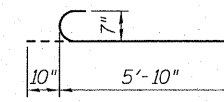
VIEW C-C



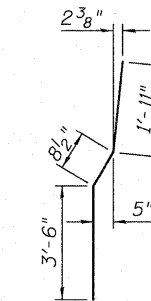
BAR s(E)



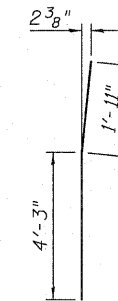
BAR s1(E)



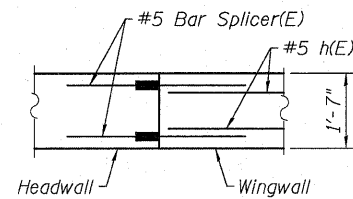
BAR n(E)



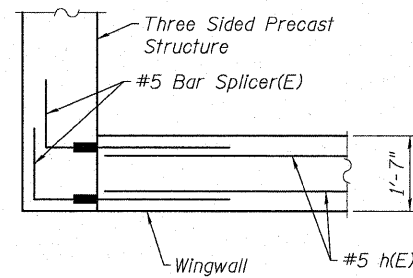
BAR v2(E)



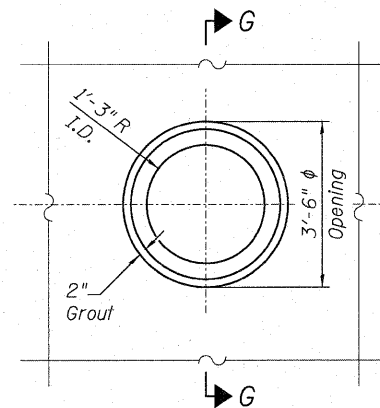
BAR v3(E)



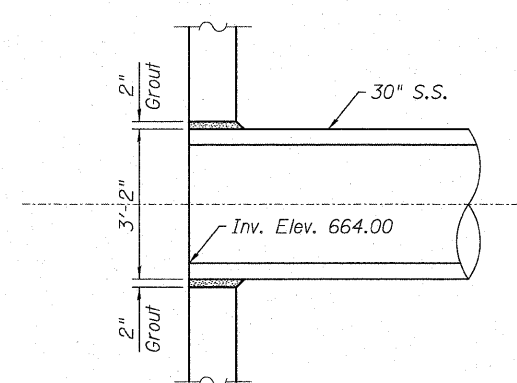
SECTION F-F



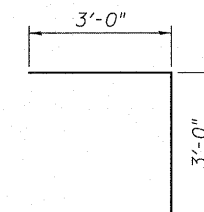
SECTION E-E



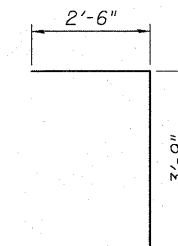
ELEVATION VIEW



SECTION G-G



BAR d1(E)



BAR d2(E)

OPENING IN THREE-SIDED STRUCTURE