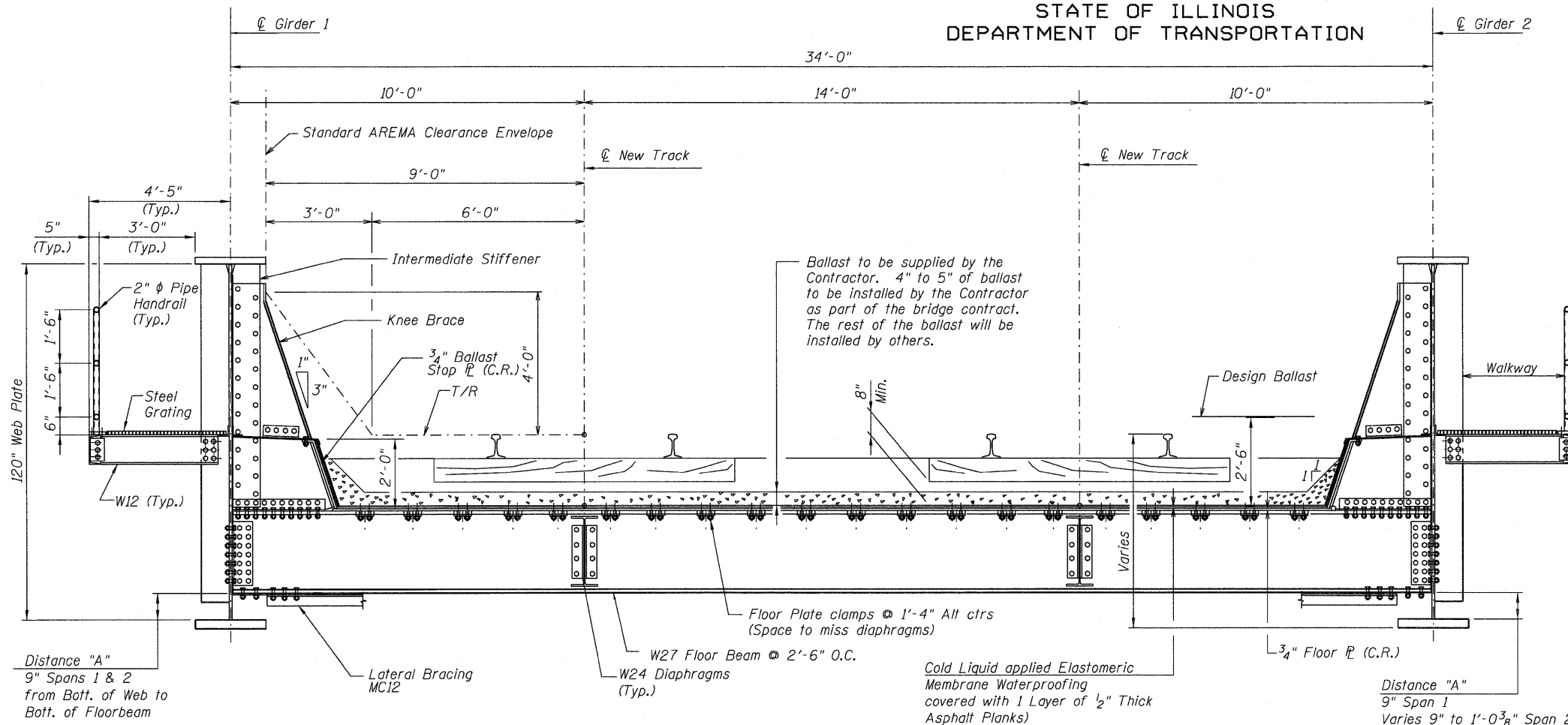
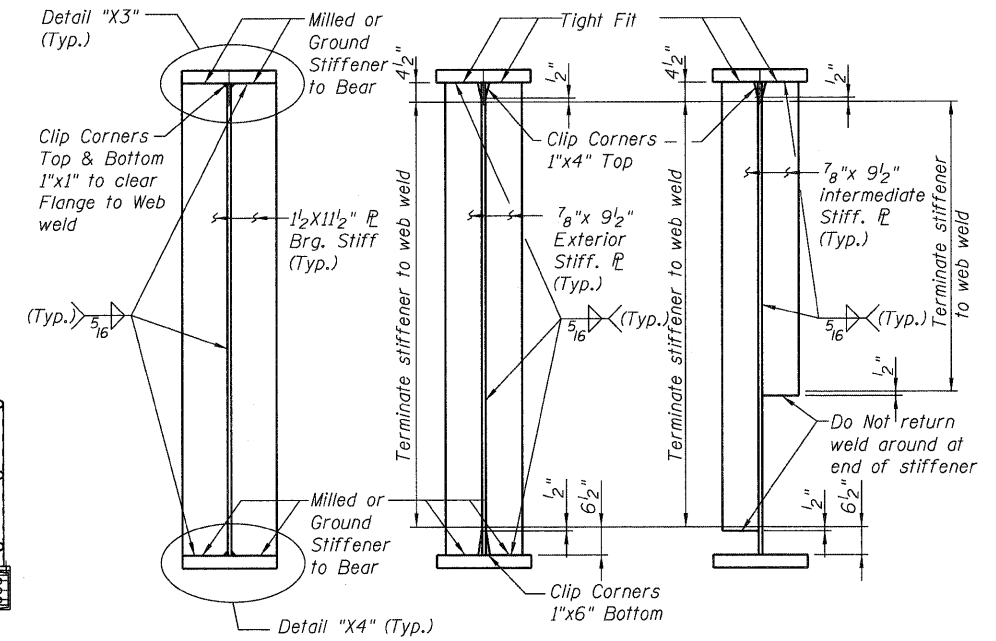


STATE OF ILLINOIS
DEPARTMENT OF TRANSPORTATION



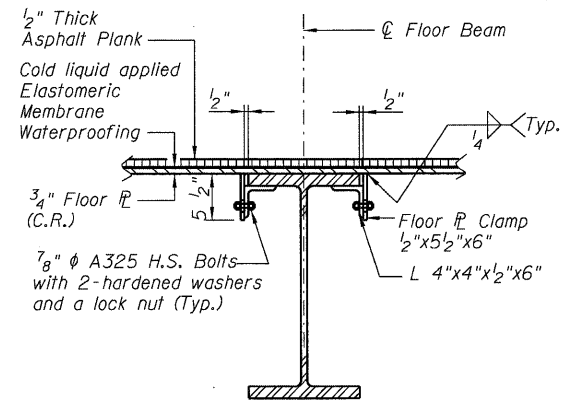
TYPICAL BRIDGE CROSS SECTION LOOKING EAST



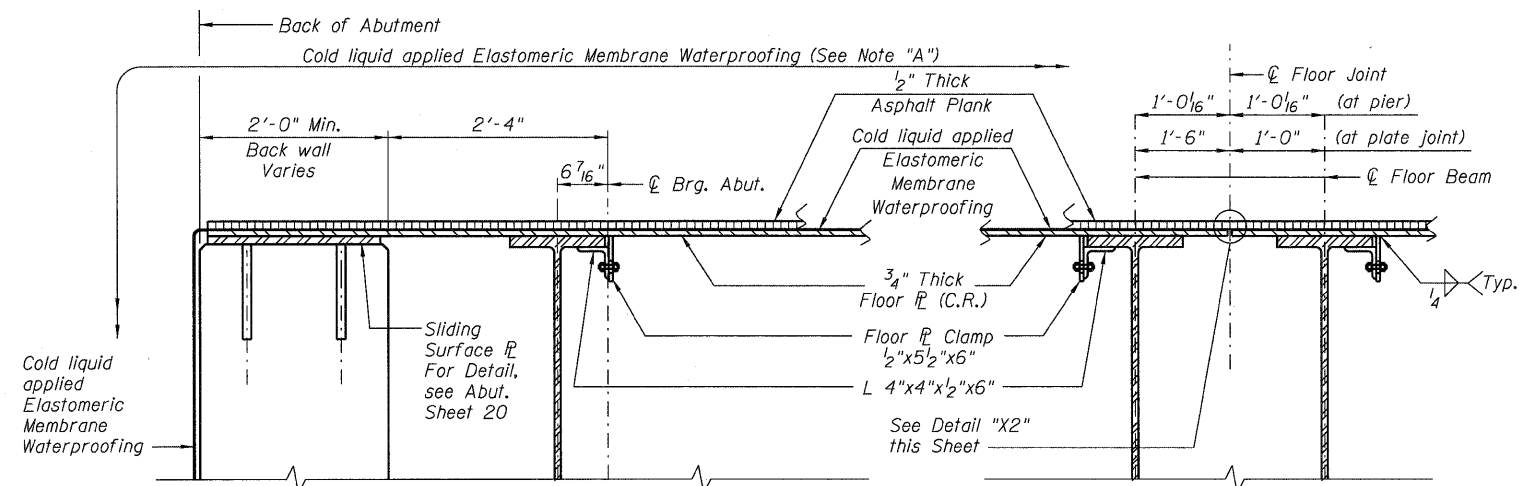
SECTION B1-B1 AT BEARING SECTION B2-B2 AT EXTERIOR SECTION B3-B3 AT INTERMEDIATE
TYPICAL STIFFENER DETAILS

NOTES:

- (C.R.) Denotes Corrosion Resistant.
- Note "A"
1/2" Asphalt Plank over cold liquid applied Elastomeric Membrane.
- The floor plate clamp is to be installed square with the beam, any clamps that are not square shall be corrected at the Contractor's expense.
- Floor beam bracket flange plate shall be flat and at right angles to the bracket web after welding has been completed.
- All shop and field welds on the deck shall be continuous unless otherwise shown and shall result in a watertight deck.

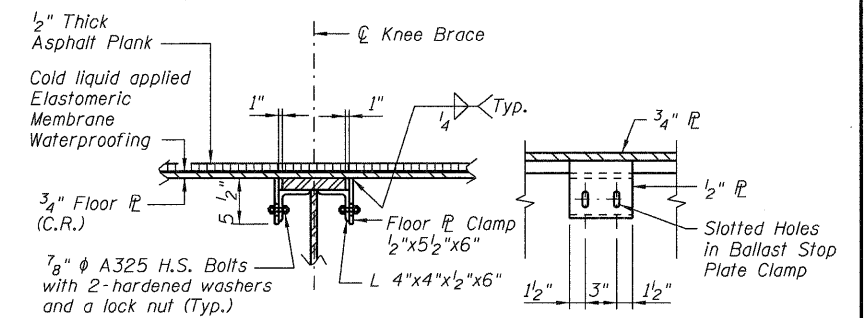


SECTION THRU FLOOR BEAM

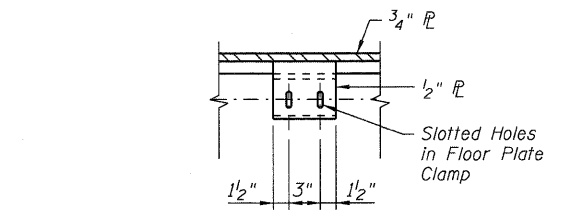


SECTION THRU ABUTMENT

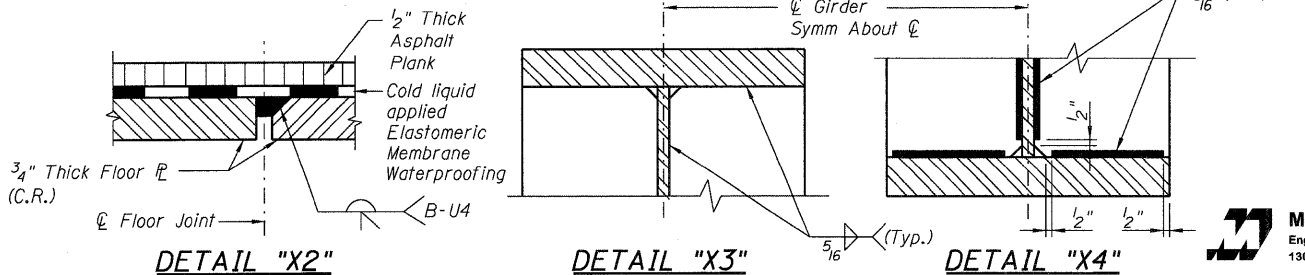
SECTION Z-Z (thru pier and plate joint)



BALLAST STOP PLATE SECTION AND CLAMP DETAIL



FLOOR PLATE CLAMP DETAIL



DETAIL "X2"

DETAIL "X3"

DETAIL "X4"

DESIGNED - KJH
CHECKED - MGB
DRAWN - RJ
CHECKED - MGB

McDonough Associates Inc.
Engineers / Architects
130 East Randolph Street Chicago, Illinois 60601

TYPICAL CROSS SECTION AND STEEL DETAILS-1
STRUCTURE NO. 016-6201

SHEET NO. 6 25 SHEETS	F.A.P R.T.E. 330	SECTION 73 R-B	COUNTY COOK	TOTAL SHEETS 136	SHEET NO. 58
	CONTRACT NO. 60K64				
DATE: 12/17/10		ILLINOIS FED. AID PROJECT			