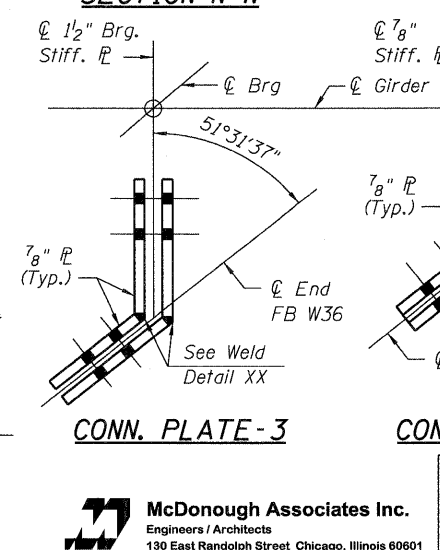
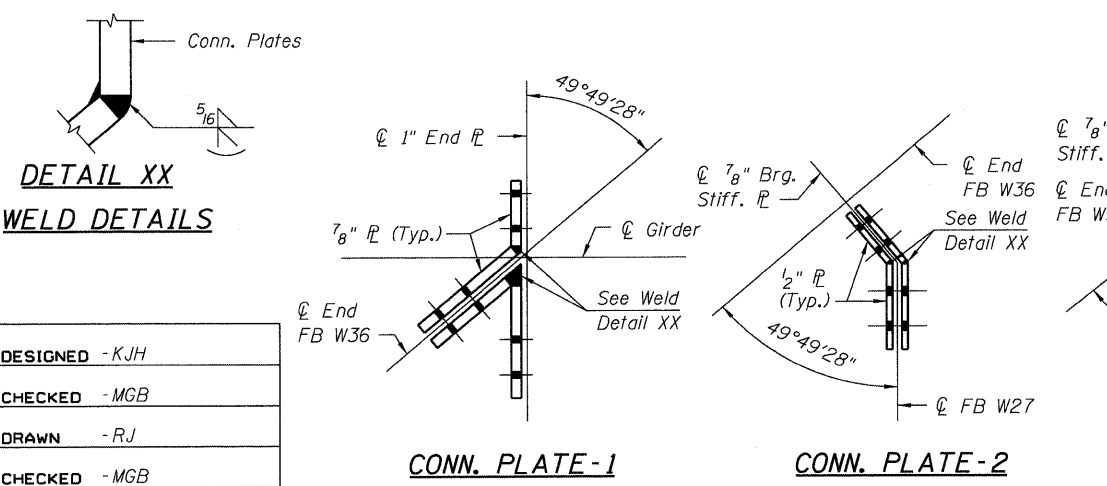
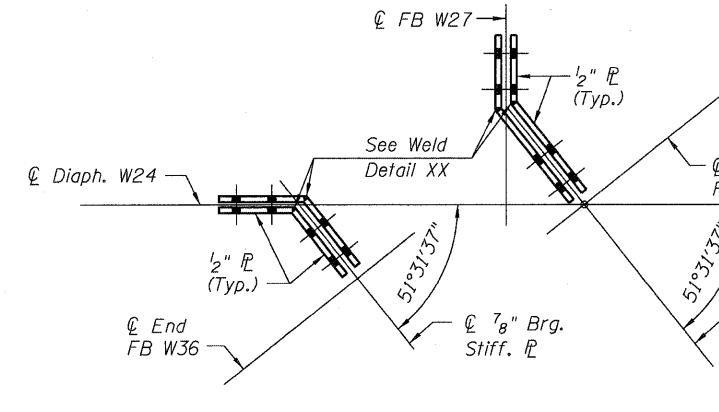
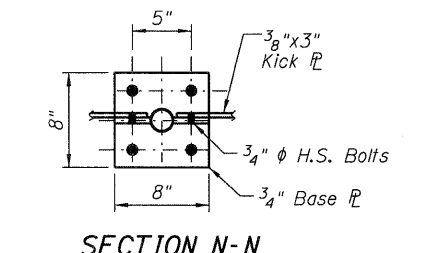
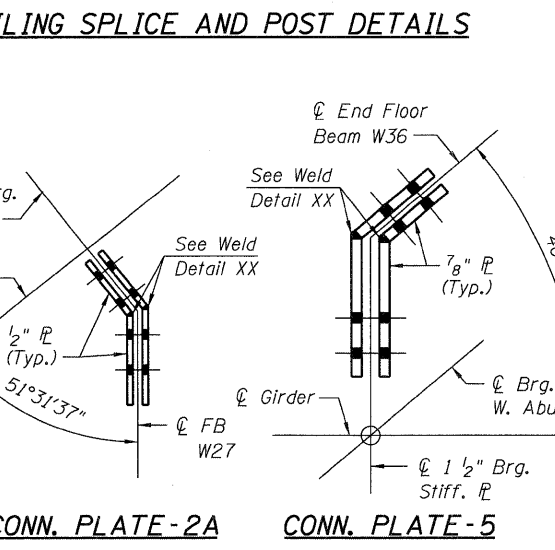
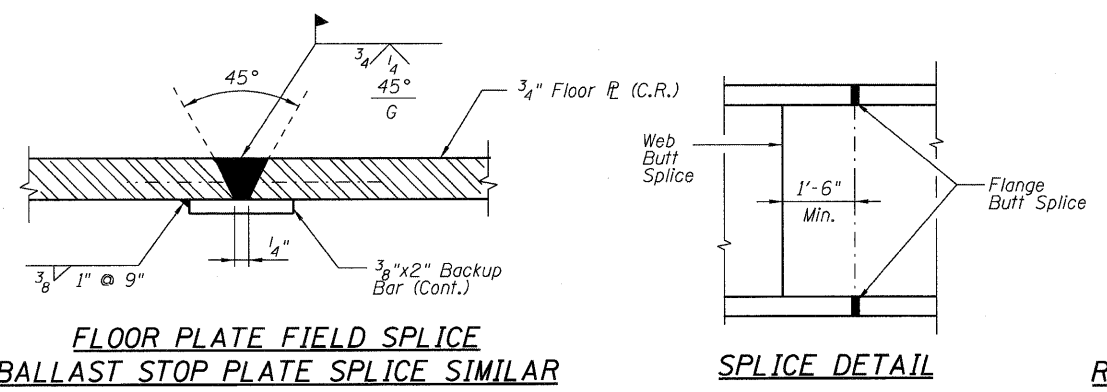
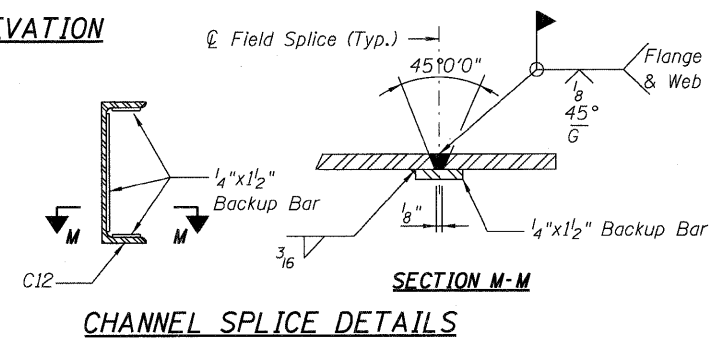
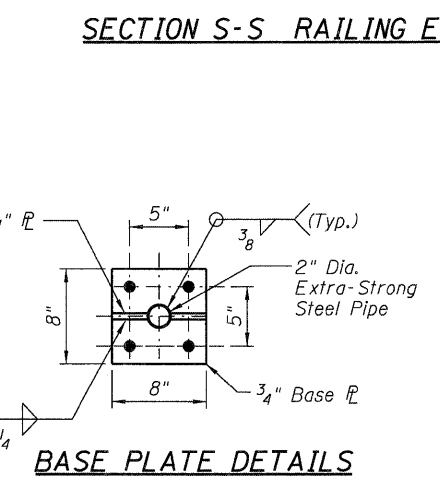
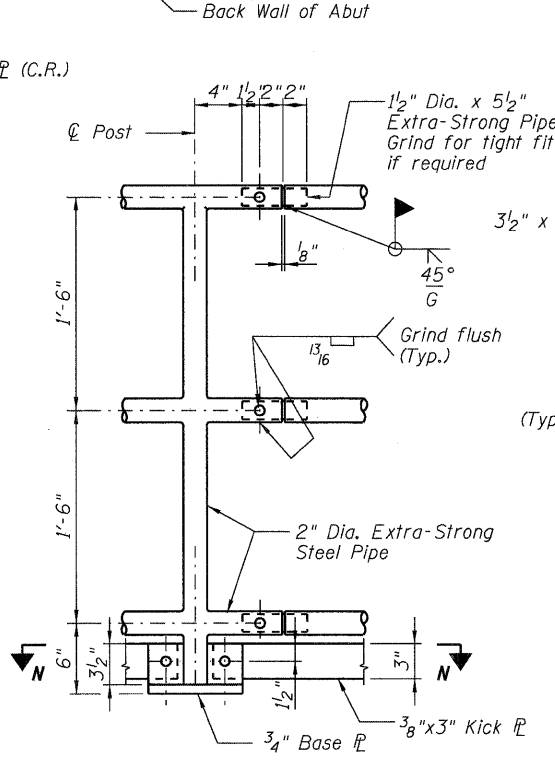
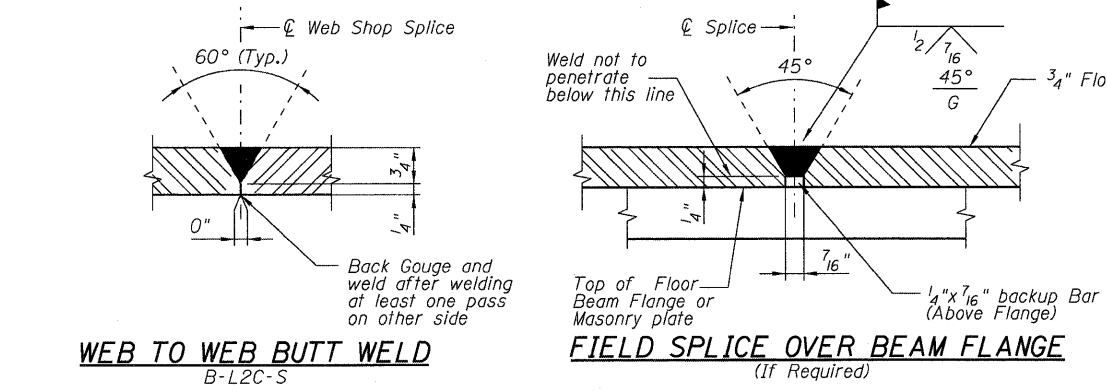
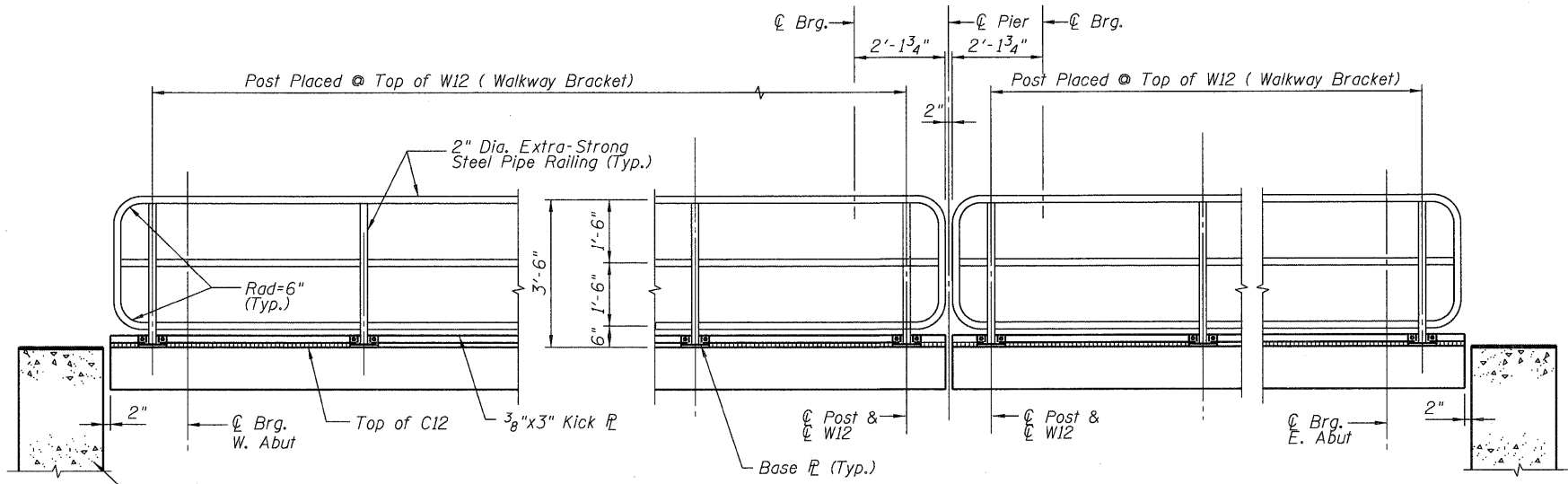
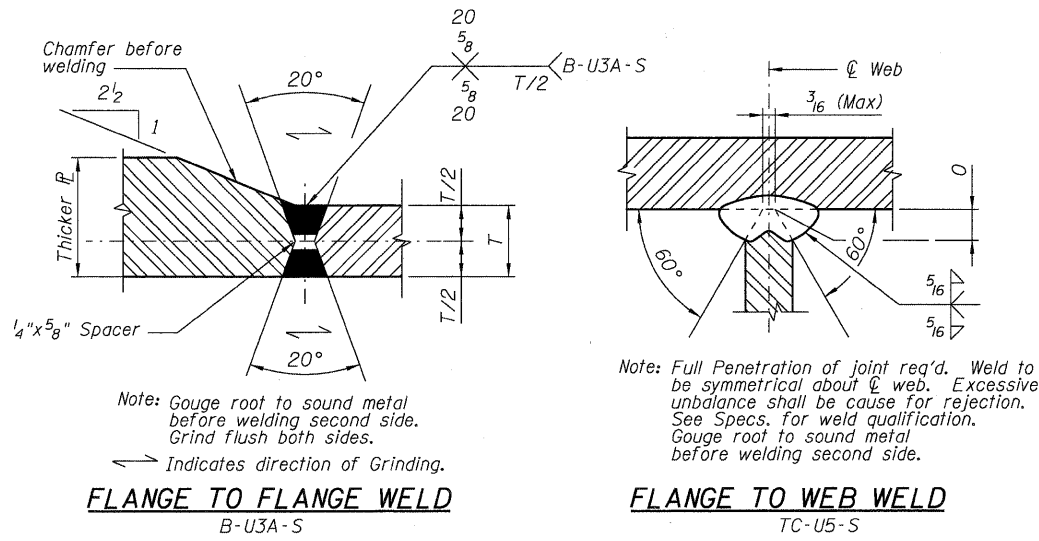


STATE OF ILLINOIS
DEPARTMENT OF TRANSPORTATION



NOTES:

All Shop and Field Welds on the deck shall be continuous unless otherwise shown.

Remove shop edges or any projections from floor plates or welds that may damage the butyl rubber membrane.

Pipe Handrail shall be in accordance with Section 510 of the "IDOT" Standard Specification.

Contractor has an option to use bent plates instead of welded plates as shown. Contractor shall get a pre-approval from the Engineer in charge.

STEEL DETAILS-5
STRUCTURE NO. 016-6201

DESIGNED - KJH
CHECKED - MGB
DRAWN - RJ
CHECKED - MGB

SHEET NO. 10 25 SHEETS	F.A.P R.T.E. 330	SECTION 73 R-B	COUNTY COOK	TOTAL SHEETS 136	SHEET NO. 62
	CONTRACT NO. 60K64				
DATE: 12/17/10		ILLINOIS FED. AID PROJECT			

McDonough Associates Inc.
Engineers / Architects
130 East Randolph Street Chicago, Illinois 60601