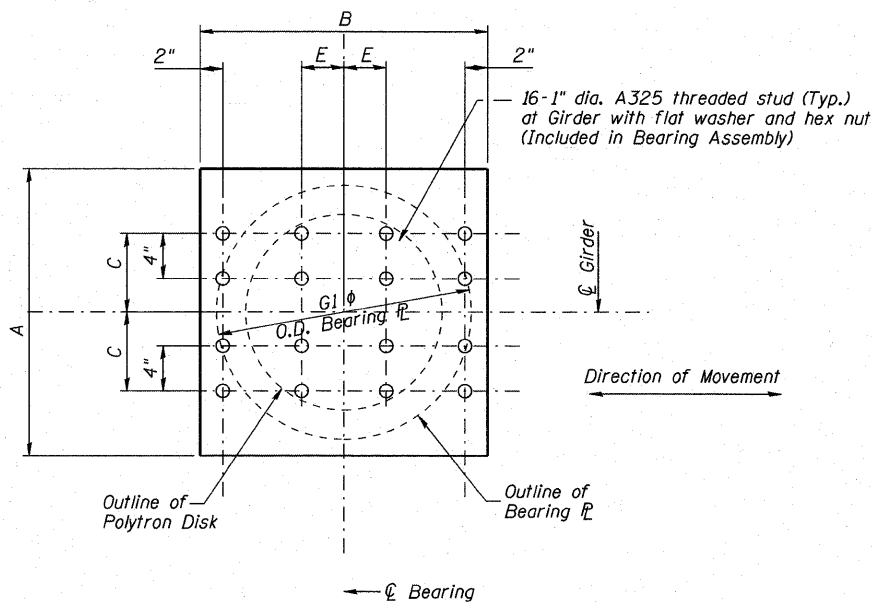
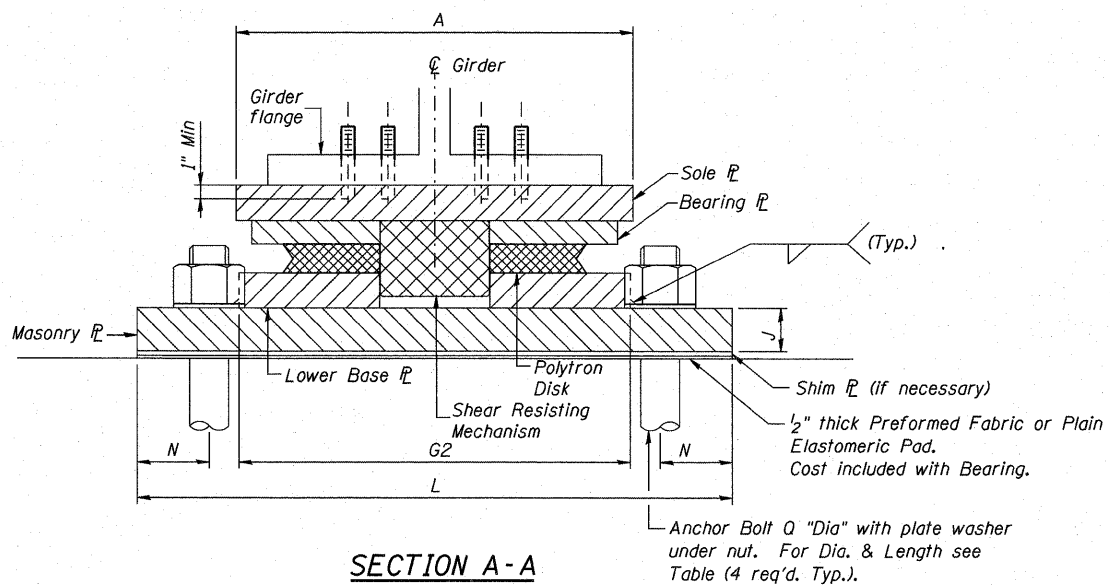


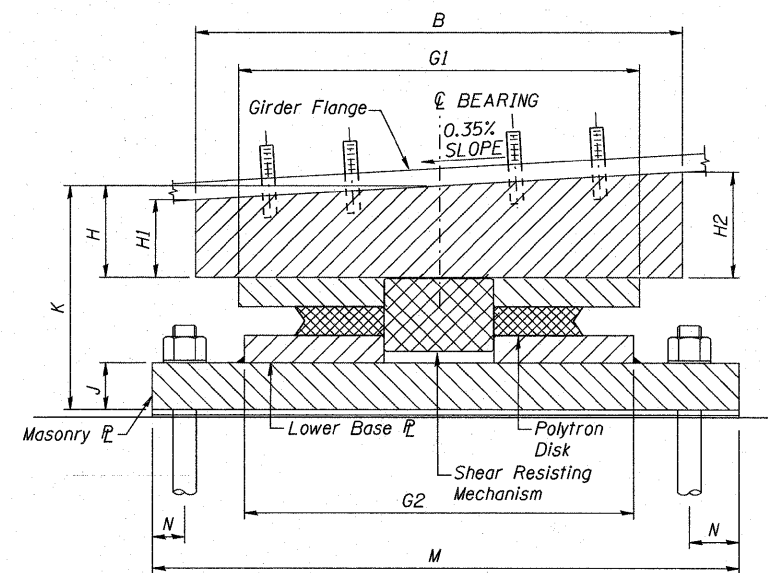
STATE OF ILLINOIS
DEPARTMENT OF TRANSPORTATION



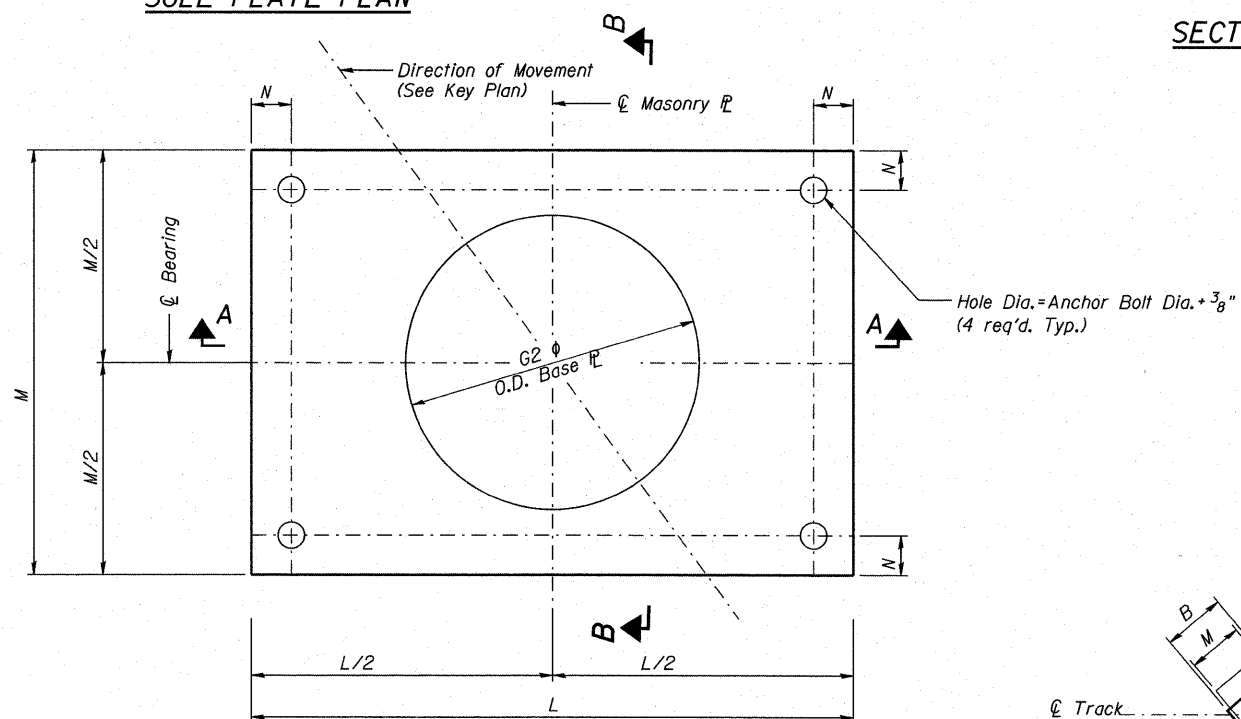
SOLE PLATE PLAN



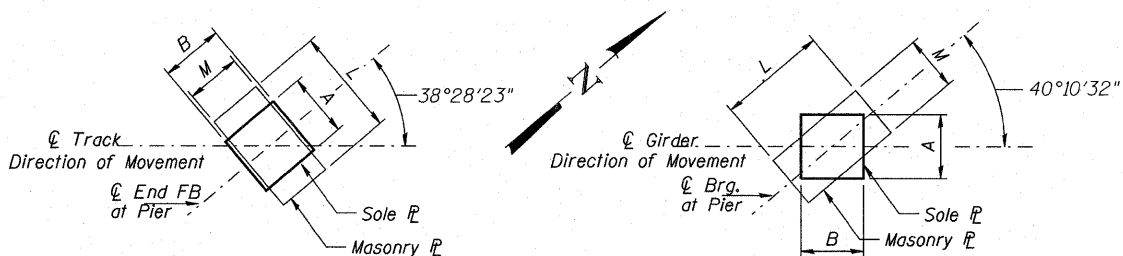
SECTION A-A



SECTION B-B



MASONRY PLATE
FIXED (F) AT PIER
PLAN



BEARING LAYOUT AT END FLOOR BEAM LOCATION

BEARING LAYOUT AT GIRDER LOCATION

SOLE PLATE AND MASONRY PLATE KEY PLAN

FIXED BEARING DATA

BEARING LOCATION	VERT. LOAD (k)	HORZ. LOAD (k)	ROTATION (rad)	A	B	C	E	G1	G2	H	H1	H2	J	K	L	M	N	ANCHOR BOLT Ø "DIA." x Length	PLATE WASHER
Pier -Girders	1265	300	0.015	2'-1 1/2"	2'-1 1/2"	7"	3 3/4"	1'-11 1/2"	2'-1 1/2"	2 3/16"	2 1/8"	2 1/4"	2 3/4"	11 5/16"	3'-2 1/4"	2'-6 3/4"	4 3/8"	2 1/2"x2'-6"	4"x4"x5/16"

NOTES:

- See Sheet No. 21 for anchor bolt installation.
- Anchor bolts shall be ASTM F1554 Grade 36 all-thread (or an Engineer-approved alternate material) of the diameter(s) specified. ASTM A307 Grade C anchor bolts may be used in lieu of ASTM F1554 Grade 36 (Fy=36ksi). The corresponding specified grade of AASHTO M314 anchor bolts may be used in lieu of ASTM F1554.
- All structural steel for bearings shall be ASTM A572 Grade 42.
- Bearings shall conform to the Multi-Rotational Disc Bearing sections of the 2010 AREMA Code.
- Anchor bolts for masonry plates shall be cast with pier.

DESIGNED - KJH
CHECKED - MGB
DRAWN - RJ
CHECKED - MGB

HLMR FIXED BEARINGS
STRUCTURE NO. 016-6201

SHEET NO. 13 25 SHEETS	F.A.P. RTE. 330	SECTION 73 R-B	COUNTY COOK	TOTAL SHEETS 136	SHEET NO. 65
	CONTRACT NO. 60K64				
DATE: 12/17/10		ILLINOIS FED. AID PROJECT			

McDonough Associates Inc.
Engineers / Architects
180 East Randolph Street, Chicago, Illinois 60601