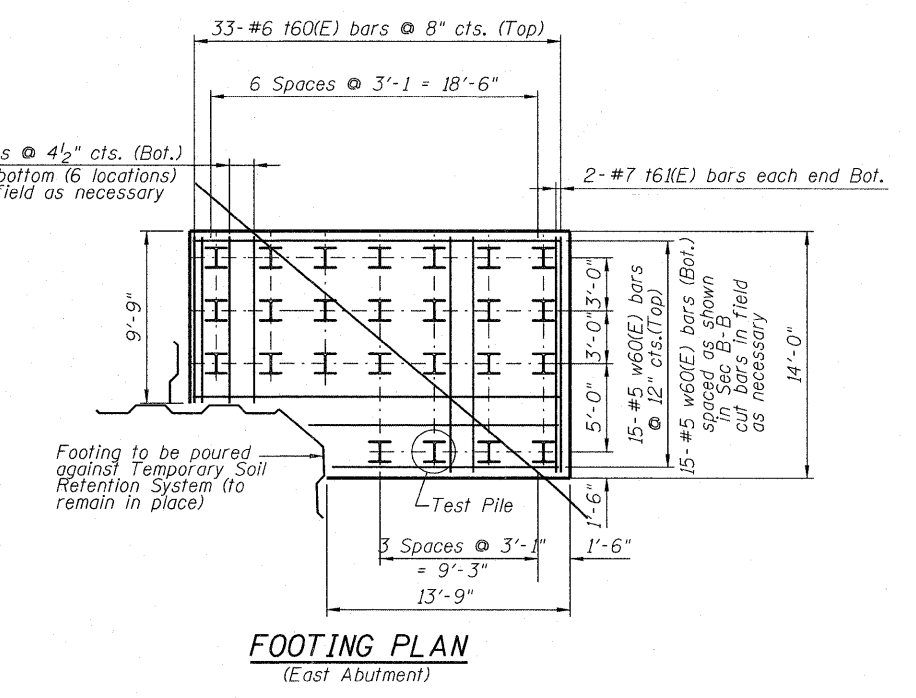
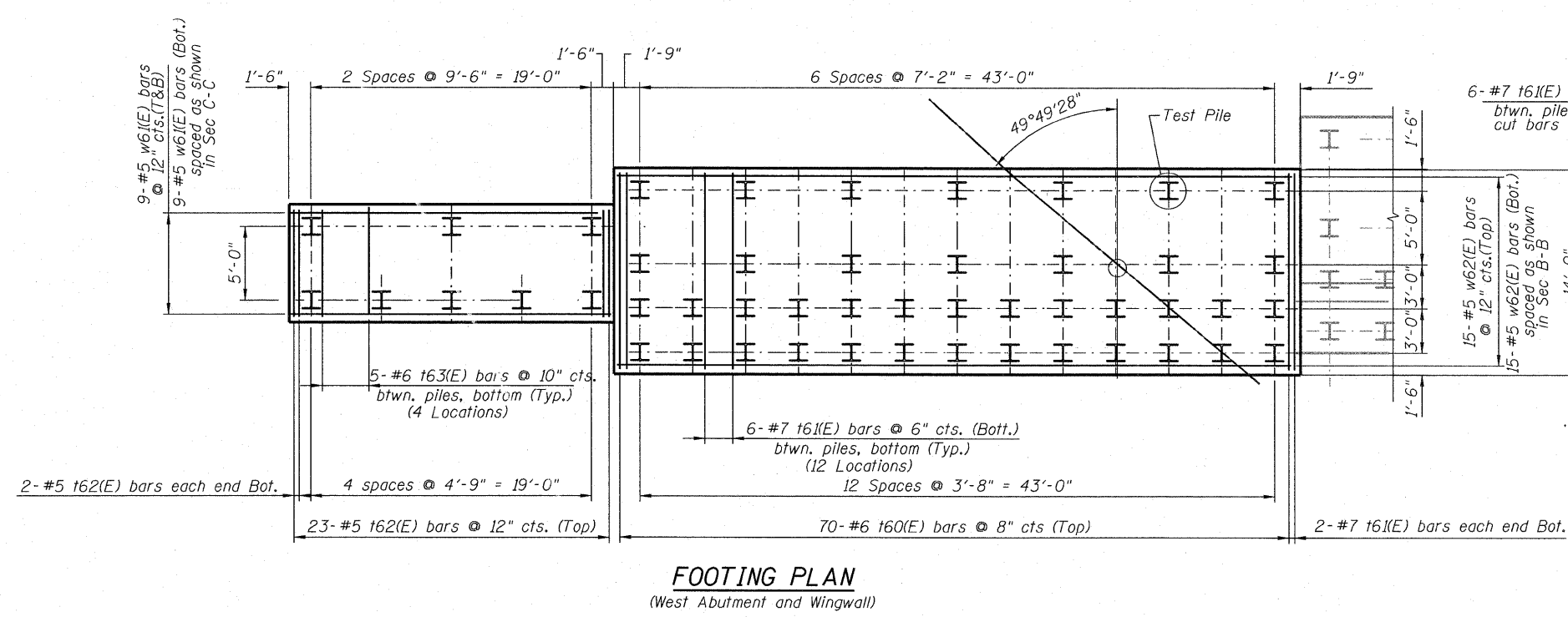
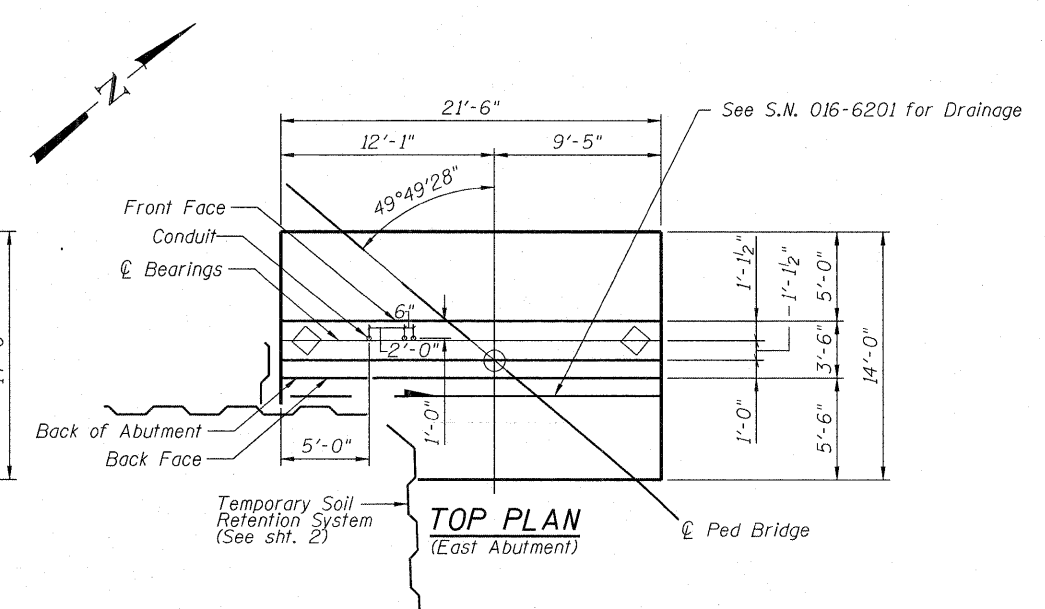
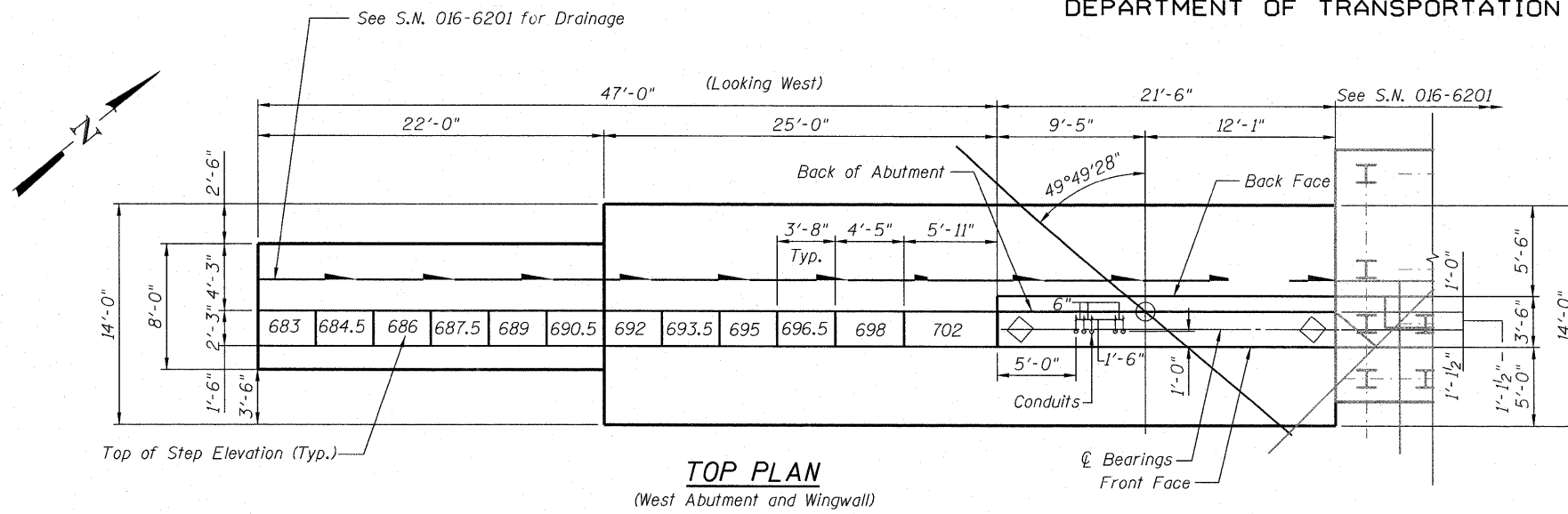


STATE OF ILLINOIS  
DEPARTMENT OF TRANSPORTATION



**WEST ABUTMENT- PILE DATA**

Type: HP12x53 w/Pile Shoes  
Nominal Required Bearing: 260 kips  
Factored Resistance Available: 96 kips  
Est. Length: 38  
No. Production Piles: 47  
No. Test Piles: 1

**EAST ABUTMENT- PILE DATA**

Type: HP12x53 w/Pile Shoes  
Nominal Required Bearing: 180 kips  
Factored Resistance Available: 99 kips  
Est. Length: 64  
No. Production Piles: 24  
No. Test Piles: 1

DESIGNED	MJL
CHECKED	MGB
DRAWN	MJL
CHECKED	MGB

**McDonough Associates Inc.**  
Engineers / Architects  
130 East Randolph Street Chicago, Illinois 60601

SHEET NO. 6  12 SHEETS	F.A.P RTE.	SECTION	COUNTY	TOTAL SHEETS	SHEET NO.
	330	73 R-B	COOK	136	83
	CONTRACT NO. 60K64				
DATE: 12/17/10		ILLINOIS FED. AID PROJECT			

**ABUTMENT FOOTING PLAN  
STRUCTURE NO. 016-7702**