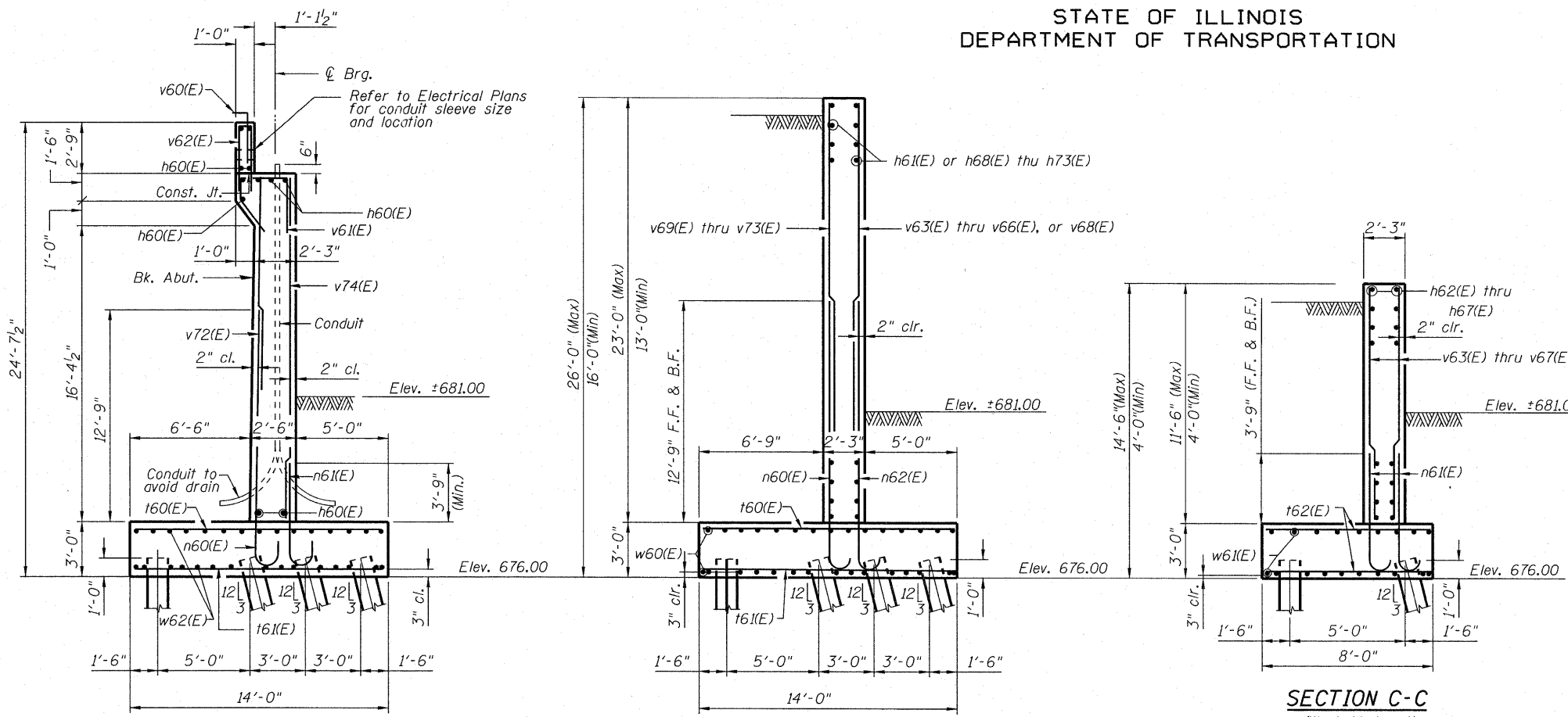


STATE OF ILLINOIS
DEPARTMENT OF TRANSPORTATION

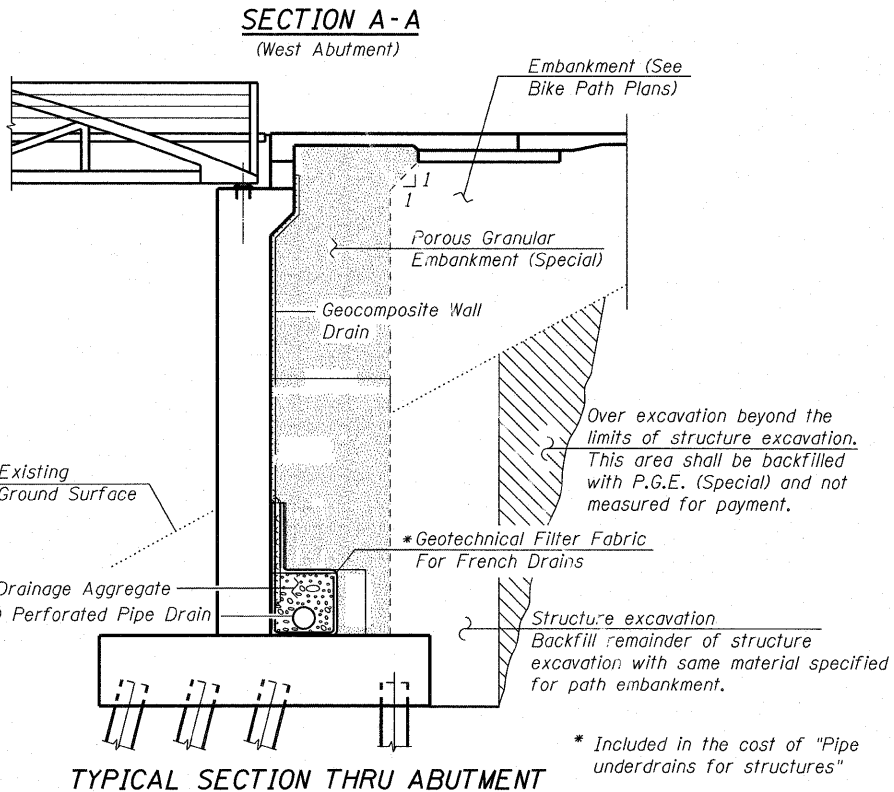


**BILL OF MATERIAL
EAST ABUTMENT**

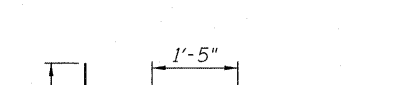
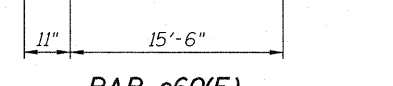
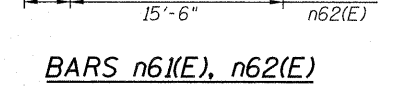
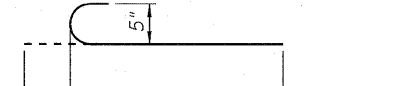
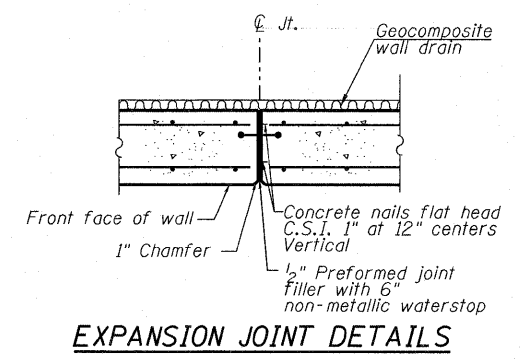
Bar	No.	Size	Length	Shape
h60(E)	50	#5	21'-2"	—
n60(E)	44	#8	16'-5"	U
n61(E)	22	#5	6'-11"	U
t60(E)	33	#6	13'-8"	—
t61(E)	34	#7	13'-8"	—
w60(E)	30	#5	21'-2"	—
v60(E)	20	#5	2'-8"	J
v61(E)	22	#5	8'-5"	J
v62(E)	22	#5	7'-8"	J
v71(E)	44	#6	10'-0"	—
v75(E)	22	#5	19'-0"	—
Structure Excavation		Cu. Yd.	284	
Concrete Structures		Cu. Yd.	70.9	
Reinforcement Bars, Epoxy Coated		Pound	7,010	
Furnishing Steel Piles HP12x53		Foot	1,642	
Driving Piles		Foot	1,642	
Test Pile Steel HP12x53		Each	1	
Pile Shoes		Each	26	
Concrete Sealer		Sq. Ft.	535	

**BILL OF MATERIAL
WEST ABUTMENT**

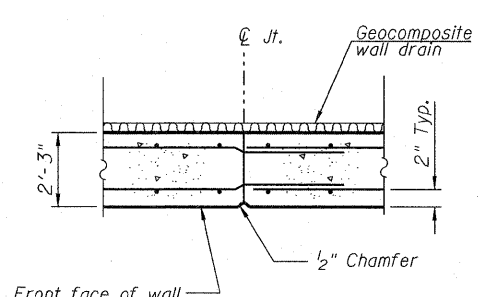
Bar	No.	Size	Length	Shape
h60(E)	48	#5	21'-2"	—
h61(E)	30	#5	28'-4"	—
h62(E)	10	#5	21'-8"	—
h63(E)	4	#5	18'-0"	—
h64(E)	4	#5	14'-4"	—
h65(E)	4	#5	10'-8"	—
h66(E)	4	#5	7'-0"	—
h67(E)	4	#5	3'-4"	—
h68(E)	4	#5	24'-8"	—
h69(E)	4	#5	21'-0"	—
h70(E)	4	#5	17'-4"	—
h71(E)	4	#5	13'-8"	—
h72(E)	4	#5	10'-0"	—
h73(E)	10	#5	5'-7"	—
n60(E)	50	#8	16'-5"	U
n61(E)	46	#5	6'-11"	U
n62(E)	72	#5	15'-11"	U
t60(E)	70	#6	13'-8"	—
t61(E)	76	#7	13'-8"	—
t62(E)	23	#5	7'-8"	—
t63(E)	24	#6	8'-8"	—
w61(E)	18	#5	21'-8"	—
w62(E)	30	#5	46'-2"	—
v60(E)	22	#5	2'-8"	J
v61(E)	22	#5	8'-5"	J
v62(E)	22	#5	7'-8"	J
v63(E)	12	#5	4'-5"	—
v64(E)	12	#5	5'-11"	—
v65(E)	12	#5	7'-5"	—
v66(E)	13	#5	8'-11"	—
v67(E)	8	#5	10'-5"	—
v68(E)	7	#5	12'-11"	—
v69(E)	7	#6	7'-0"	—
v70(E)	7	#6	8'-6"	—
v71(E)	7	#6	10'-0"	—
v72(E)	53	#6	11'-6"	—
v73(E)	13	#6	15'-6"	—
v74(E)	22	#5	17'-6"	—
Structure Excavation		Cu. Yd.	166	
Concrete Structures		Cu. Yd.	182.3	
Reinforcement Bars, Epoxy Coated		Pound	15,150	
Furnishing Steel Piles HP12x53		Foot	1,831	
Driving Piles		Foot	1,831	
Test Pile Steel HP12x53		Each	1	
Pile Shoes		Each	48	
Concrete Sealer		Sq. Ft.	1,254	



**SECTION C-C
(West Abutment)**

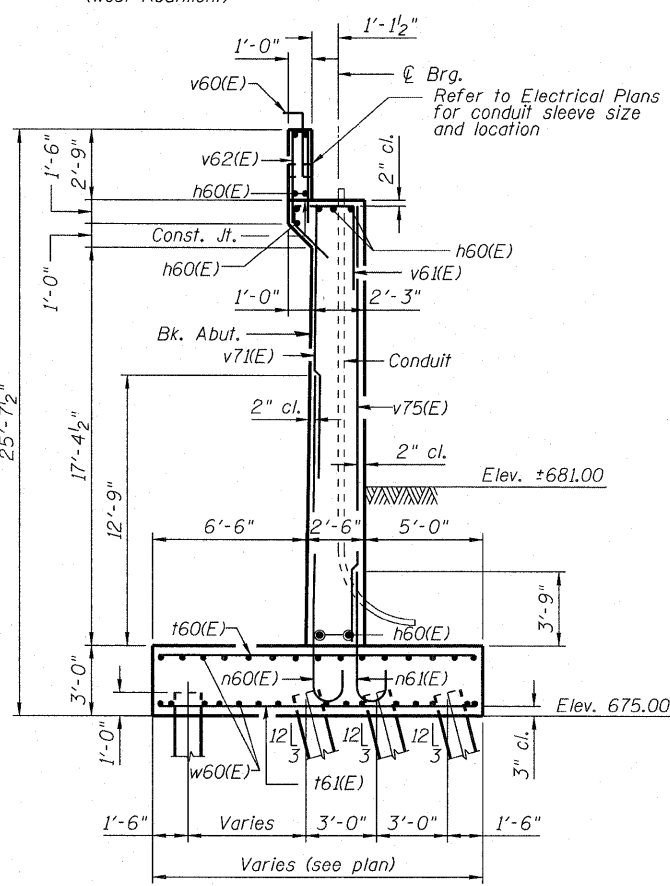


CONSTRUCTION JOINT DETAILS



DESIGNED	MJL
CHECKED	MGB
DRAWN	MJL
CHECKED	MGB

**SECTION D-D
(East Abutment)**



McDonough Associates Inc.
Engineers / Architects
130 East Randolph Street Chicago, Illinois 60601

SHEET NO. 7 12 SHEETS	F.A.P. RTE.	SECTION	COUNTY	TOTAL SHEETS	SHEET NO.
	330	73 R-B	COOK	136	84
DATE: 12/17/10			ILLINOIS FED. AID PROJECT		
CONTRACT NO. 60K64					

**ABUTMENT DETAILS
STRUCTURE NO. 016-7702**