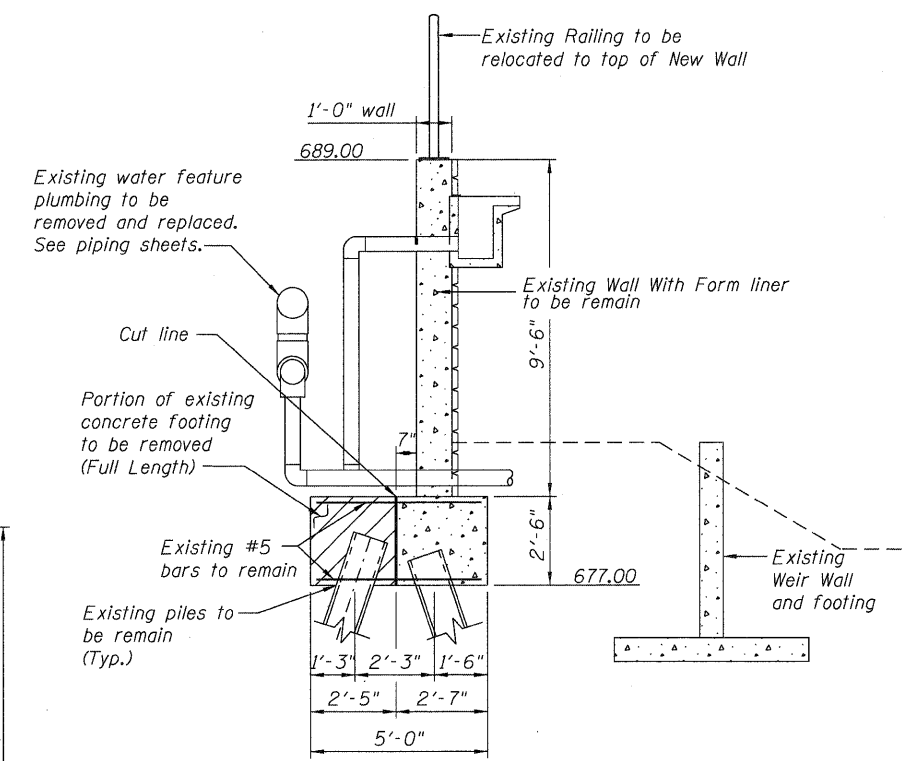
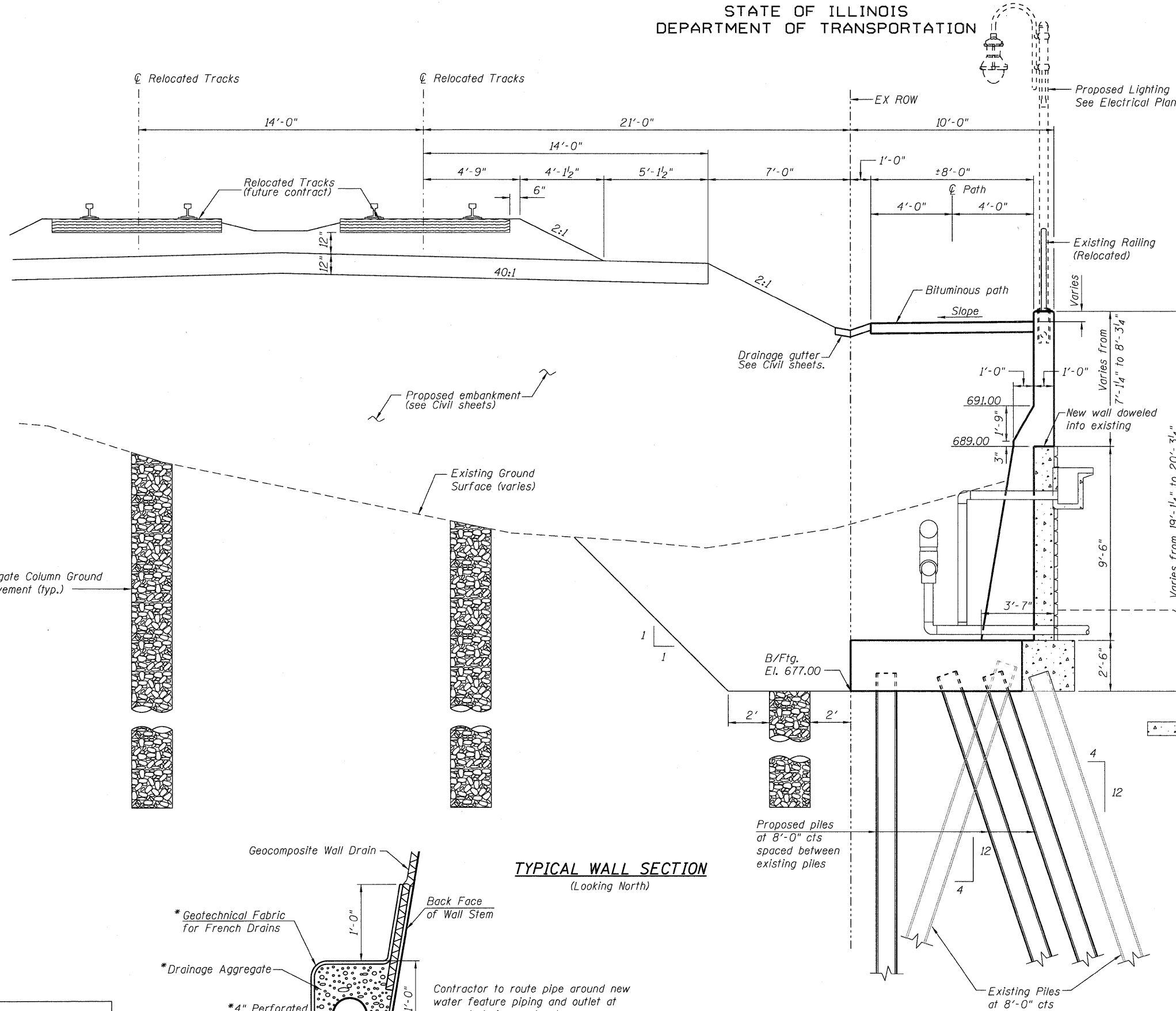
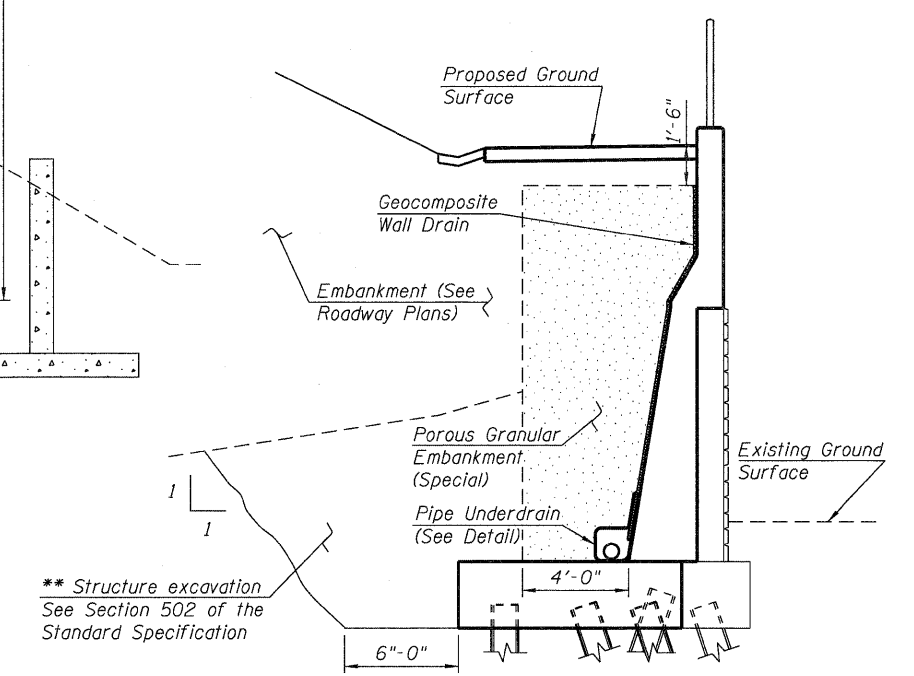


STATE OF ILLINOIS
DEPARTMENT OF TRANSPORTATION

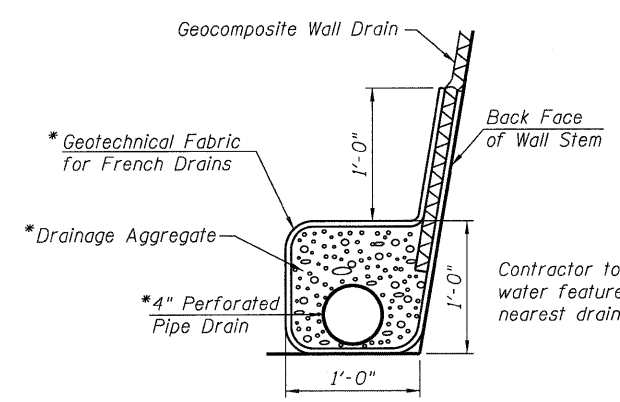


TYPICAL EXISTING WALL SECTION - REMOVAL



TYPICAL SECTION - UNDERDRAIN

** Structure excavation See Section 502 of the Standard Specification
** Backfill remainder of structure excavation and over excavation with same material specified for roadway embankment.



PIPE UNDERDRAIN DETAIL

* Included in the cost of "Pipe Underdrains for Structures 4"

TYPICAL WALL SECTION
(Looking North)

DESIGNED	PMH
CHECKED	JCE
DRAWN	PMH
CHECKED	JCE

McDonough Associates Inc.
Engineers / Architects
130 East Randolph Street Chicago, Illinois 60601

SHEET NO. 2 23 SHEETS	F.A.P RTE. 330	SECTION 73 R-B	COUNTY COOK	TOTAL SHEETS 136	SHEET NO. 91
	CONTRACT NO. 60K64				
DATE: 12/17/10		ILLINOIS FED. AID PROJECT			