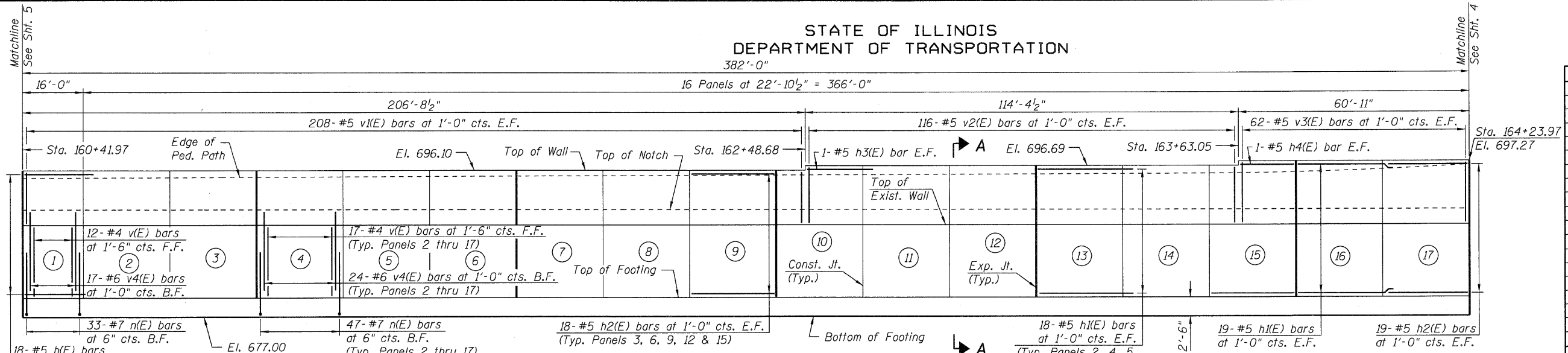


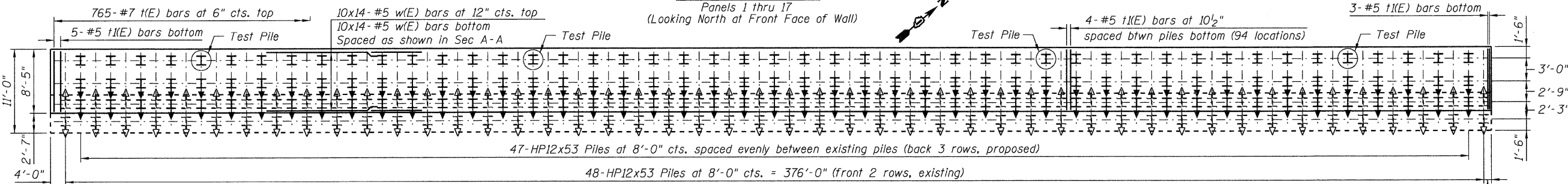
STATE OF ILLINOIS
DEPARTMENT OF TRANSPORTATION

382'-0"



WALL ELEVATION

Panels 1 thru 17
(Looking North at Front Face of Wall)



FOOTING PLAN

BILL OF MATERIAL

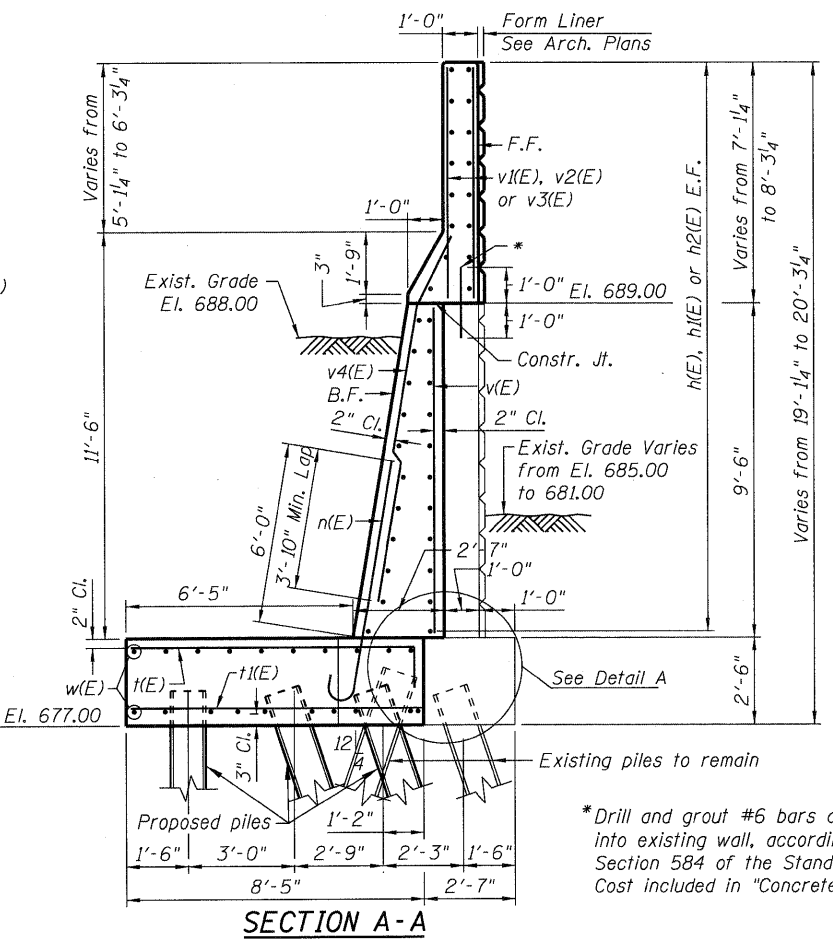
Bar	No.	Size	Length	Shape
n(E)	36	#5	18'-9"	—
h1(E)	362	#5	25'-7"	—
h2(E)	218	#5	22'-7"	—
h3(E)	2	#5	17'-11"	—
h4(E)	2	#5	14'-10"	—
n(E)	785	#7	8'-5"	—
t(E)	765	#7	9'-3"	—
t1(E)	384	#5	8'-1"	—
v(E)	284	#4	9'-2"	—
v1(E)	416	#5	6'-9"	—
v2(E)	232	#5	7'-4"	—
v3(E)	124	#5	7'-11"	—
v4(E)	401	#6	10'-7"	—
w(E)	280	#5	30'-0"	—
Concrete Removal				Cu. Yd. 86
Structure Excavation				Cu. Yd. 2,646
Concrete Structures				Cu. Yd. 660.1
Reinforcement Bars, Epoxy Coated				Pound 69,380
Furnishing Steel Piles HPI2x53				Foot 5,400
Driving Piles				Foot 5,400
Test Pile Steel HPI2x53				Each 4

NOTES:
Bars indicated thus 1 x 3-#5 etc. indicates 1 line of bars with 3 lengths per line.

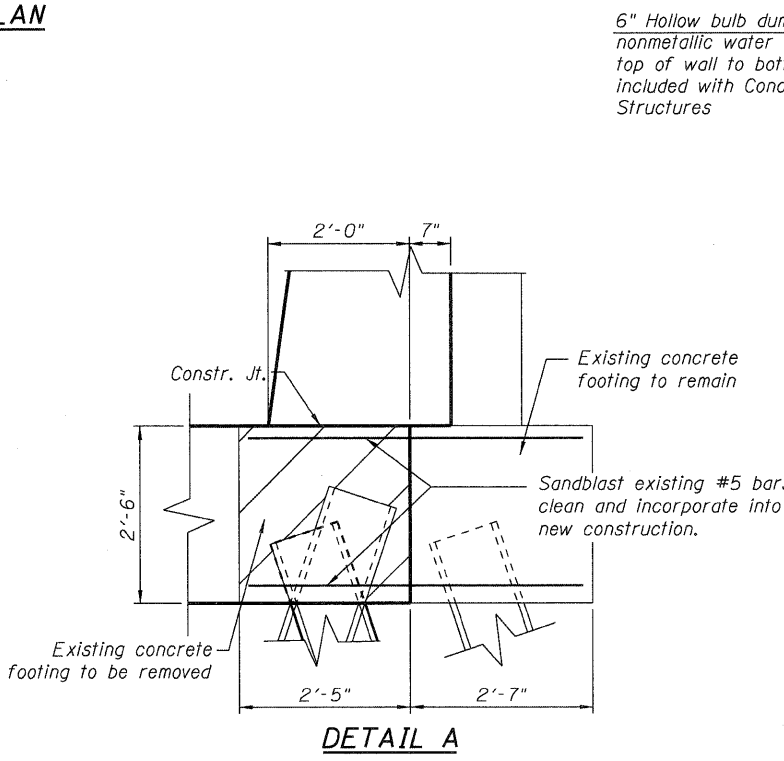
LEGEND:
F.F. = Front Face of Wall
B.F. = Back Face of Wall
E.F. = Each Face of Wall
⑭ = Panel No.

PILE DATA
TYPE: Steel HP12x53
Nominal required bearing = 391 kips
Allowable resistance available = 110 kips
EST. LENGTH: 38 feet (vertical)
No. REQ'D: 141 (Includes four test piles)

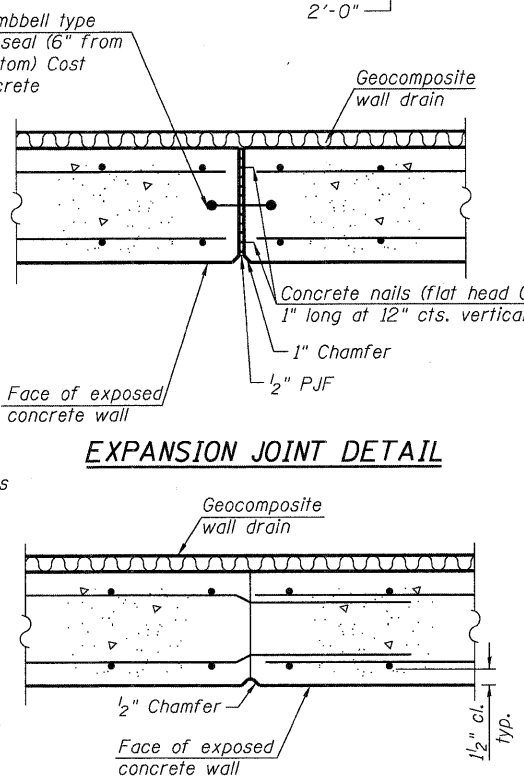
- New Straight Pile (no batter)
- New Battered Pile
- Existing Straight Pile (no batter)
- Existing Battered Pile



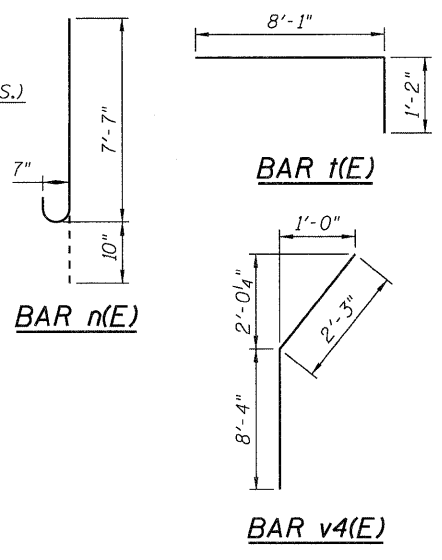
SECTION A-A



DETAIL A



CONSTRUCTION JOINT DETAIL



PLAN & ELEVATION
PANELS 1-17

DESIGNED	PMH
CHECKED	KJH
DRAWN	PMH
CHECKED	KJH

*Drill and grout #6 bars at 1'-0" cts. into existing wall, according to Section 584 of the Standard Specifications. Cost included in "Concrete Structures."

McDonough Associates Inc.
Engineers / Architects
130 East Randolph Street Chicago, Illinois 60601

SHEET NO. 3 23 SHEETS	F.A.P. RTE. 330	SECTION 73 R-B	COUNTY COOK	TOTAL SHEETS 136	SHEET NO. 92
	CONTRACT NO. 60K64				
DATE: 12/17/10		ILLINOIS FED. AID PROJECT			