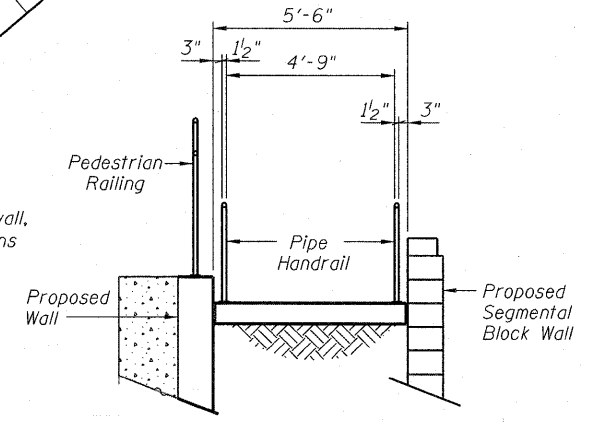
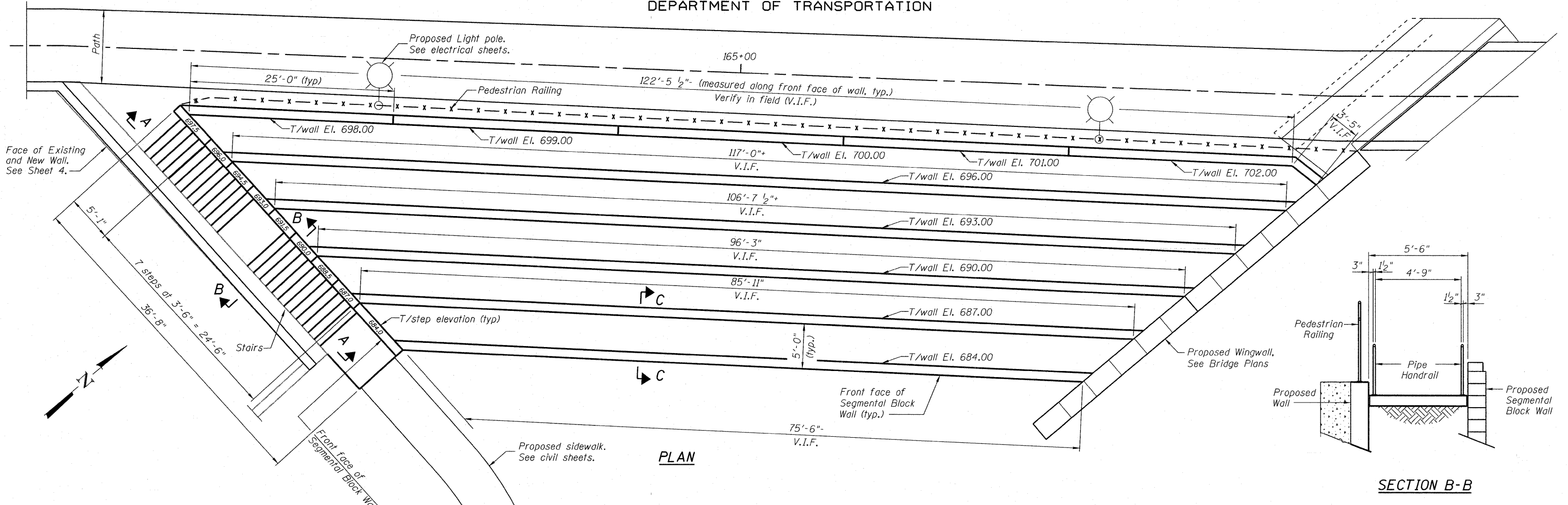


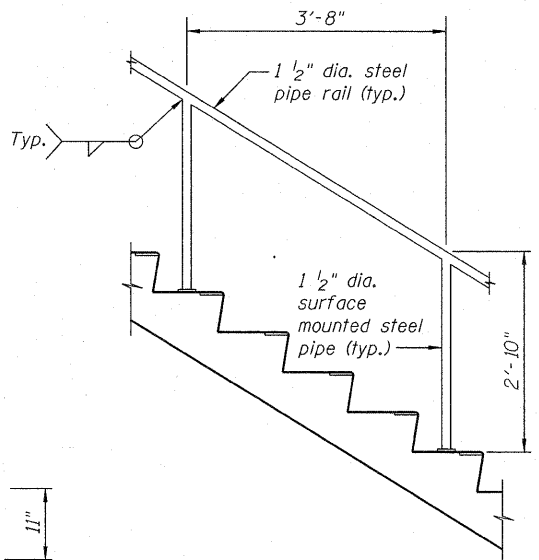
STATE OF ILLINOIS
DEPARTMENT OF TRANSPORTATION



SECTION B-B

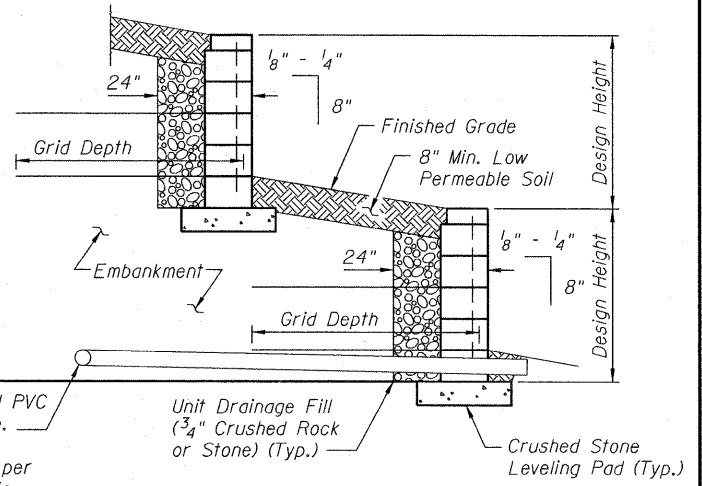
BILL OF MATERIAL

Bar	No.	Size	Length	Shape
h20(E)	60	#4	5'-2"	
h21(E)	12	#4	13'-3"	
u(E)	12	#4	3'-8"	
u(E)	12	#4	4'-8"	
Concrete Structures		Cu. Yd.	4.6	
Reinforcement Bars, Epoxy Coated		Pound	390	

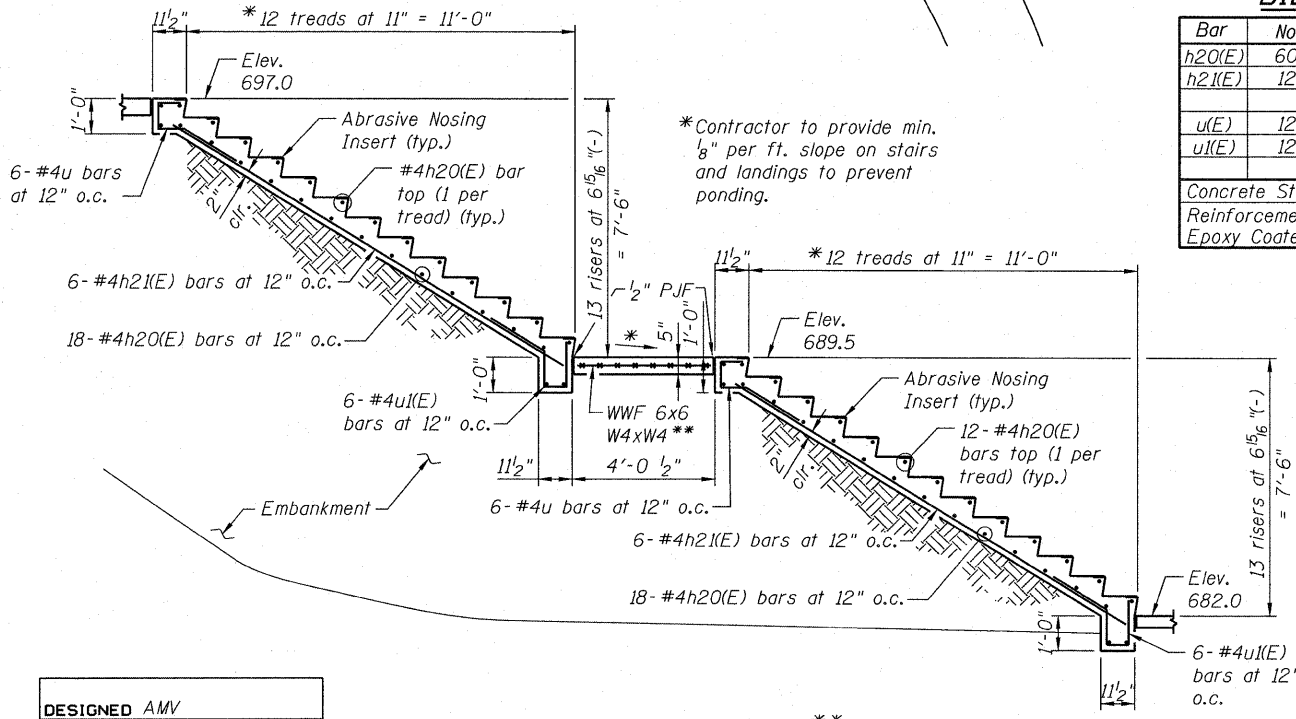


TYPICAL PIPE HANDRAIL DETAIL

Note:
Block Wall manufacturer shall take into account loading from the Pedestrian Railing located along the top course of the wall.

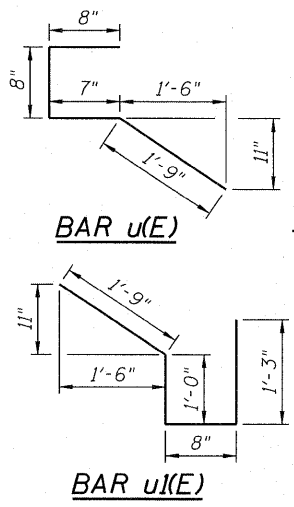


SECTION C-C



SECTION A-A

** Cost included in "Concrete Structures."



DESIGNED	AMV
CHECKED	JCE
DRAWN	AMV
CHECKED	JCE

McDonough Associates Inc.
Engineers / Architects
130 East Randolph Street Chicago, Illinois 60601

SHEET NO. 7 23 SHEETS	F.A.P. RTE.	SECTION	COUNTY	TOTAL SHEETS	SHEET NO.
	330	73 R-B	COOK	136	96
DATE: 12/17/10			ILLINOIS FED. AID PROJECT		
CONTRACT NO. 60K64					