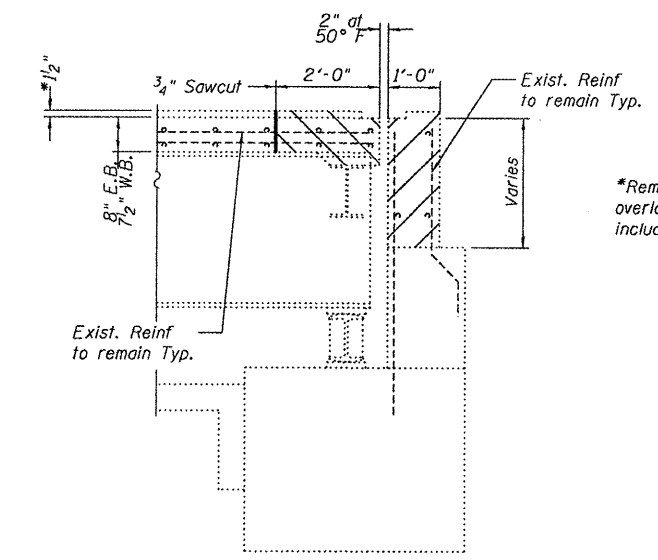
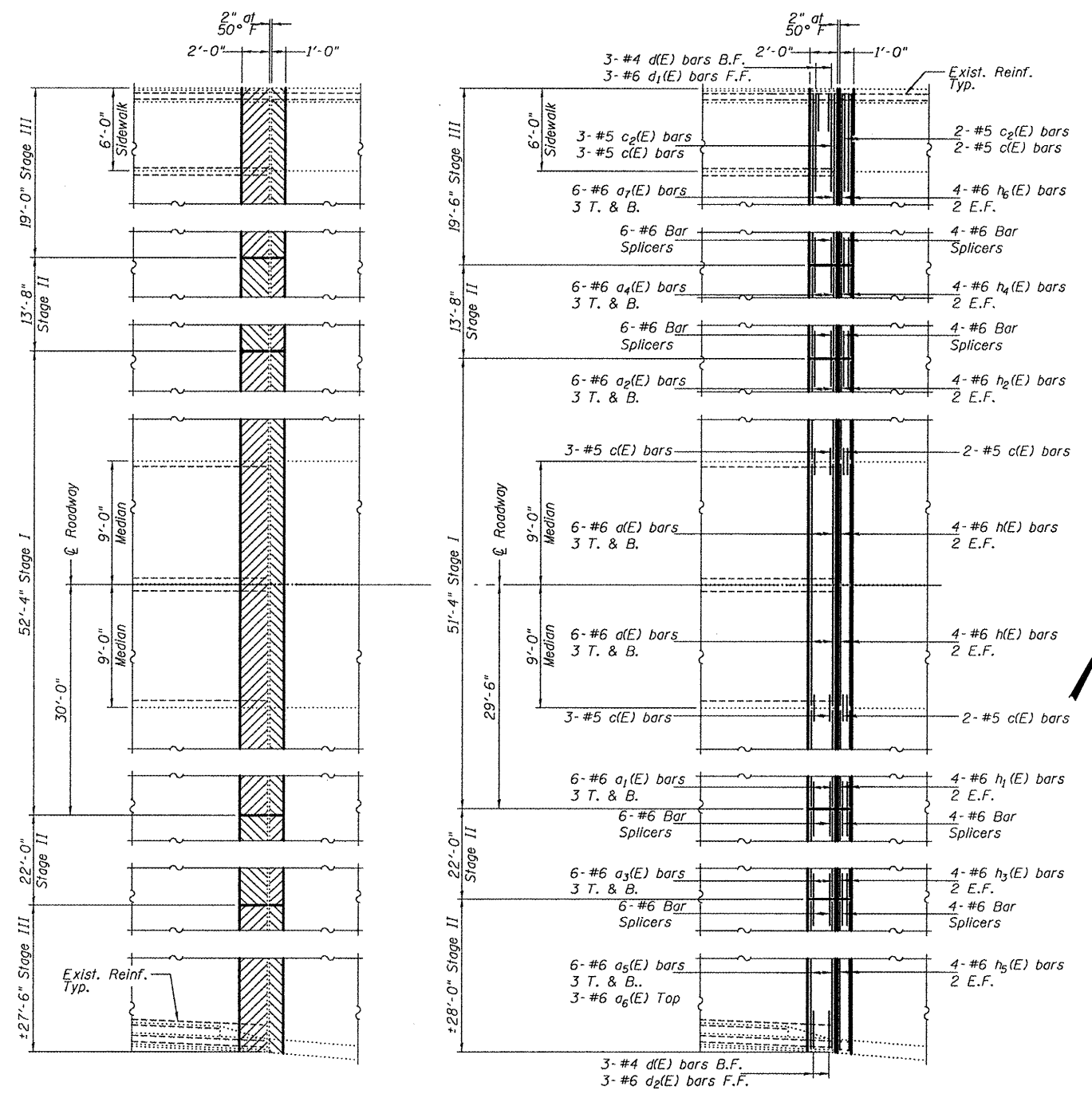
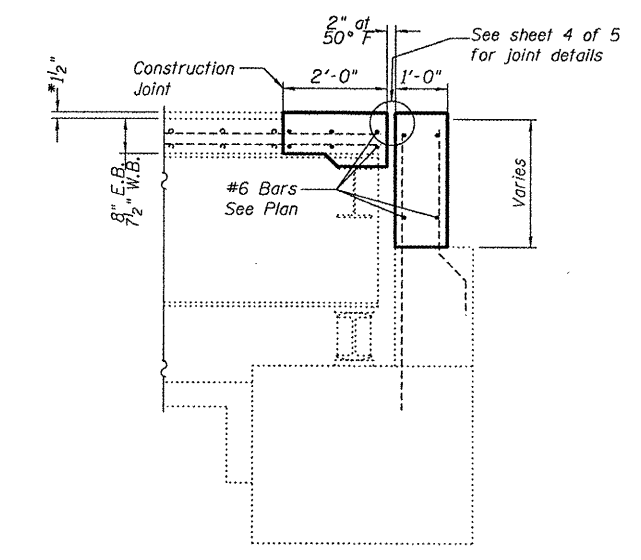


SN: 072-0134



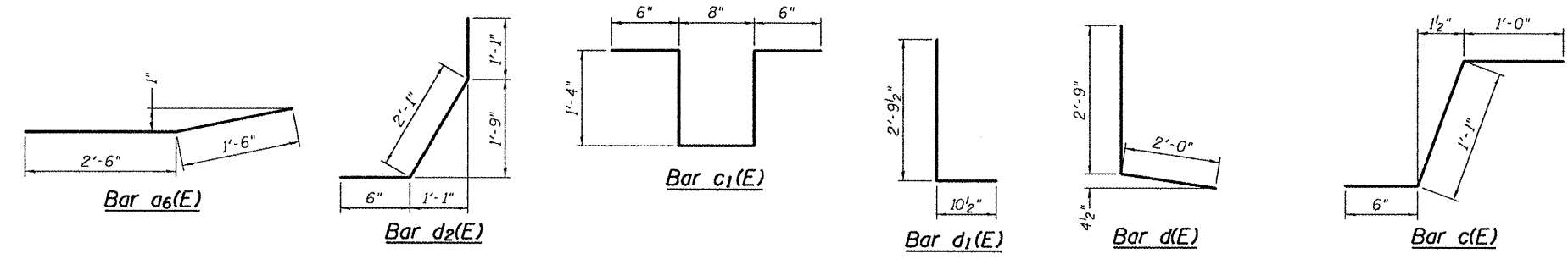
\*Removal of existing 1 1/2" HMA overlay at East Abutment is included with Concrete Removal.



**BILL OF MATERIAL**

Bar	No.	Size	Length	Shape
a(E)	12	#6	8'-6"	—
a <sub>1</sub> (E)	6	#6	20'-6"	—
a <sub>2</sub> (E)	6	#6	12'-10"	—
a <sub>3</sub> (E)	6	#6	21'-9"	—
a <sub>4</sub> (E)	6	#6	13'-5"	—
a <sub>5</sub> (E)	6	#6	27'-9"	—
a <sub>6</sub> (E)	3	#6	4'-0"	—
a <sub>7</sub> (E)	6	#6	19'-3"	—
c(E)	15	#5	2'-7"	—
c <sub>1</sub> (E)	6	#5	4'-4"	—
c <sub>2</sub> (E)	5	#5	5'-7"	—
d(E)	6	#4	4'-9"	—
d <sub>1</sub> (E)	3	#6	3'-8"	—
d <sub>2</sub> (E)	3	#6	3'-8"	—
h(E)	8	#6	8'-6"	—
h <sub>1</sub> (E)	4	#6	20'-6"	—
h <sub>2</sub> (E)	4	#6	12'-10"	—
h <sub>3</sub> (E)	4	#6	21'-9"	—
h <sub>4</sub> (E)	4	#6	13'-5"	—
h <sub>5</sub> (E)	4	#6	27'-9"	—
h <sub>6</sub> (E)	4	#6	19'-3"	—
Concrete Removal			Cu. Yd.	25.2
Concrete Superstructure			Cu. Yd.	25.2
Reinforcement Bars, Epoxy Coated			Lbs.	2,160

**STAMP AREA**  
This will not show up on the final plans when "Construction" Line Types are turned off. Snap to the Center of this rectangle to center STAMP in the area. Place STAMP on the Title Block Model.



DESIGNED - I.J.L.  
CHECKED - A.T.H.  
DRAWN - Drew Christopher  
CHECKED - I.J.L. A.T.H.

EXAMINED - *A. Carl Perry*  
ENGINEER OF STRUCTURAL SERVICES  
PASSED - *Ralph E. Anderson*  
ENGINEER OF BRIDGES AND STRUCTURES

STATE OF ILLINOIS  
DEPARTMENT OF TRANSPORTATION

EAST ABUTMENT DETAILS  
SN 072-0134  
SHEET NO. 3 OF 6 SHEETS

F.A.P. RITE: 317	SECTION: (48B)1	COUNTY: Peoria	TOTAL SHEETS: 6	SHEET NO.: 3
CONTRACT NO. ---			ILLINOIS FED. AID PROJECT	