

EXISTING TYPICAL SECTION

STA. 260+00.00 TO STA. 322+00.00 (EB)
 STA. 265+00.00 TO STA. 324+50.00 (WB)
 BRIDGE OMISSION
 STA. 269+36.65 TO STA. 269+65.81 (EB)
 STA. 269+36.48 TO STA. 269+65.64 (WB)
 STA. 285+04.56 TO STA. 288+26.23 (EB)
 STA. 285+04.56 TO STA. 288+26.23 (WB)

EXISTING LEGEND

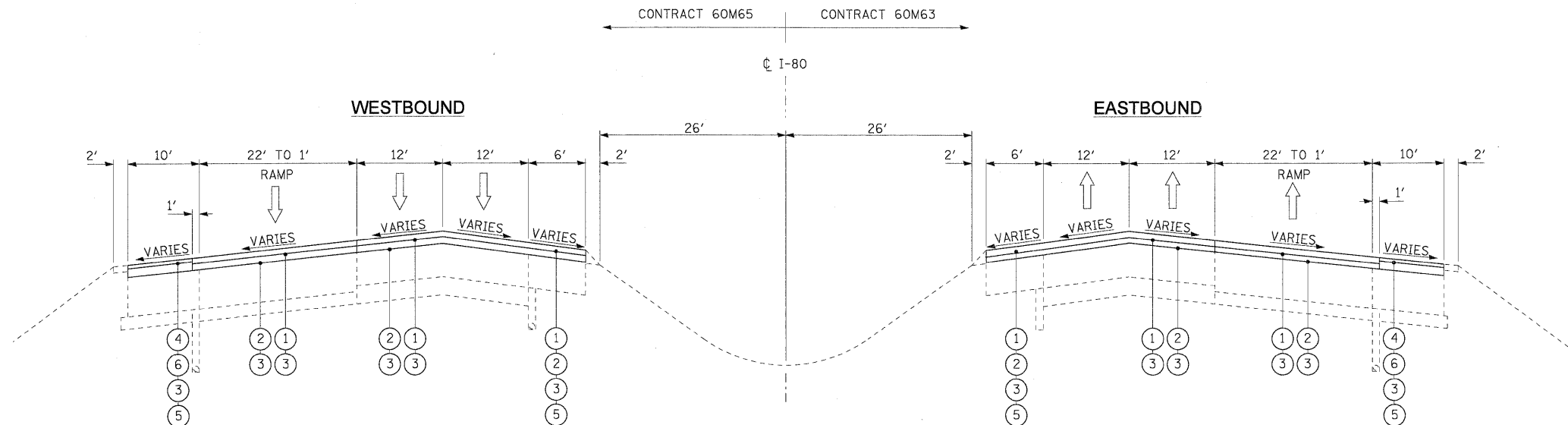
- (A) SMA OVERLAY, 4"±
- (B) P.C.C. PAVEMENT, 10"±
- (C) SUB-BASE GRANULAR MATERIAL
- (D) HMA SHOULDER, 8"±
- (E) AGGREGATE SHOULDER
- (F) PIPE UNDERDRAIN
- (G) HOT-MIX ASPHALT STABILIZATION (AT GUARDRAIL LOCATIONS)
- (H) C.R.C. PAVEMENT, 9"±
- (I) HMA PAVEMENT, 17"±
- (J) HMA SHOULDER, 17"±

REMOVAL LEGEND

- (a) HOT-MIX ASPHALT SURFACE REMOVAL, 4"
- (b) HOT-MIX APSHALT SURFACE REMOVAL, 2"

PROPOSED LEGEND

- (1) POLYMERIZED HOT-MIX ASPHALT SURFACE COURSE
STONE MATRIX ASPHALT, N80, 2"
- (2) POLYMERIZED HOT-MIX ASPHALT BINDER COURSE
STONE MATRIX ASPHALT, N80, 2"
- (3) BITUMINOUS MATERIALS (PRIME COAT)
- (4) HOT-MIX ASPHALT SURFACE COURSE,
MIX "D", N70, (IL 9.5mm), 1 1/2"
- (5) SHOULDER RUMBLE STRIP
- (6) HOT-MIX ASPHALT BINDER COURSE,
IL-19.0, N70, 2 1/2"



PROPOSED TYPICAL SECTION

STA. 260+00.00 TO STA. 322+00.00 (EB)
 STA. 265+00.00 TO STA. 324+50.00 (WB)
 BRIDGE OMISSION
 STA. 269+36.65 TO STA. 269+65.81 (EB)
 STA. 269+36.48 TO STA. 269+65.64 (WB)
 STA. 285+04.56 TO STA. 288+26.23 (EB)
 STA. 285+04.56 TO STA. 288+26.23 (WB)

NOTES

1. ALL PAVEMENT PATCHING SHALL BE PLACED AT LOCATIONS AS APPROVED BY THE ENGINEER. THE DEPTH OF THE PATCH SHALL BE EQUAL TO THE THICKNESS OF EXISTING PCC PAVEMENT AND SHALL NOT INCLUDE THE DEPTH OF THE HOT-MIX ASPHALT, 4".
2. THE CONTRACTOR SHALL MAINTAIN THE EXISTING CROSS SLOPES.
3. PAVEMENT UNDERDRAIN IS SHOWN FOR INFORMATION ONLY. DURING PAVEMENT PATCHING OPERATIONS, CARE SHOULD BE TAKEN TO MINIMIZE ANY DAMAGE TO THE UNDERDRAIN. ANY DAMAGE CAUSED TO THE UNDERDRAIN BY THE CONTRACTOR'S OPERATIONS SHALL BE REPAIRED BY THE CONTRACTOR AT THE CONTRACTOR'S EXPENSE.
4. ALL EASTBOUND WORK IS IN CONTRACT 60M63 AND ALL WESTBOUND WORK IS IN CONTRACT 60M65.

DESIGNED - LLS/JG	REVISIONS -	HBP Illinois Partners	STATE OF ILLINOIS DEPARTMENT OF TRANSPORTATION		TYPICAL SECTIONS I-80 MAINLINE			F.A.I. RTE.	SECTION	COUNTY	TOTAL SHEETS	SHEET NO.
USER NAME = dorinkovich	DRAWN - PMS/DC							80	99-1-RS-4	WILL	116	6
PLCT SCALE = 1/8"=1'	CHECKED - JAL							CONTRACT NO. 60M63				
PLCT DATE = 20-JAN-2011	DATE = 01/21/2011							FED. ROAD DIST. NO. 1 ILLINOIS FED. AID PROJECT				
FILE NAME = 1P_PWP\dms34560\1160M63-sh-typicol.02.dgn			SCALE: N.T.S.	SHEET NO. 2 OF 4 SHEETS	STA. N/A TO STA. N/A							