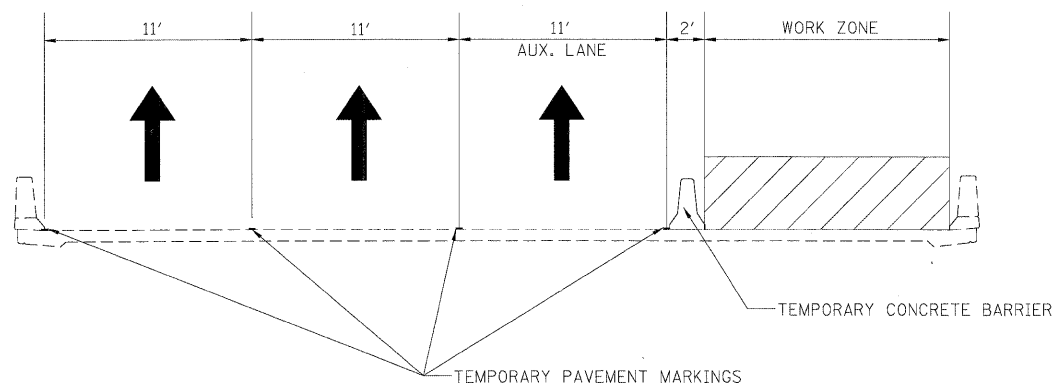
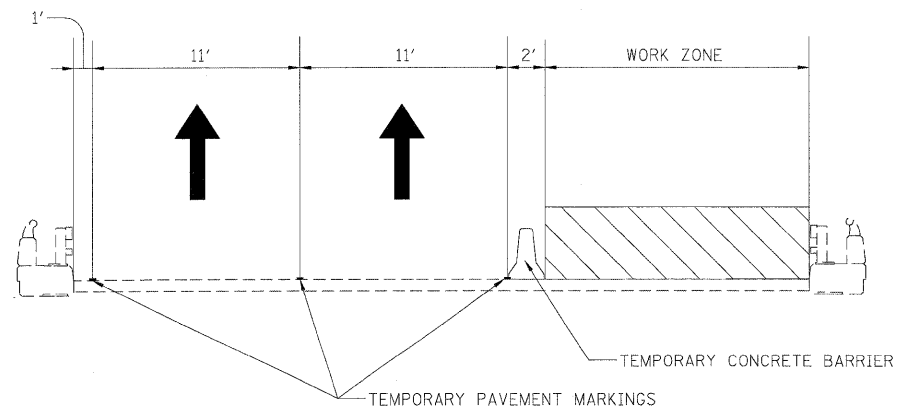


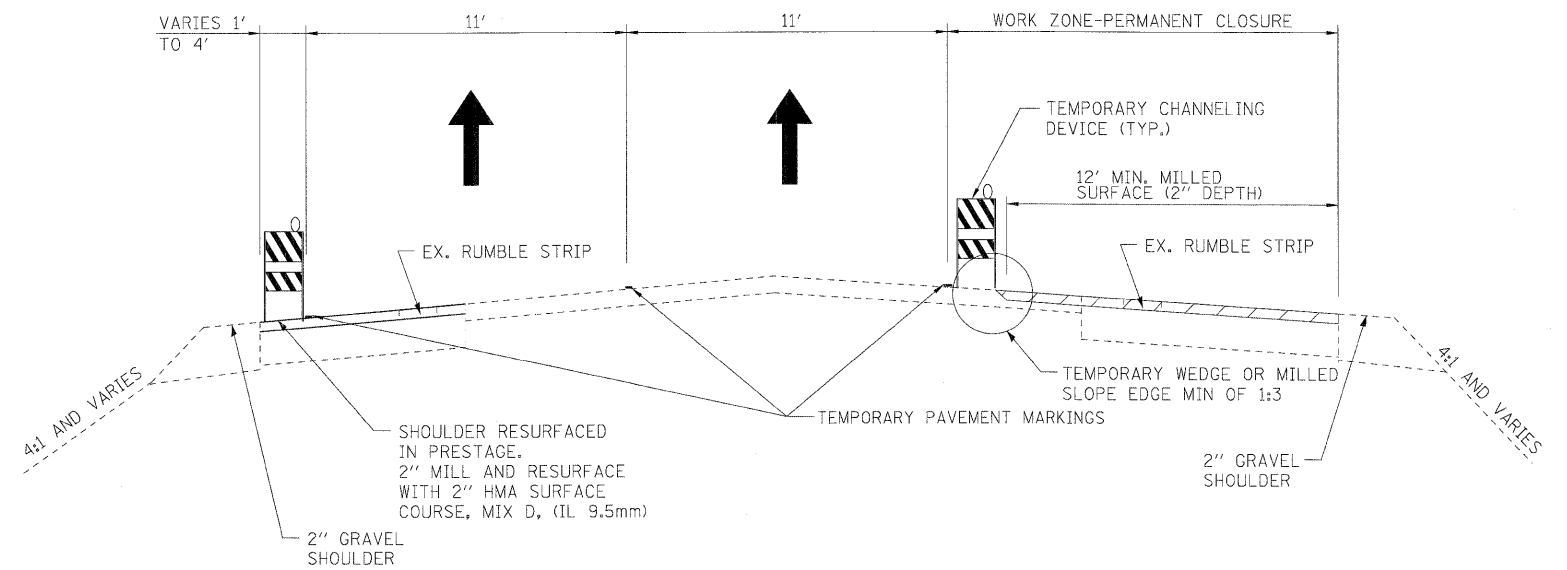
STAGE 1 CONSTRUCTION FOR EB I-80 OVER FRONTAGE ROAD
LOOKING EAST



STAGE 1 CONSTRUCTION FOR EB I-80 OVER I-55
LOOKING EAST



STAGE 1 CONSTRUCTION FOR EB I-80 OVER ROCK RUN CREEK
LOOKING EAST



STAGE 1 PERMANENT CLOSURE
LOOKING EAST

USER NAME = dornkovich	DESIGNED - LLS/JG	REVISED -		STATE OF ILLINOIS DEPARTMENT OF TRANSPORTATION	MAINTENANCE OF TRAFFIC - STAGE 1 TYPICAL SECTIONS			F.A.I. RTE.	SECTION	COUNTY	TOTAL SHEETS	SHEET NO.
PLOT SCALE = 1/8"=1'	DRAWN - PMS/DC	REVISED -						80	99-1-RS-4	WILL	116	34
PLOT DATE = 20-JAN-2011	CHECKED - JAL	REVISED -			CONTRACT NO. 60M63							
FILE NAME = 1P_PWPdms34562\DI60M63-sht-MOT-STG.1-typ.01.dgn	DATE - 01/21/2011	REVISED -			FED. ROAD DIST. NO. 1 [ILLINOIS] FED. AID PROJECT							
			SCALE: N.T.S.			SHEET NO. 1 OF 1 SHEETS			STA. N/A TO STA. N/A			