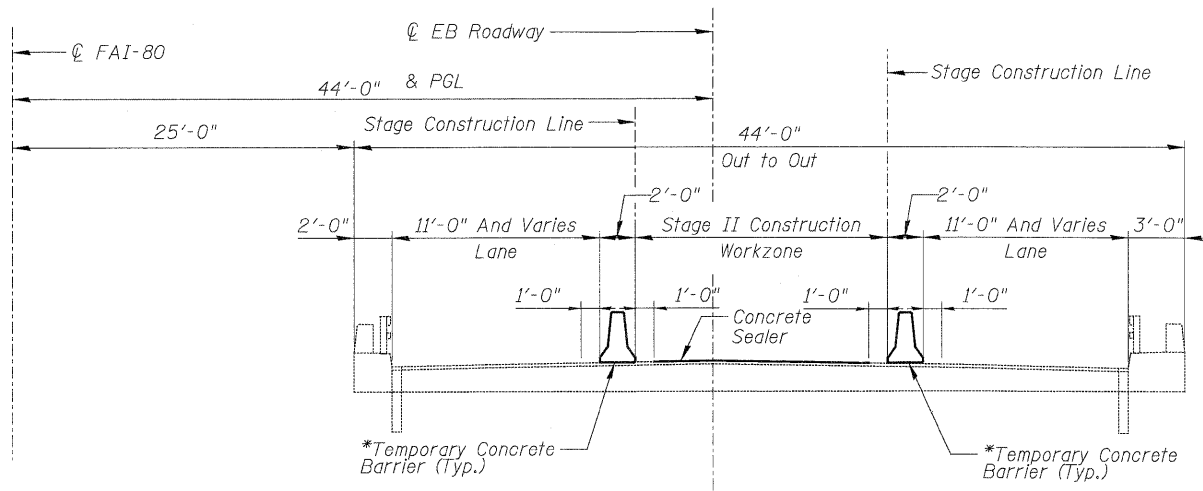
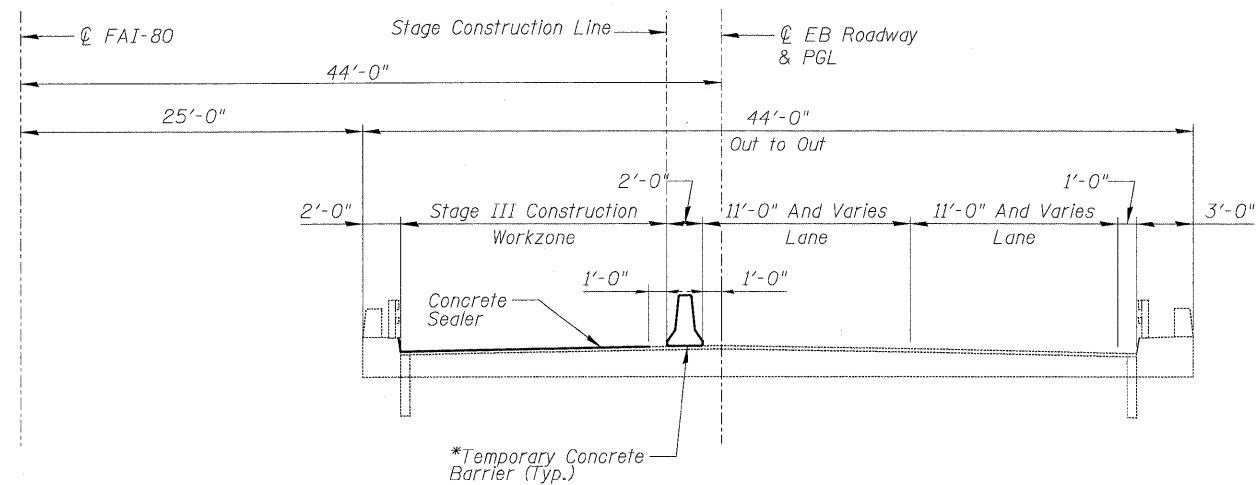


STAGE I CONSTRUCTION & TRAFFIC
(Looking East)



STAGE II CONSTRUCTION & TRAFFIC
(Looking East)

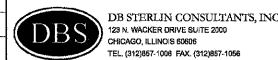


STAGE III CONSTRUCTION & TRAFFIC
(Looking East)

NOTE

* A Barricade Type II shall be used in lieu of Temporary Concrete Barrier for closures less than 24 hours. See Roadway Plans for details.

USER NAME =	DESIGNED - GMK	REVISED -
PLOT SCALE =	DRAWN - GFP	REVISED -
PLOT DATE =	CHECKED - WPK/GMK	REVISED -
FILE NAME =	DATE - 01/21/2011	REVISED -



STATE OF ILLINOIS
DEPARTMENT OF TRANSPORTATION

CONSTRUCTION STAGING
I-80 OVER ROCK RUN CREEK
SN-099-0046

SHEET NO. S-5 OF S-6 SHEETS

F.A.I. RTE.	SECTION	COUNTY	TOTAL SHEETS	SHEET NO.
80	99-1-RS-4	WILL	116	93
FED. ROAD DIST. NO. 1 [ILLINOIS] FED. AID PROJECT			CONTRACT NO. 60M63	