

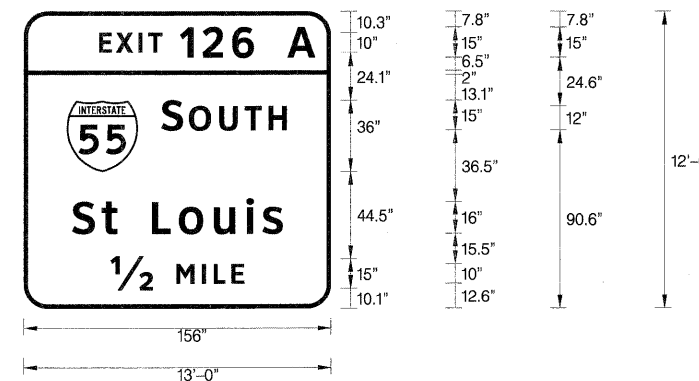
SIGN NUMBER	name
WIDTH x HGHT.	11'-0" x 8'-0"
BORDER WIDTH	2"
CORNER RADIUS	12"
MOUNTING	Overhead
BACKGROUND	TYPE: Reflective COLOR: Green
LEGEND,BORDER	TYPE: Reflective COLOR: White,White

SYMBOL	ROT	X	Y	WID	HT
M1-1	0	14.9	47.2	36	36

NOTE: Letter locations are string start to lower left corner

LETTER POSITIONS (X) IN INCHES										LENGTH	SERIES,SIZE
W	E	S	T								ClearviewHwy-5-W
61.6	86.4	97.1	108.5							55.6	15,12
I	o	w	a								ClearviewHwy-5-W
36	44.7	60.7	82.4							58.3	16,13

SIGN NO. WB-TR-41 STA. 310+96



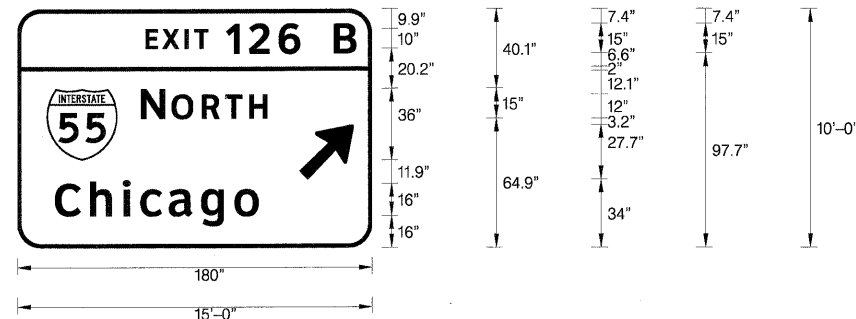
SIGN NUMBER	name
WIDTH x HGHT.	13'-0" x 12'-6"
BORDER WIDTH	2"
CORNER RADIUS	12"
MOUNTING	Overhead
BACKGROUND	TYPE: Reflective COLOR: Green
LEGEND,BORDER	TYPE: Reflective COLOR: White,White

SYMBOL	ROT	X	Y	WID	HT
M1-1	0	21.9	69.5	36	36

NOTE: Letter locations are panel edge to lower left corner

LETTER POSITIONS (X) IN INCHES										LENGTH	SERIES,SIZE		
E	X	I	T	1	2	6	A				ClearviewHwy-5-W		
38.3	46.8	58.2	63.1	79.3	90.9	105.9	134				109.8	10,15	
S	O	U	T	H								ClearviewHwy-5-W	
69.9	83.9	99.3	112.2	124.4								63.7	15,12
S	t		L	o	u	i	s						ClearviewHwy-5-W
24.6	39.6	47.4	65.1	78.8	96.5	113.1	121.3					106.9	16,13
12	M	I	L	E									ClearviewHwy-5-W
44.1	77.5	90.6	96.5	105.5								67.8	15,10

SIGN NO. WB-TR-42 STA. 310+96



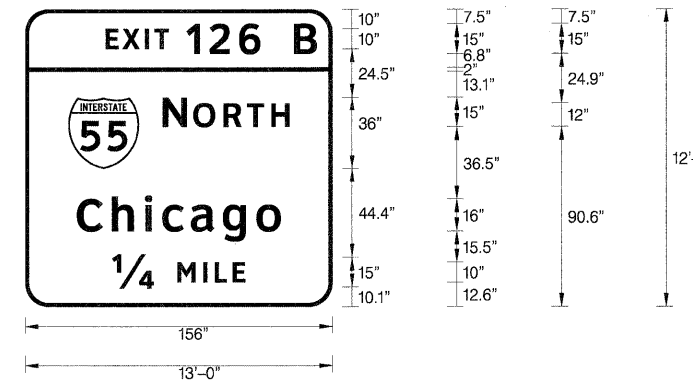
SIGN NUMBER	name
WIDTH x HGHT.	15'-0" x 10'-0"
BORDER WIDTH	2"
CORNER RADIUS	12"
MOUNTING	Overhead
BACKGROUND	TYPE: Reflective COLOR: Green
LEGEND,BORDER	TYPE: Reflective COLOR: White,White

SYMBOL	ROT	X	Y	WID	HT
M1-1	0	14.8	43.9	36	36
ARROW	45	143.2	34	22.3	35.7

NOTE: Letter locations are panel edge to lower left corner

LETTER POSITIONS (X) IN INCHES										LENGTH	SERIES,SIZE		
E	X	I	T	1	2	6	B				ClearviewHwy-5-W		
65.1	73.6	85	90	106.2	117.7	132.8	160.8				107.1	10,15	
N	O	R	T	H								ClearviewHwy-5-W	
62.8	78.3	93.7	105.6	117.8								64.2	15,12
C	h	i	c	a	g	o						ClearviewHwy-5-W	
19.1	36.9	53.7	62.5	77	93.2	110.3						103.5	16,13

SIGN NO. WB-TR-43 STA. 310+96



SIGN NUMBER	name
WIDTH x HGHT.	13'-0" x 12'-6"
BORDER WIDTH	2"
CORNER RADIUS	12"
MOUNTING	Overhead
BACKGROUND	TYPE: Reflective COLOR: Green
LEGEND,BORDER	TYPE: Reflective COLOR: White,White

SYMBOL	ROT	X	Y	WID	HT
M1-1	0	21.9	69.5	36	36

NOTE: Letter locations are panel edge to lower left corner

LETTER POSITIONS (X) IN INCHES										LENGTH	SERIES,SIZE		
E	X	I	T	1	2	6	B				ClearviewHwy-5-W		
40.9	49.5	60.9	65.8	82	93.6	108.6	136.7				107.1	10,15	
N	O	R	T	H								ClearviewHwy-5-W	
69.9	85.4	100.8	112.7	125								64.2	15,12
C	h	i	c	a	g	o						ClearviewHwy-5-W	
26.3	44.1	60.9	69.7	84.1	100.4	117.5						103.5	16,13
14	M	I	L	E								ClearviewHwy-5-W	
44.3	77.3	90.4	96.4	105.4								67.5	15,10

SIGN NO. WB-BS-45 STA. 322+40