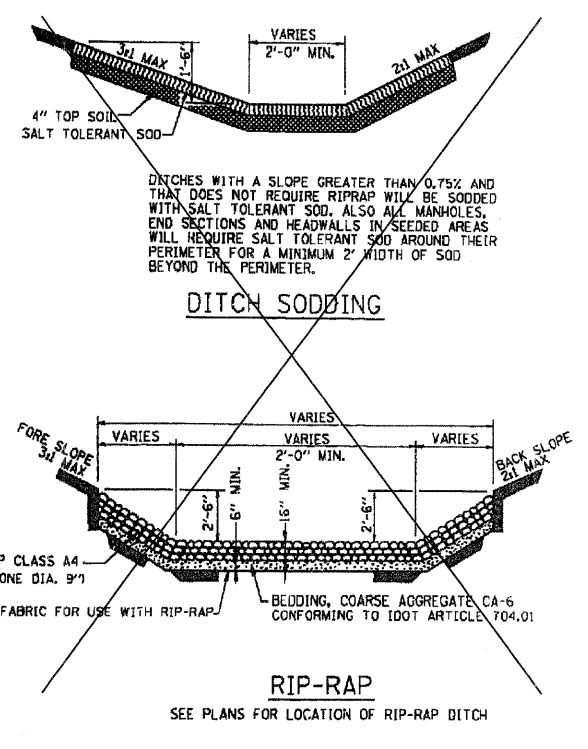
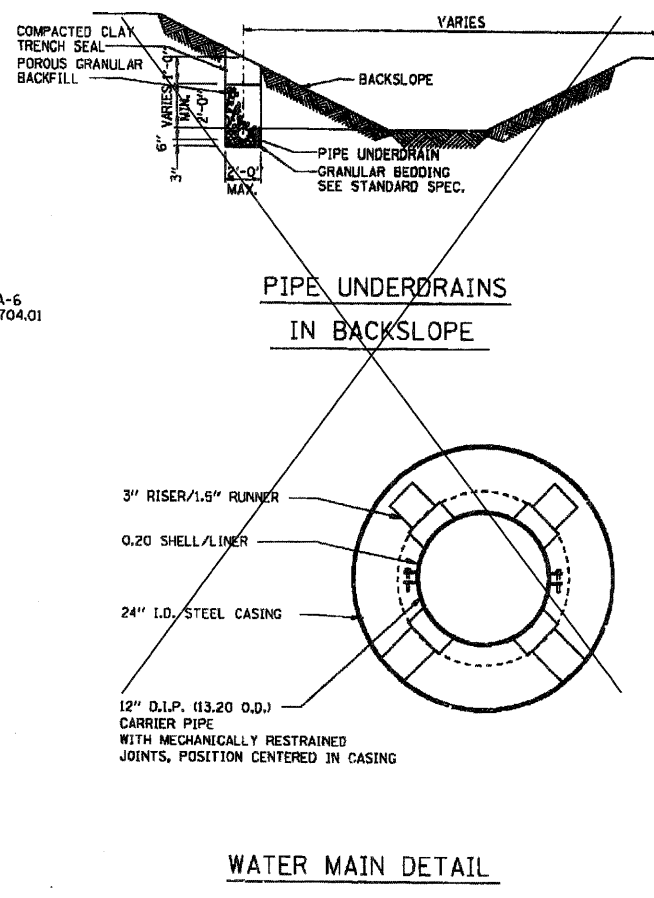
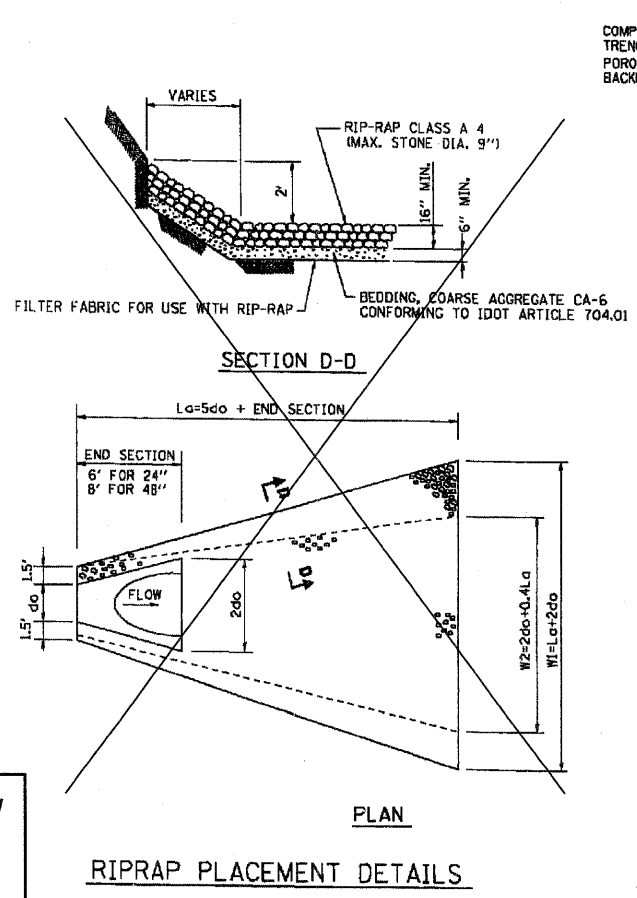
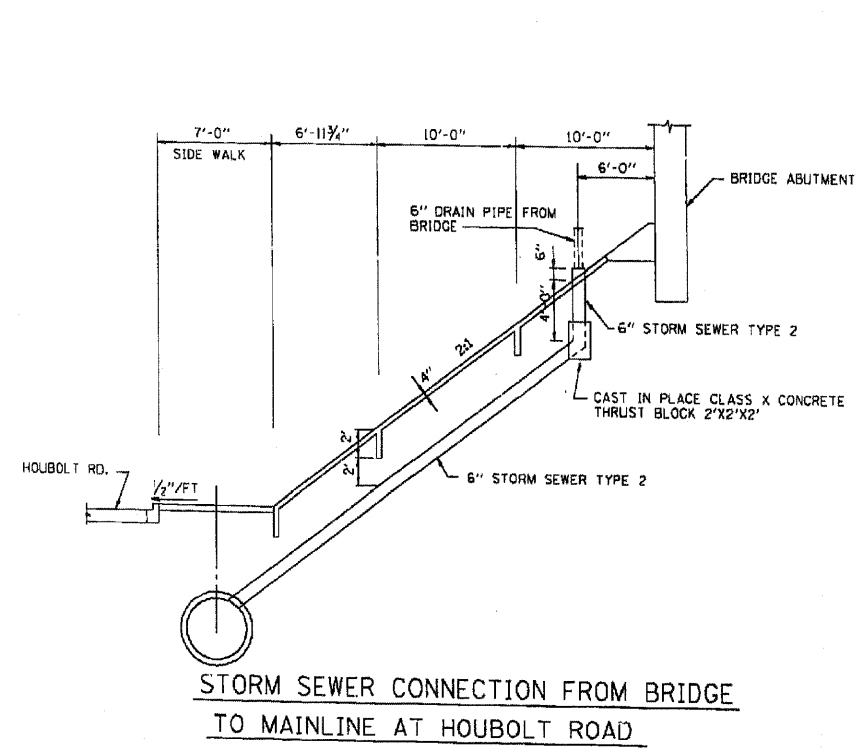


END SECTION NO.	LOCATION	PIPE SIZE	d ₀	L _a	W ₁	W ₂
96	STA. 168+65 5' RT	24"	2.0'	16'	20'	10.4'
94	STA. 168+75 4' LT	24"	2.0'	16'	20'	10.4'
1A	STA. 498+00 MOUND RD. 32' RT	24"	2.0'	16'	20'	10.4'
2	STA. 158+40 0+00, 180' RT	24"	2.0'	16'	20'	10.4'
51B	STA. 2+00 RAMP A 50' LT	24"	2.0'	16'	20'	10.4'
52B	STA. 15+00 RAMP B 90' RT	24"	2.0'	16'	20'	10.4'
54	STA. 242+20 87' RT	24"	2.0'	16'	20'	10.4'
80	STA. 508+27 MOUND RD. 50' RT	42"	3.5'	17.5'	27.5'	14.5'
88	STA. 506+73 MOUND RD. 42' RT	48"	4.0'	28'	36'	18.2'

STRUCT. NO.	* STATION (OFFSET)	RESTRICTOR TYPE	INSIDE RESTRICTOR DIAMETER d (in)	INV. EL. RESTRICTOR HOLE	ELEVATION OF TOP OF PLATE (OVERFLOW)	INLET PIPE DIAMETER	OUTLET PIPE DIAMETER
21B	112+00 (40'LT)	RE-ENRANT TUBE	7"	592.52	596.41	42"	42"
58	144+05 (40'LT)	RE-ENRANT TUBE	7"	577.27	580.00	30"	30"
59	144+00 (40'RT)	RE-ENRANT TUBE	7"	578.49	582.00	21"	21"
64	155+60 (40'RT)	RE-ENRANT TUBE	8"	576.13	579.41	21"	21"
67	155+90 (40'LT)	RE-ENRANT TUBE	9"	575.04	578.00	30"	30"
71	156+45 (40'LT)	RE-ENRANT TUBE	10"	572.52	576.50	24"	24"
85	15+83 (25'LT) RAMP D	RE-ENRANT TUBE	9"	573.48	576.50	24"	24"
79	161+00 (40'LT)	RCP	12"	564.00	**	12"	42"
88	506+73 (20'RT) MOUND ROAD	RE-ENRANT TUBE	8"	561.90	568.00	48"	48"
80	508+20 (15'RT)	RE-ENRANT TUBE	11"	561.12	569.00	42"	42"
94	168+08 (62'LT)	RE-ENRANT TUBE	16"	537.83	542.00	24"	24"
96	168+08 (65'RT)	RE-ENRANT TUBE	18"	537.93	541.50	24"	24"

**DRAINAGE CONTROL STRUCTURE, MANHOLES, TYPE A, 6'-DIAMETER
TYPE 1 FRAME, CLOSED LID, RESTRICTOR PLATE**

* STATIONING IS RELATIVE TO HOUBOLT ROAD UNLESS OTHERWISE NOTED.
** OVERFLOW PROVIDED BY 24" DIAMETER RCP WITH AN INVERT ELEVATION 569.00



FOR INFORMATION ONLY

Designed by
FLUOR DANIEL
Job No. 838700
City: Chicago, Ill. 60666
Date: 1/17/2011

REVISIONS		DATE	

DRAINAGE AND WATER MAIN DETAILS			
STATE OF ILLINOIS			
DEPARTMENT OF TRANSPORTATION			
FAI-80 OVER HOUBOLT RD. (FAU-0325)			
SN 099-0301 E.B. AND 099-0302 W.B.			
PHASE II			
WILL COUNTY			