

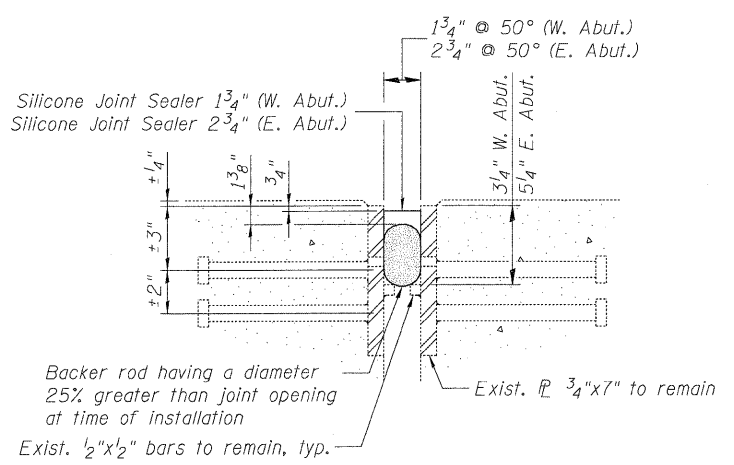
DECK PLAN

LEGEND

- Deck Slab Repair (Partial)
- Deck Slab Repair (Full Depth, Type II)

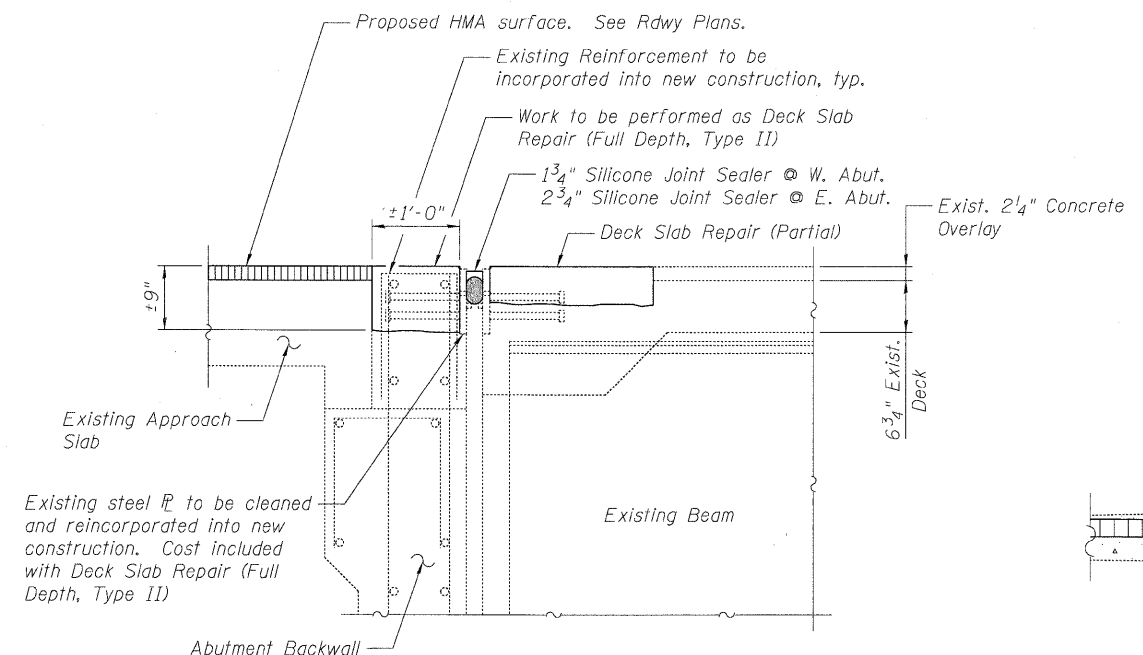
NOTES

1. Contractor may remove and replace guardrail/railing components to facilitate joint seal replacement. Cost included with Silicone Joint Sealer of the size specified.
2. Contractor shall remove weeds or other debris in joint during removal and replacement as directed by the Engineer. Cost included with Silicone Joint Sealer of the size specified.



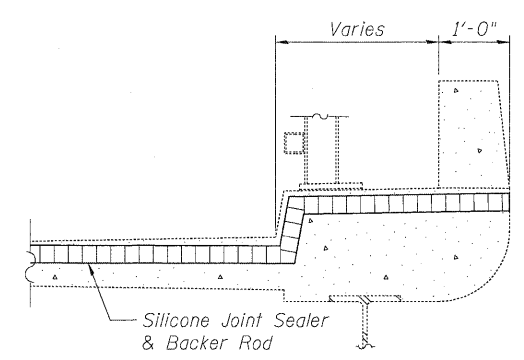
SECTION A-A

(Joint Details)
(Dimensions at Rt. L to C. Abut.)



SECTION B-B

(Showing new concrete)
(Dimensions at Rt. L to C. Abut.)



DETAIL FOR CURB TREATMENT

USER NAME = mueller	DESIGNED - DF	REVISED -		STATE OF ILLINOIS DEPARTMENT OF TRANSPORTATION	DECK AND JOINT REPAIR DETAILS WESTBOUND I-80 OVER JOLIET JUNCTION TRAIL STRUCTURE NO. 099-0049		F.A.I. RTE.	SECTION	COUNTY	TOTAL SHEETS	SHEET NO.
PLT SCALE = NTS	DRAWN - LAM	REVISED -			80	99(3&4)RS-4	WILL	117	100		
PLT DATE = 1/17/2011 4:44:55 PM	CHECKED - BLU	REVISED -			CONTRACT NO. 60M65						
DATE = 01/19/2011	REVISOR -	REVISED -			FED. ROAD DIST. NO. [ILLINOIS] FED. AID PROJECT						
SHEET NO. S-3 OF S-6 SHEETS											

s:\1056\105_cadd\cadd sheets\0990049-60M65-003-RPR.dgn