

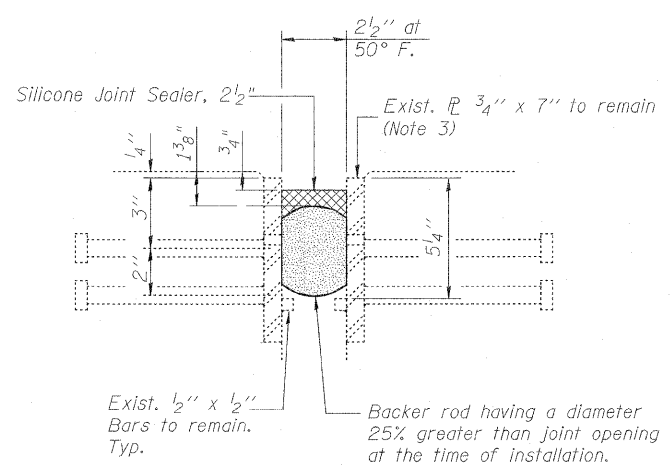
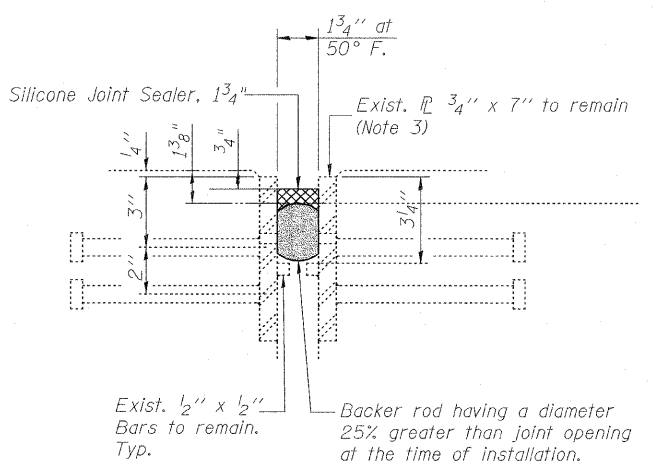
**BILL OF MATERIAL**

ITEM	UNIT	TOTAL
Deck Slab Repair (Full Depth, Type I)	Sq. Yd.	4
Deck Slab Repair (Full Depth, Type II)	Sq. Yd.	19
Deck Slab Repair (Partial)	Sq. Yd.	20
Silicone Joint Sealer, 1 3/4"	Foot	45
Silicone Joint Sealer, 2 1/2"	Foot	45

**LEGEND:**

- Deck Slab Repair (Partial)
- Deck Slab Repair (Full Depth, Type I)
- Deck Slab Repair (Full Depth, Type II)

**PLAN**



- Notes:
- See General Note 4 on Sheet S1 of S6.
  - Removal and disposal of the existing joint fillers will be included with the cost of Silicone Joint Sealer, of the size specified.
  - Existing plates to be cleaned prior to installation of backer rod. Cost included with Silicone Joint Sealer, of the size specified.

**DECK EXPANSION JOINT DETAILS**