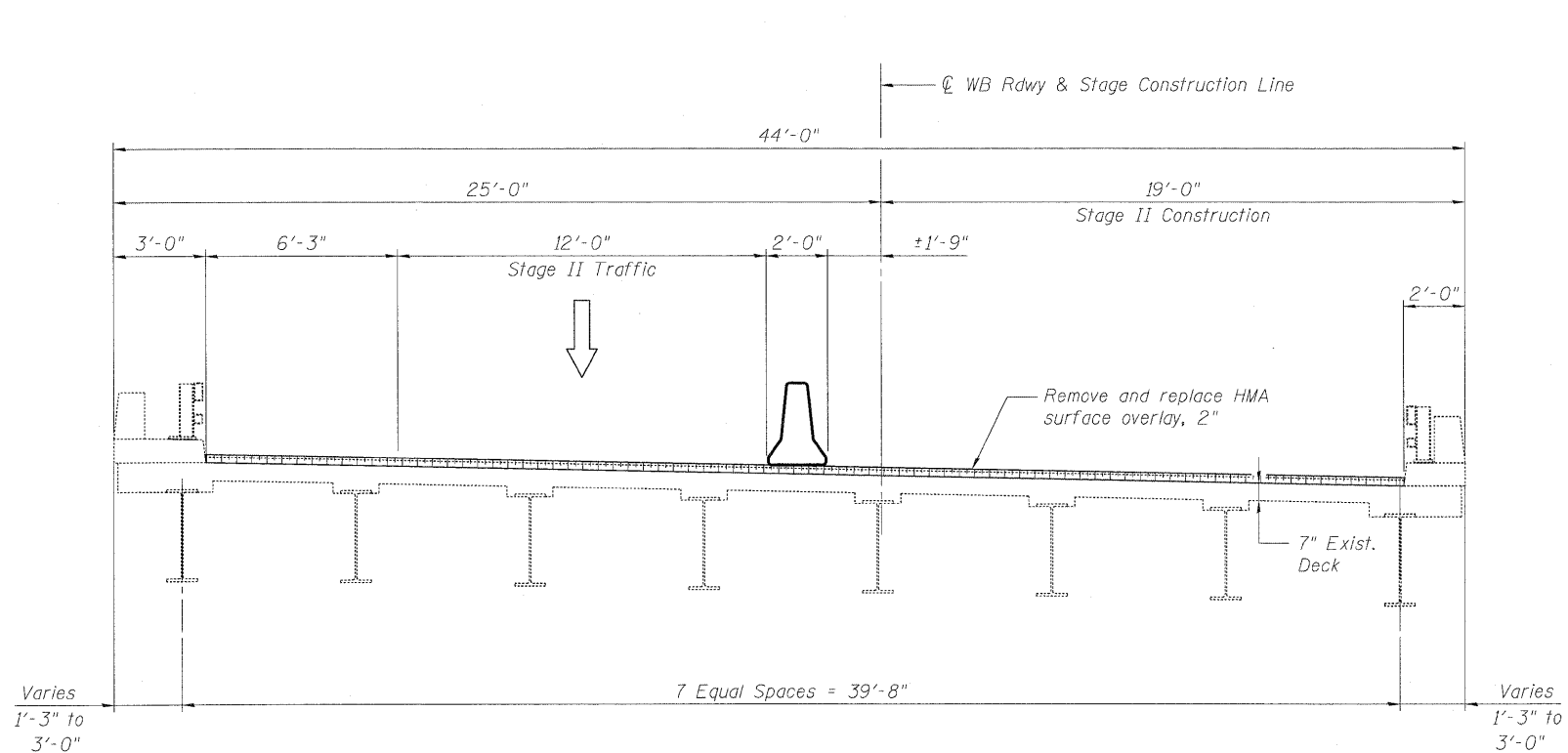


STAGE I CONSTRUCTION



STAGE II CONSTRUCTION

USER NAME = Imueller	DESIGNED - DF	REVISED -
PLOT SCALE = NTS	DRAWN - LAM	REVISED -
PLOT DATE = 1/19/2011 2:17:46 PM	CHECKED - BLU	REVISED -
	DATE - 1/20/2011	REVISED -



**STATE OF ILLINOIS
DEPARTMENT OF TRANSPORTATION**

**CONSTRUCTION STAGING
WESTBOUND FAI-80 OVER CENTER STREET RAMP CC
STRUCTURE NO. 099-0054**
SHEET NO. S-2 OF S-5 SHEETS

F.A.I. RTE.	SECTION	COUNTY	TOTAL SHEETS	SHEET NO.
80	99(4&4-1)RS-3	WILL	203	106
FED. ROAD DIST. NO.			ILLINOIS FED. AID PROJECT	
			CONTRACT NO. 60M66	