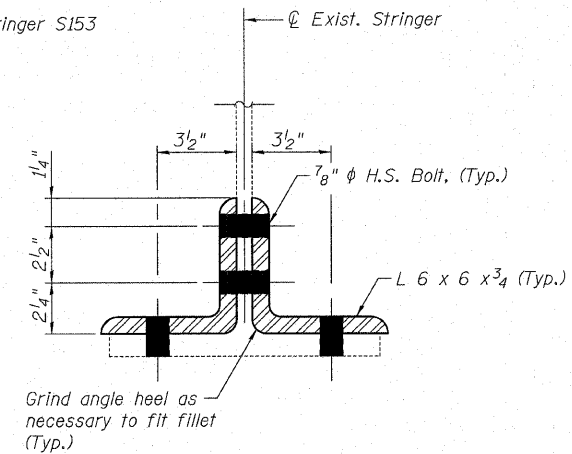
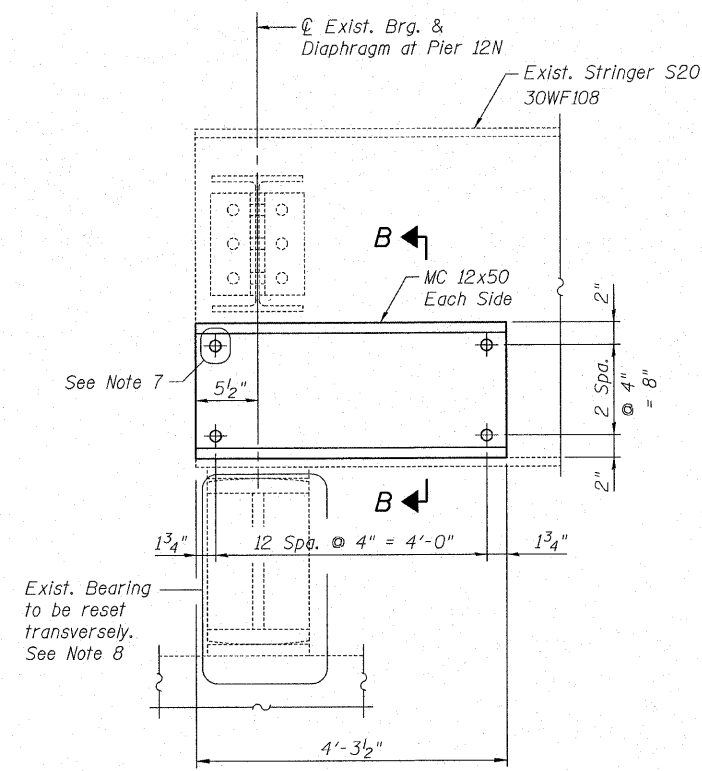


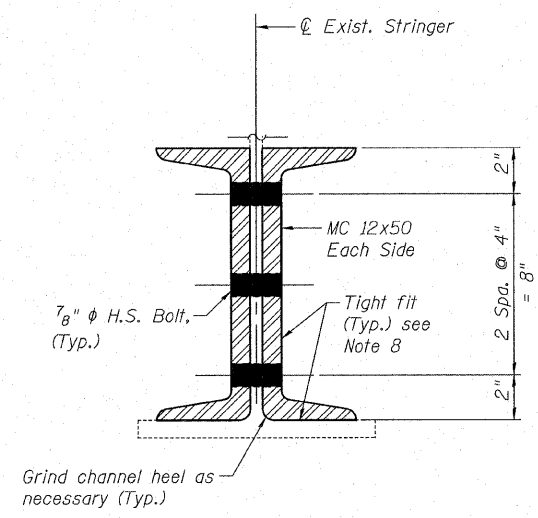
ELEVATION
Adjacent diaphragms connections,
bearings not shown for clarity



SECTION A-A



ELEVATION



SECTION B-B
Adjacent diaphragms connections,
bearings not shown for clarity

DETAIL 10
STRINGER WEB AND FLANGE REPAIR 3

DETAIL 11
STRINGER WEB AND FLANGE REPAIR 2

NOTES:

1. See Sheets S-8 to S-12 of 35 for locations of proposed repair details and notes.
2. All structural steel plates and shapes used in proposed repair details shall be AASHTO M270 Gr 36 (ASTM A36).
3. All fasteners shall be 7/8" dia. AASHTO M164 (ASTM A325) high strength bolts in 1 5/16" dia. standard size holes.
4. Contact surfaces at bolted parts shall have Class B coating as specified in AASHTO Standard Specifications for Highway Bridges.
5. Field drilling of existing members is required. The drilling cost shall be included with "Structural Steel Repair".
6. The repair plate and shape length shown are anticipated based on the latest field notes. Longer repair plates, shapes may be required based upon field conditions.
7. 1 5/16" ϕ standard size holes in the stringer web are to be field drilled using the repair shapes as template except as noted.
8. Suggested repair procedure for Detail 11:
 - A. Jack Stringer off the Bearing, maximum lift limited to 1/8".
 - B. Reset the Bearing transversely.
 - C. Straighten the buckled portions of stringer web and twisted portions of stringer flanges as much as possible without damaging the existing structural steel for a tight fit between the channels and the existing stringer.
 - D. Release the jack and have the Stringer fully supported by the Bearing.
 - E. Install repair channels.
9. Cost for repair procedures for Detail 11 included with "Structural Steel Repair".

DESIGNED - MEA	REVISED -
DRAWN - LK	REVISED -
CHECKED - MRI	REVISED -
DATE - 2/8/2011	REVISED -



STATE OF ILLINOIS
DEPARTMENT OF TRANSPORTATION

STEEL REPAIR DETAILS 2
WESTBOUND I-80 OVER DES PLAINES RIVER
STRUCTURE NO. 099-0057

F.A.I. RTE. 80	SECTION 99 (4&4-1) RS-3	COUNTY WILL	TOTAL SHEETS 203	SHEET NO. 123
FED. ROAD DIST. NO. 1 [ILLINOIS] FED. AID PROJECT			CONTRACT NO. 60M66	