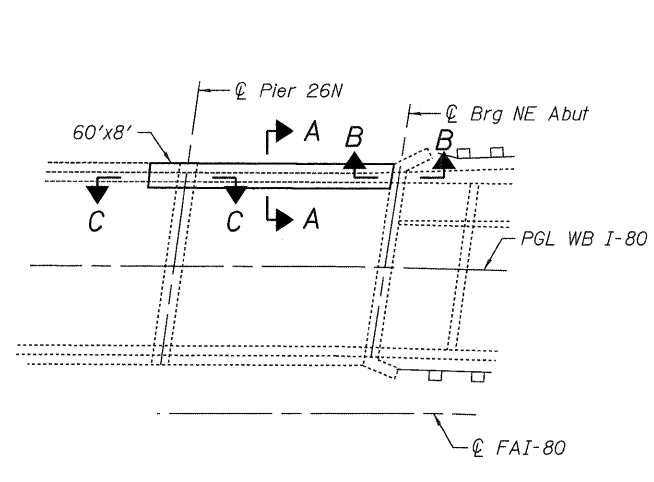
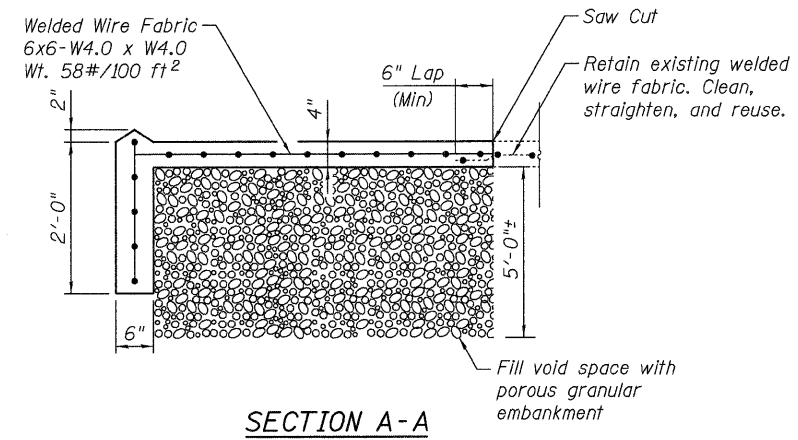


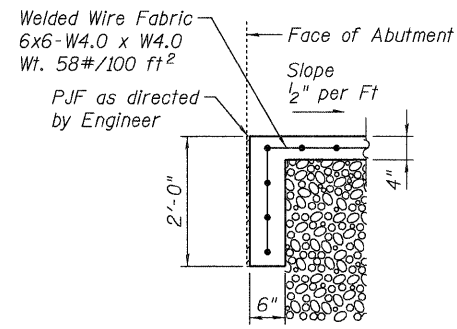
PLAN - WEST SLOPEWALL



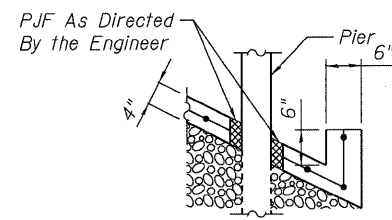
PLAN - EAST SLOPEWALL



SECTION A-A



SECTION B-B



SECTION C-C

BILL OF MATERIAL

ITEM	UNIT	TOTAL
Porous Granular Embankment	Cu.Yd.	533
Slope Wall Removal	Sq.Yd.	320
Slope Wall 4 Inch	Sq.Yd.	320

LEGEND:

Remove and Replace

NOTES:

1. Areas of proposed slope wall removal and replacement are estimated. Actual location and dimensions are to be determined by the Engineer during construction.
2. Cost of saw cuts and P.J.F. included in the cost of Slope Wall 4 Inch.
3. Contractor to verify 4" slope wall thickness and make necessary approved changes if slope wall is 6".

DESIGNED - PCA	REVISED -
USER NAME = lsupencheck	DRAWN - MN
PLOT SCALE = 1:1	CHECKED - MEA
PLOT DATE = 19-JAN-2011	DATE = 1/21/2011
FILE NAME = IP_PWP\dms34565\0998057-60M66-021-SLOPEW.DGN	REVISED -



STATE OF ILLINOIS
DEPARTMENT OF TRANSPORTATION

SLOPEWALL REPAIRS
WESTBOUND FAI-80 OVER DES PLAINES RIVER
STRUCTURE NO. 099-0057

SHEET NO. 5-21 OF 35 SHEETS

F.A.I. RTE.	SECTION	COUNTY	TOTAL SHEETS	SHEET NO.
80	99 (4&4-1) RS-3	WILL	203	130
CONTRACT NO. 60M66			FED. ROAD DIST. NO. 1 ILLINOIS FED. AID PROJECT	