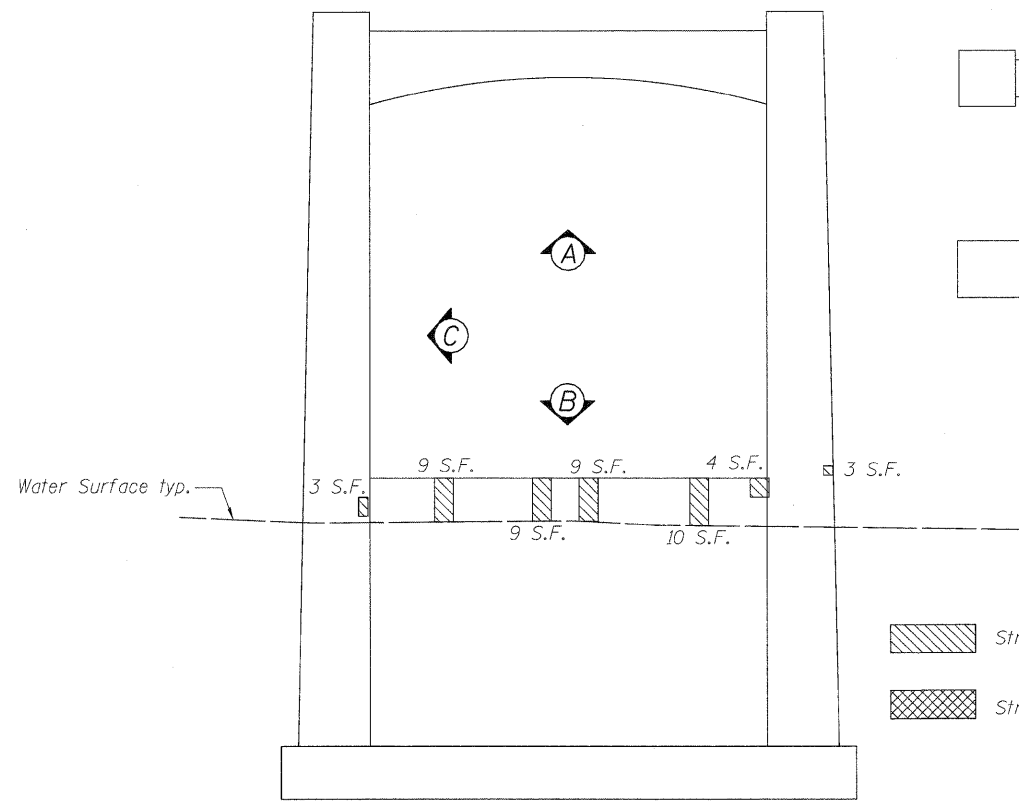
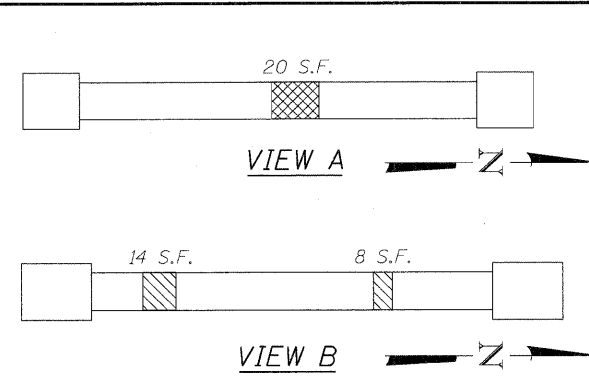


**WEST ELEVATION**  
(Looking East)

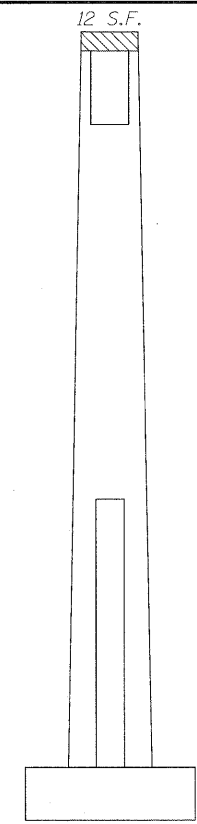


**EAST ELEVATION**  
(Looking West)

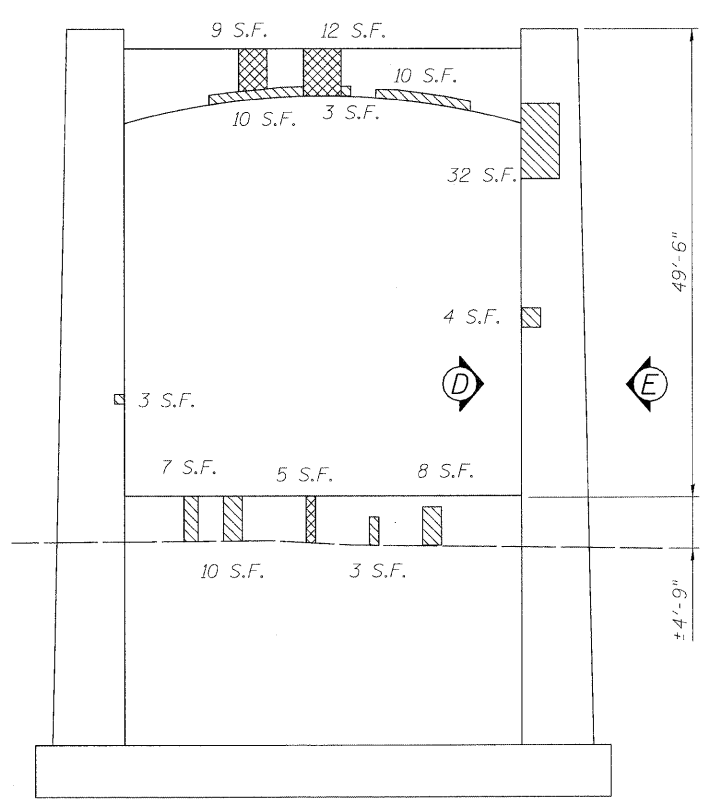


**PIER 7**

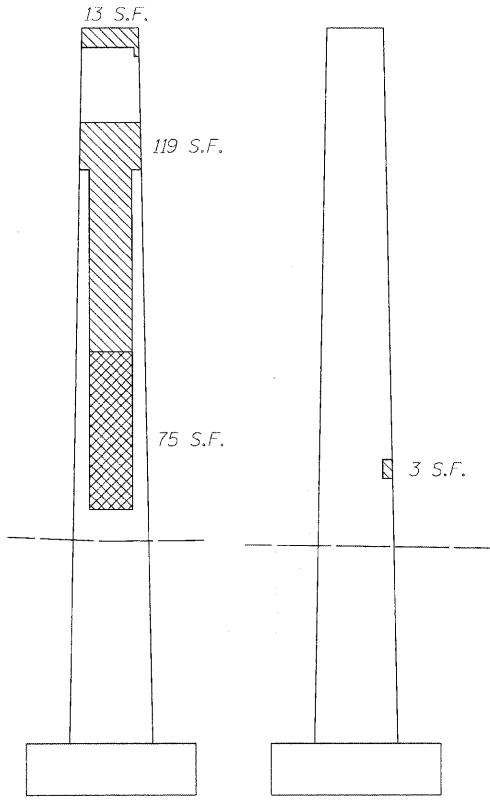
Structural Repair of Concrete (Depth ≤ 5") = 81 Sq. Ft.  
 Structural Repair of Concrete (Depth > 5") = 20 Sq. Ft.



**VIEW C**

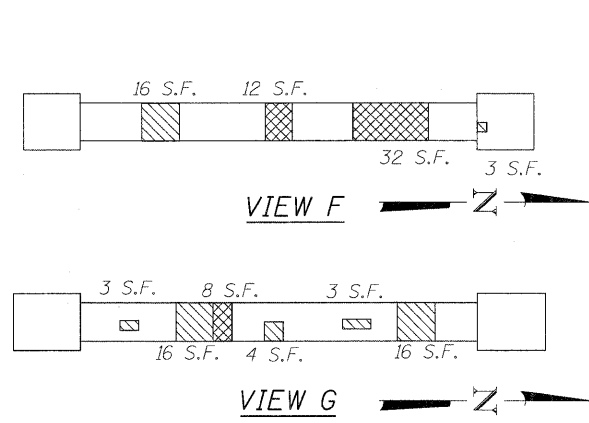


**WEST ELEVATION**  
(Looking East)



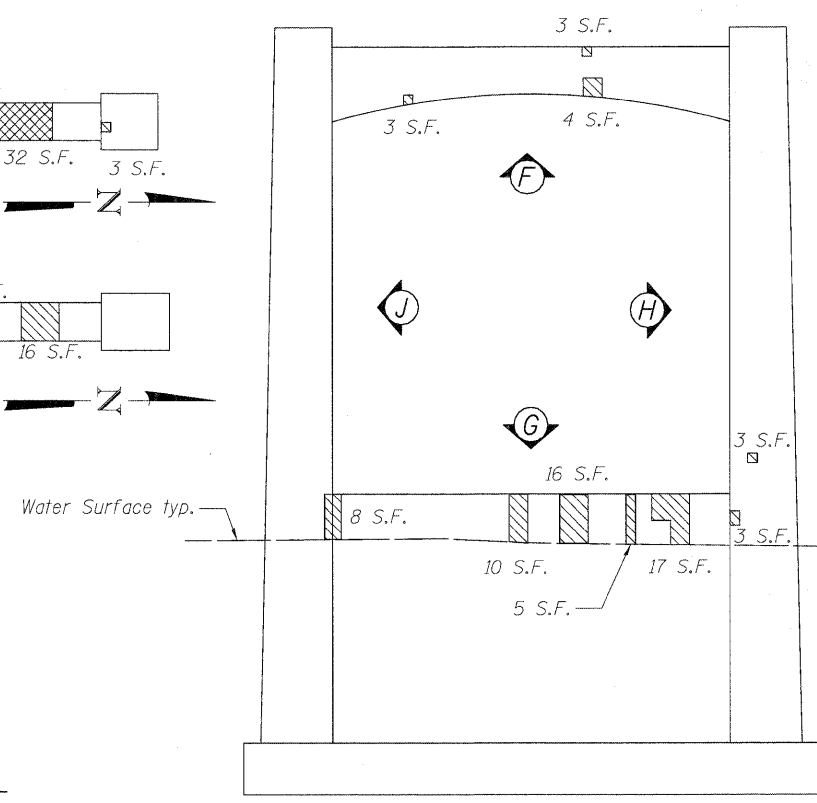
**VIEW D**

**VIEW E**



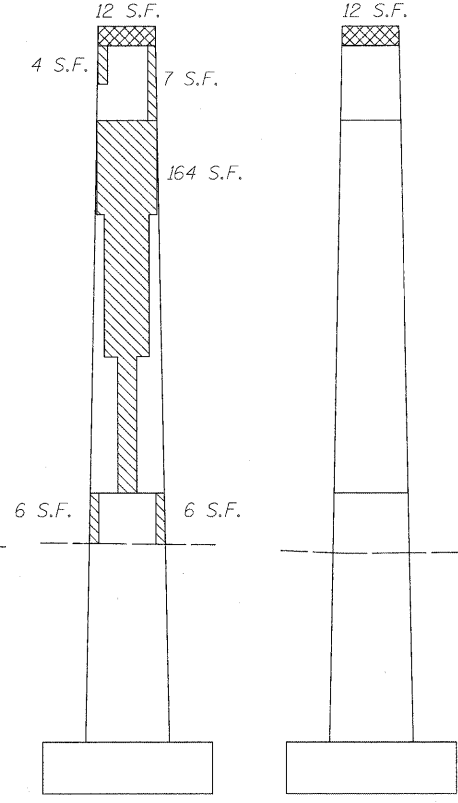
**VIEW F**

**VIEW G**



**EAST ELEVATION**  
(Looking West)

Structural Repair of Concrete (Depth ≤ 5") = 545 Sq. Ft.  
 Structural Repair of Concrete (Depth > 5") = 177 Sq. Ft.



**VIEW H**

**VIEW J**

DESIGNED - DF	REVISED -
DRAWN - LAM	REVISED -
CHECKED - BLU	REVISED -
DATE - 1/20/2011	REVISED -



**STATE OF ILLINOIS**  
**DEPARTMENT OF TRANSPORTATION**

**PIER REPAIR DETAILS**  
**WESTBOUND FAI-80 OVER DES PLAINES RIVER**  
**STRUCTURE NO. 099-0057**

F.A.I. RTE. 80	SECTION 99(4&4-1)RS-3	COUNTY WILL	TOTAL SHEETS 203	SHEET NO. 135
FED. ROAD DIST. NO. [ILLINOIS] FED. AID PROJECT			CONTRACT NO. 60M66	

SN056N05.CADD\CADD Sheets\0990057-60M66-026-PR7-8.dgn