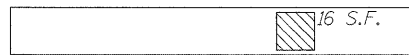


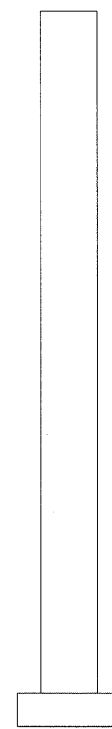
WEST ELEVATION
(Looking East)



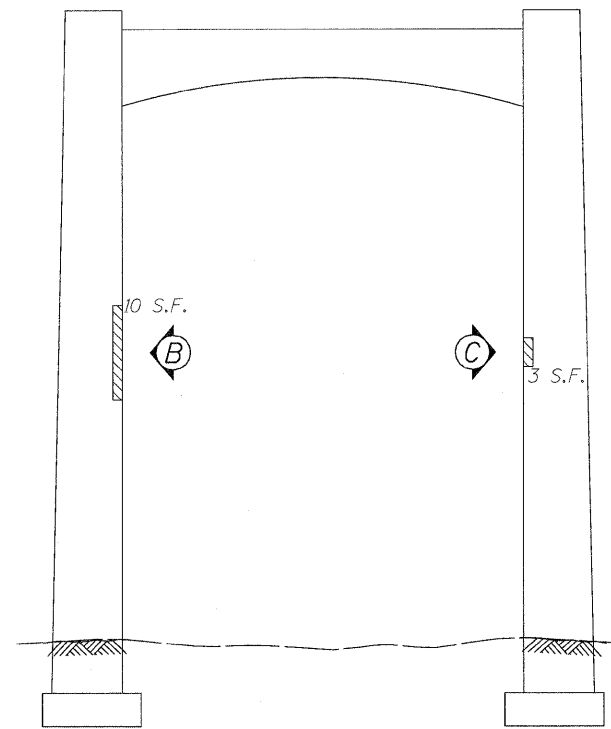
VIEW A

PIER 9

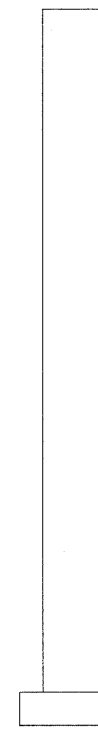
- Structural Repair of Concrete (Depth \leq 5") = 29 Sq. Ft.
- Structural Repair of Concrete (Depth $>$ 5") = 0 Sq. Ft.



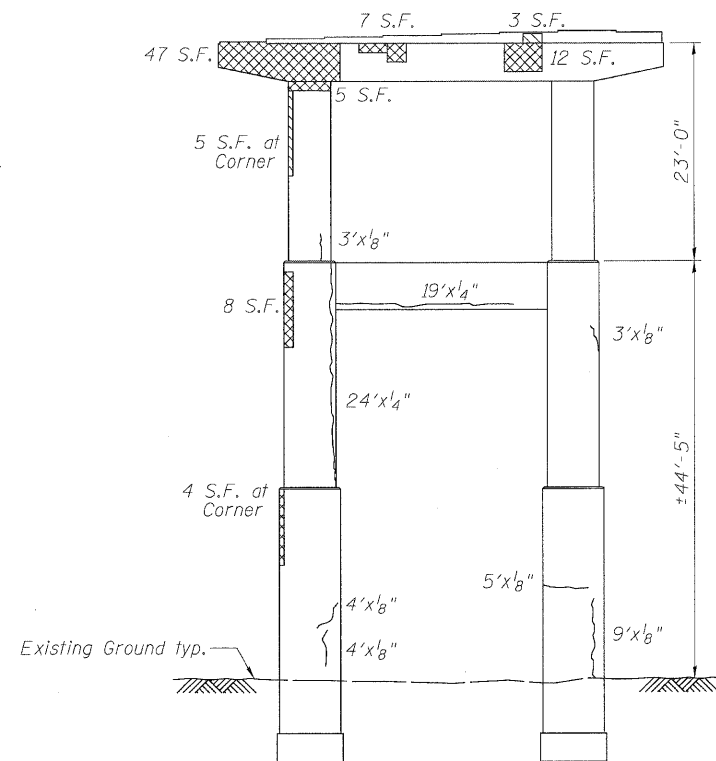
VIEW B



EAST ELEVATION
(Looking West)



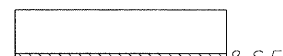
VIEW C



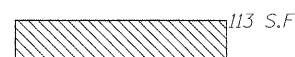
WEST ELEVATION
(Looking East)



VIEW D



VIEW E



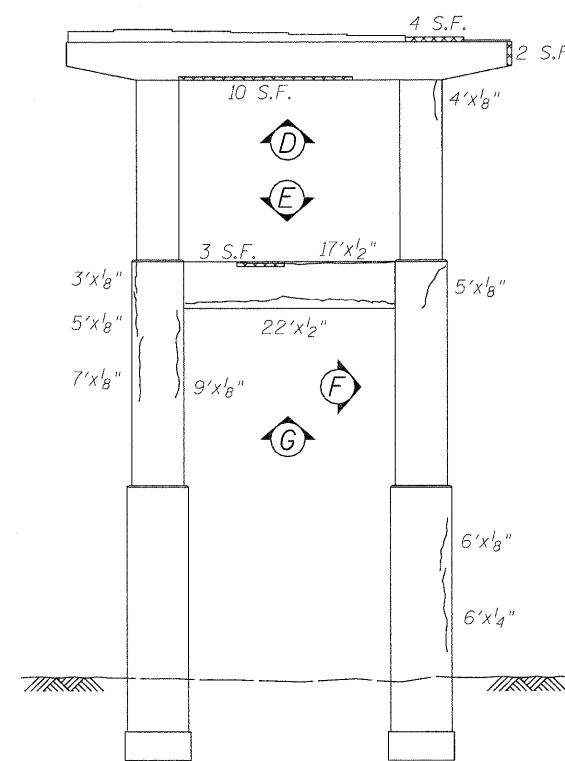
VIEW G

PIER 10

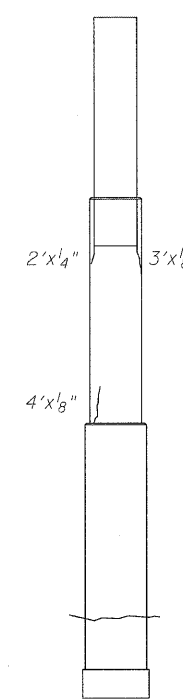
- Structural Repair of Concrete (Depth \leq 5") = 129 Sq. Ft.
- Structural Repair of Concrete (Depth $>$ 5") = 111 Sq. Ft.

Epoxy Crack Injection

NOTES: See Sheet S-20 for Temporary Shoring and Cribbing, Special locations.



EAST ELEVATION
(Looking West)



VIEW F

USER NAME = lrueler	DESIGNED - DF	REVISED -
PLOT SCALE = NTS	DRAWN - LAM	REVISED -
PLOT DATE = 1/19/2011 2:15:5 PM	CHECKED - BLU	REVISED -
	DATE - 1/20/2011	REVISED -



STATE OF ILLINOIS
DEPARTMENT OF TRANSPORTATION

PIER REPAIR DETAILS
WESTBOUND I-80 OVER DES PLAINES RIVER
STRUCTURE NO. 099-0057

F.A.I. RTE. 80	SECTION 99(4&4-1)RS-3	COUNTY WILL	TOTAL SHEETS 203	SHEET NO. 136
FED. ROAD DIST. NO.		ILLINOIS FED. AID PROJECT		
CONTRACT NO. 60M66				