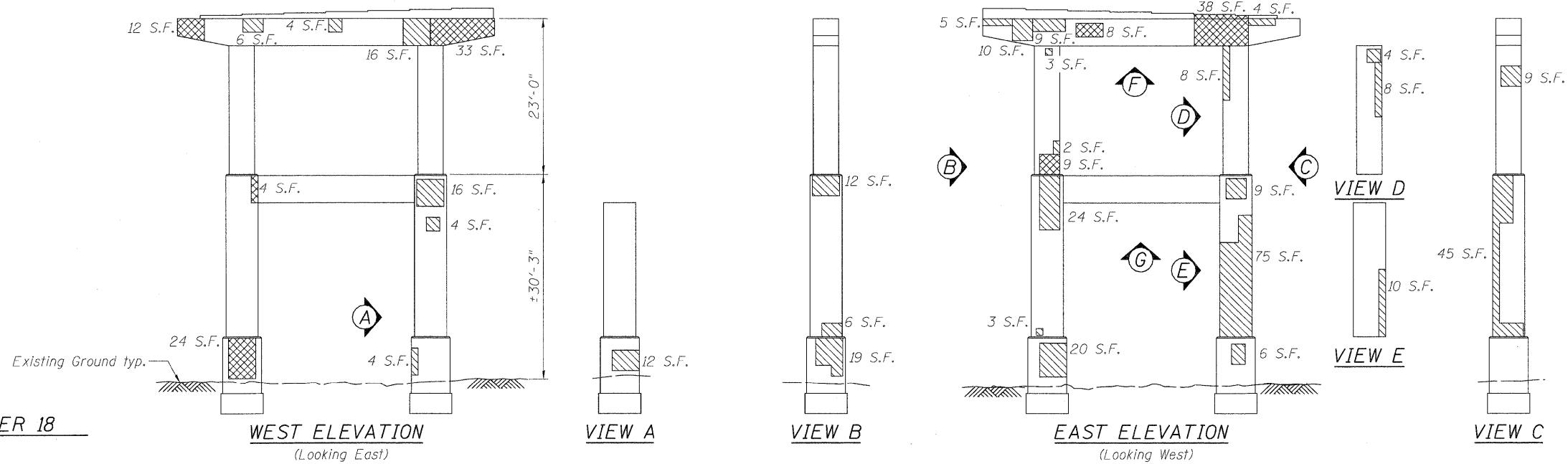


- Structural Repair of Concrete (Depth < 5") = 385 Sq. Ft.
- Structural Repair of Concrete (Depth > 5") = 90 Sq. Ft.
- Epoxy Crack Injection

NOTES: See Sheet S-20 for Temporary Shoring and Cribbing, Special locations.



- Structural Repair of Concrete (Depth < 5") = 426 Sq. Ft.
- Structural Repair of Concrete (Depth > 5") = 128 Sq. Ft.

NOTES: See Sheet S-20 for Temporary Shoring and Cribbing, Special locations.

DESIGNED - DF	REVISED -
USER NAME = Imulier	REVISED -
DRAWN - LAM	REVISED -
PLOT SCALE = NTS	REVISED -
CHECKED - BLU	REVISED -
PLOT DATE = 1/19/2011 2:48:22 PM	REVISED -
DATE = 1/20/2011	



**STATE OF ILLINOIS**  
**DEPARTMENT OF TRANSPORTATION**

**PIER REPAIR DETAILS**  
**WESTBOUND I-80 OVER DES PLAINES RIVER**  
**STRUCTURE NO. 099-0057**

SHEET NO. S-31 OF S-35 SHEETS

F.A.I. RTE.	SECTION	COUNTY	TOTAL SHEETS	SHEET NO.
80	99(4&4-1)RS-3	WILL	203	140
FED. ROAD DIST. NO.			ILLINOIS FED. AID PROJECT	
			CONTRACT NO. 60M66	