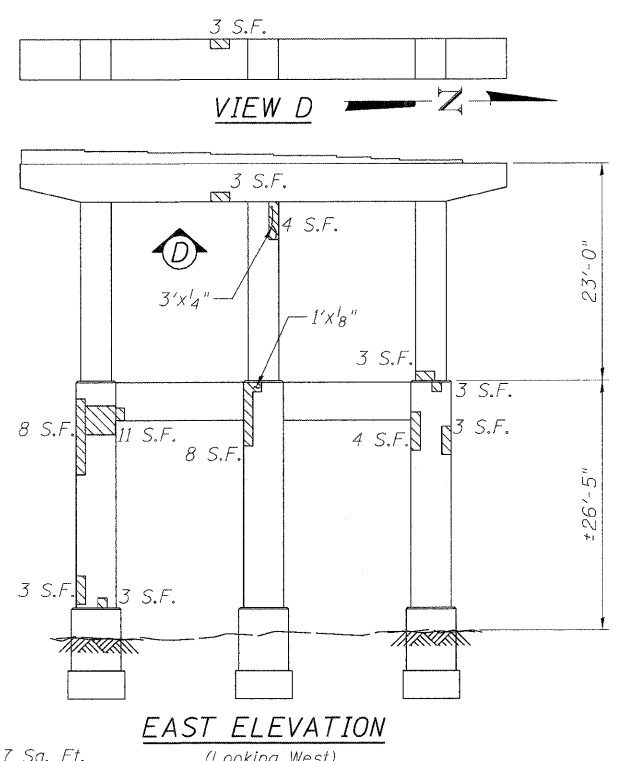
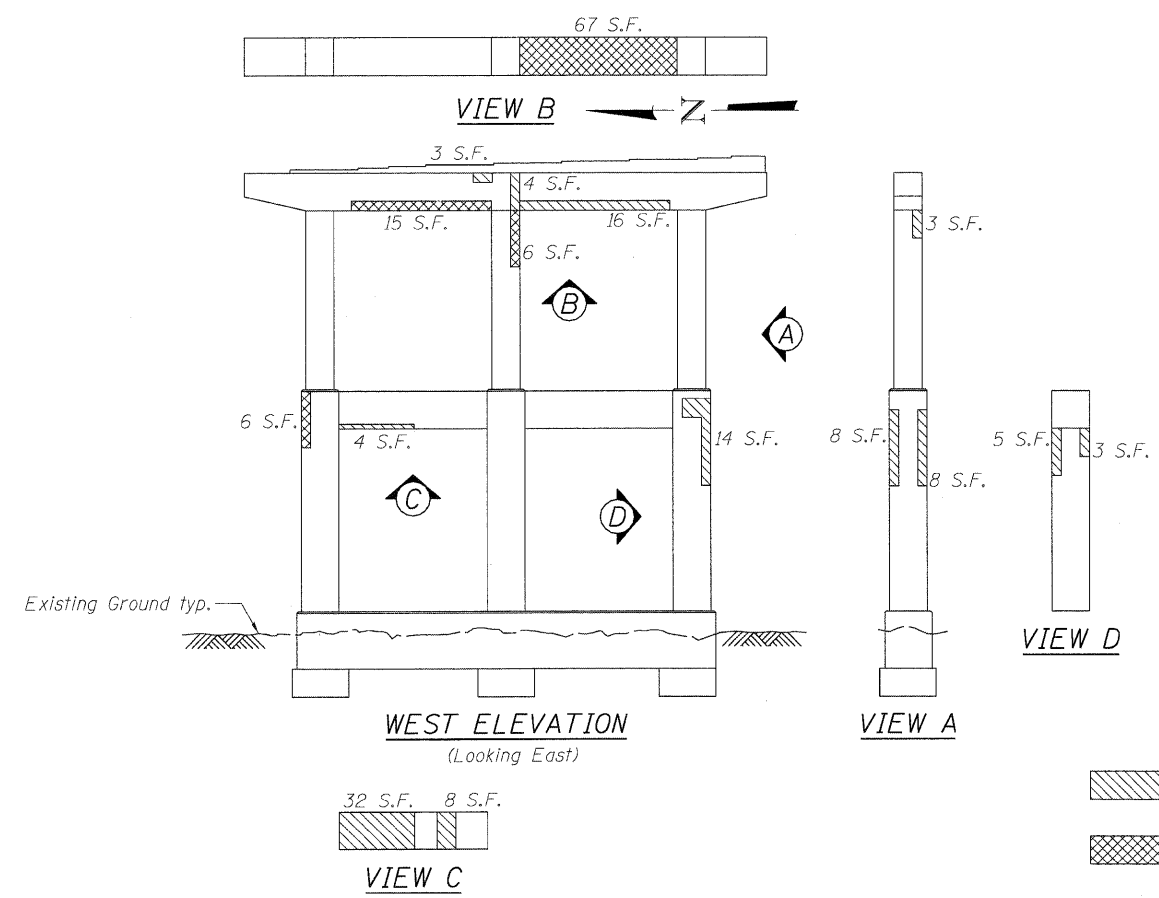


PIER 19

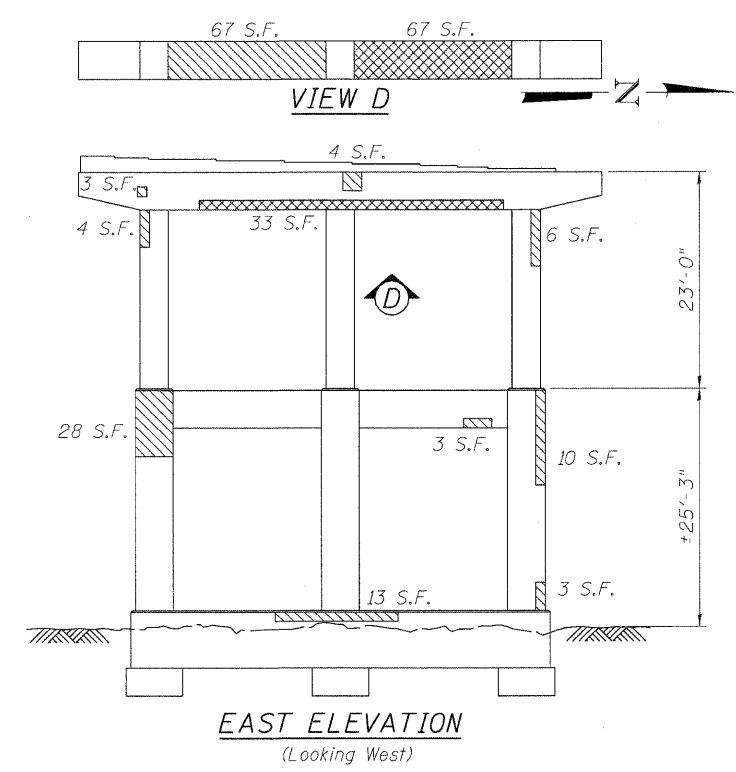


Structural Repair of Concrete (Depth < 5") = 157 Sq. Ft.
 Structural Repair of Concrete (Depth > 5") = 0 Sq. Ft.

NOTES: See Sheet S-20 for Temporary Shoring and Cribbing, Special locations.



PIER 20



Structural Repair of Concrete (Depth < 5") = 249 Sq. Ft.
 Structural Repair of Concrete (Depth > 5") = 194 Sq. Ft.

NOTES: See Sheet S-20 for Temporary Shoring and Cribbing, Special locations.

DESIGNED - DF	REVISED -		STATE OF ILLINOIS DEPARTMENT OF TRANSPORTATION		PIER REPAIR DETAILS WESTBOUND FAI-80 OVER DES PLAINES RIVER STRUCTURE NO. 099-0057 SHEET NO. S-32 OF S-35 SHEETS		F.A.J. RTE.	SECTION	COUNTY	TOTAL SHEETS	SHEET NO.
USER NAME = lrueller	DRAWN - LAM						80	99(4&4-1)RS-3	WILL	203	141
PLOT SCALE = NTS	CHECKED - BLU						CONTRACT NO. 60M66				
PLOT DATE = 1/19/2011 2:02:24 PM	DATE - 1/20/2011						FED. ROAD DIST. NO. [ILLINOIS] FED. AID PROJECT				