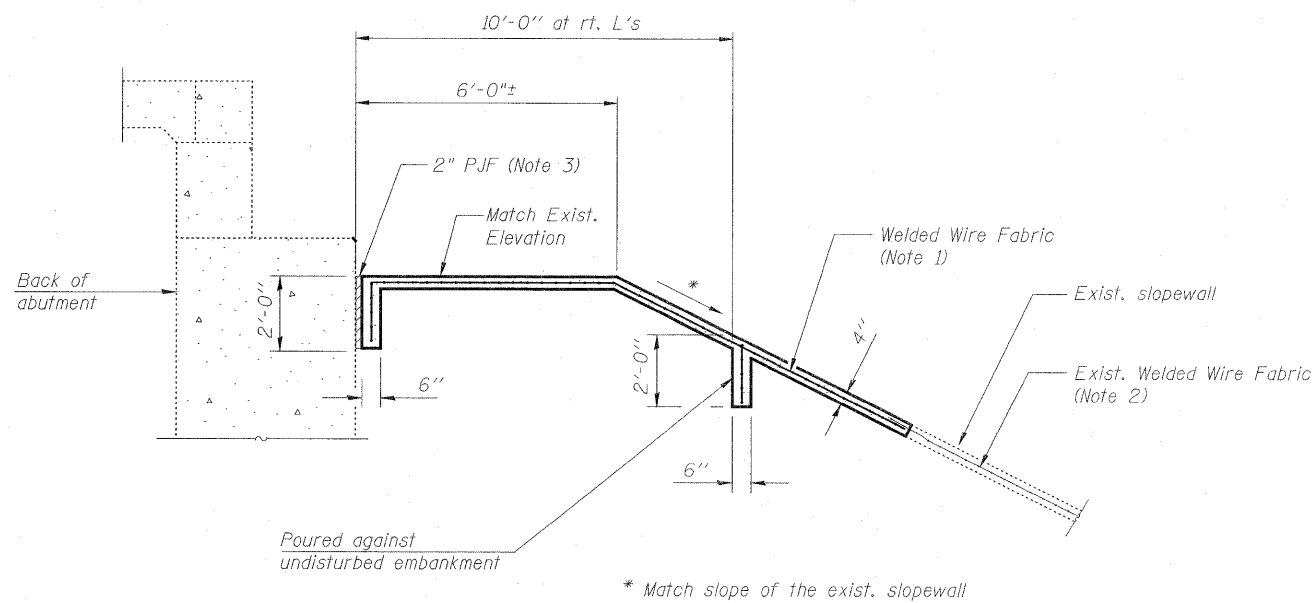


**BILL OF MATERIAL**

ITEM	UNIT	TOTAL
Slopedwall Removal	Sq. Yd.	85
Slopedwall, 4"	Sq. Yd.	85
Structural Repair of Concrete (Depth > 5")	Sq. Ft.	16

**LEGEND:**

- Structural Repair of Concrete (Depth > 5")
- Slopedwall Repair



**SECTION THRU CONCRETE SLOPEWALL**

**NOTES:**

1. Slopedwall shall be reinforced with welded wire fabric 6" x 6" - W4.0 x W4.0, weighing 58 lbs. per 100 sq. ft.
2. Existing welded wire fabric to be cleaned by sandblasting to gray metal and incorporated into new construction. Lap existing and new welded wire fabric a minimum of 6".
3. Cost of Sawcuts and PJF included in the cost of Slope Wall, 4".
4. Removal limits and layout of the slopedwall may be varied to suit ground conditions in the field as directed by the Engineer.
5. When directed by the engineer, the voids under the slope wall areas shall be filled with porous granular embankment in accordance with Article 207 of the Standard Specifications. Cost of filling the voids included in the cost of Slope Wall, 4".

USER NAME = ayoorgooglu@rdwg.lta	DESIGNED - A.Y./L.C.	REVISED -	<b>HBP</b> Illinois Partners	<b>STATE OF ILLINOIS</b> <b>DEPARTMENT OF TRANSPORTATION</b>	<b>ABUTMENT AND SLOPEWALL REPAIRS</b>		F.A.I. RTE.	SECTION	COUNTY	TOTAL SHEETS	SHEET NO.
PLOT CONFIG = PDF(I-B0_TopoGray_Large).p	DRAWN - L.C./A.Y.	REVISED -			80	99 (4&4-1) RS-3	WILL	203	148		
PLOT SCALE = 1/4"	CHECKED - A.Y./R.L.D.	REVISED -			CONTRACT NO. 60M66						
PLOT DATE = 2/8/2011	DATE - 01/20/2011	REVISED -			SCALE:	SHEET S4 OF S7	STA.	TO STA.	FED. ROAD DIST. NO. 1	ILLINOIS FED. AID PROJECT	