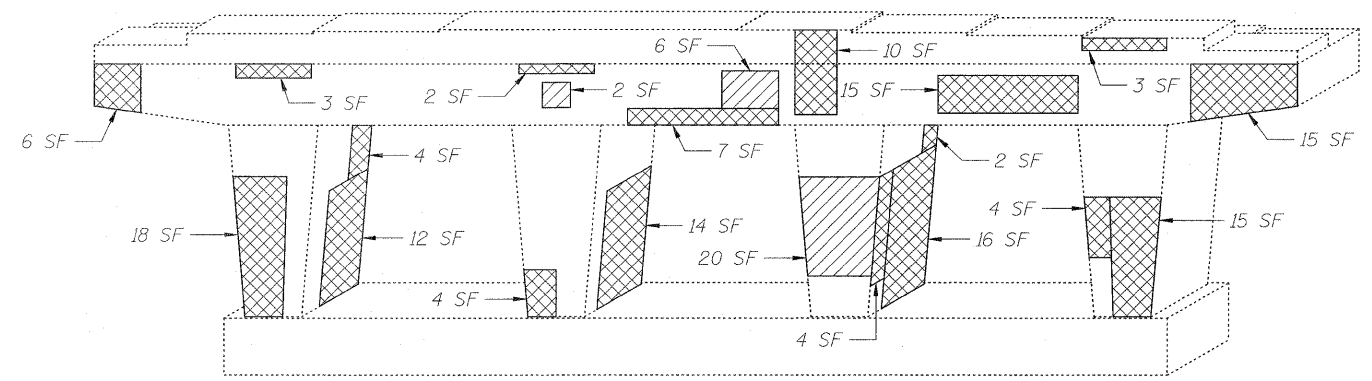
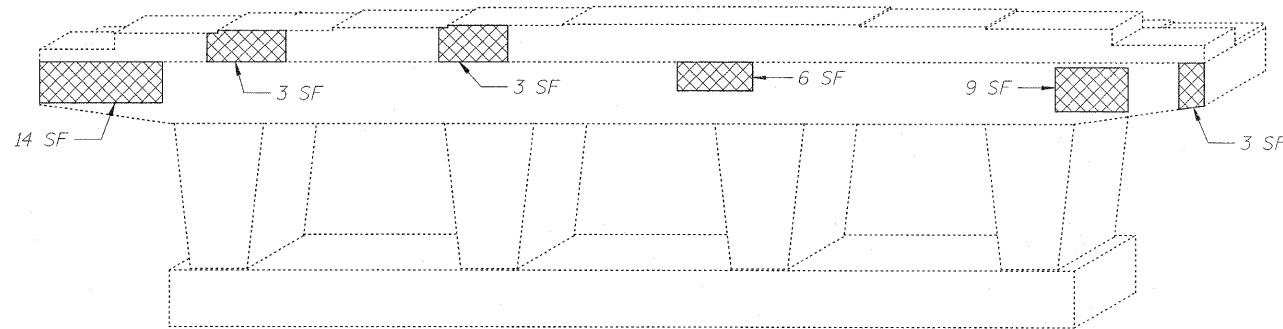


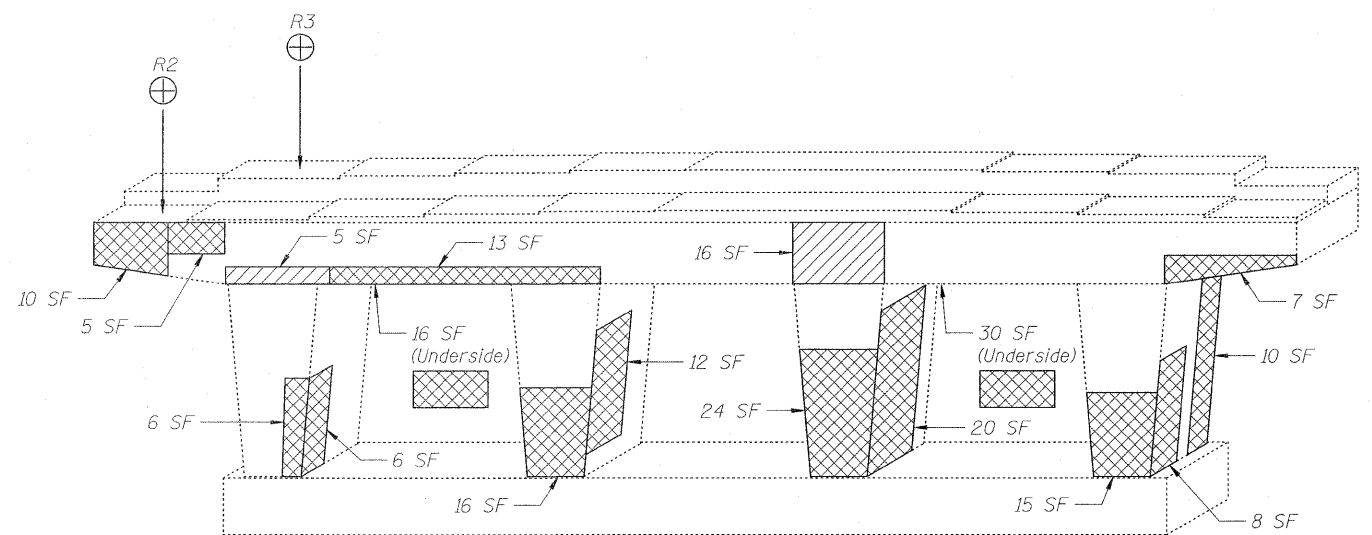
PIER 1
EAST FACE



PIER 2
EAST FACE



PIER 1
WEST FACE



PIER 2
WEST FACE

LEGEND:

Structural Repair of Concrete (Depth < 5")

Structural Repair of Concrete (Depth > 5")

Temporary Shoring and Cribbing

INTERIOR GIRDER REACTION TABLE				
		R1	R2	R3
R ₀	(k)	19.0	50.2	23.3
R ₄	(k)	30.2	39.5	34.7
Imp.	(k)	9.1	8.9	10.2
R _{Total}	(k)	58.2	98.6	68.1

BILL OF MATERIAL

ITEM	UNIT	TOTAL
Structural Repair of Concrete (Depth < 5")	Sq. Ft.	110
Structural Repair of Concrete (Depth > 5")	Sq. Ft.	430
Temporary Shoring and Cribbing	Each	5

Note:
See the Special Provision "Temporary Shoring and Cribbing" for design, installation, and removal of the temporary shoring and cribbing system. Approximate beam reactions are given in Interior Girder Reaction Table at the locations shown.

USER NAME = ajeorgcojlu(Rdwy.Lisle)	DESIGNED - A.Y./L.C.	REVISED -
PLOT CONFIG = PDF(I-80_TopoGrey_Large.plt)	DRAWN - L.C./A.Y.	REVISED -
PLOT SCALE = 1/4"	CHECKED - A.Y./R.L.D.	REVISED -
PLOT DATE = 2/8/2011	DATE - 01/20/2011	REVISED -



STATE OF ILLINOIS
DEPARTMENT OF TRANSPORTATION

PIER REPAIRS
WESTBOUND I-80 OVER IL ROUTE 53 (CHICAGO STREET)
SN 099-0058

SCALE: SHEET 55 OF 57 STA. TO STA.

F.A.I. RTE.	SECTION	COUNTY	TOTAL SHEETS	SHEET NO.
80	99 (4&4-1) RS-3	WILL	203	149
FED. ROAD DIST. NO. 1 ILLINOIS FED. AID PROJECT			CONTRACT NO. 60M66	