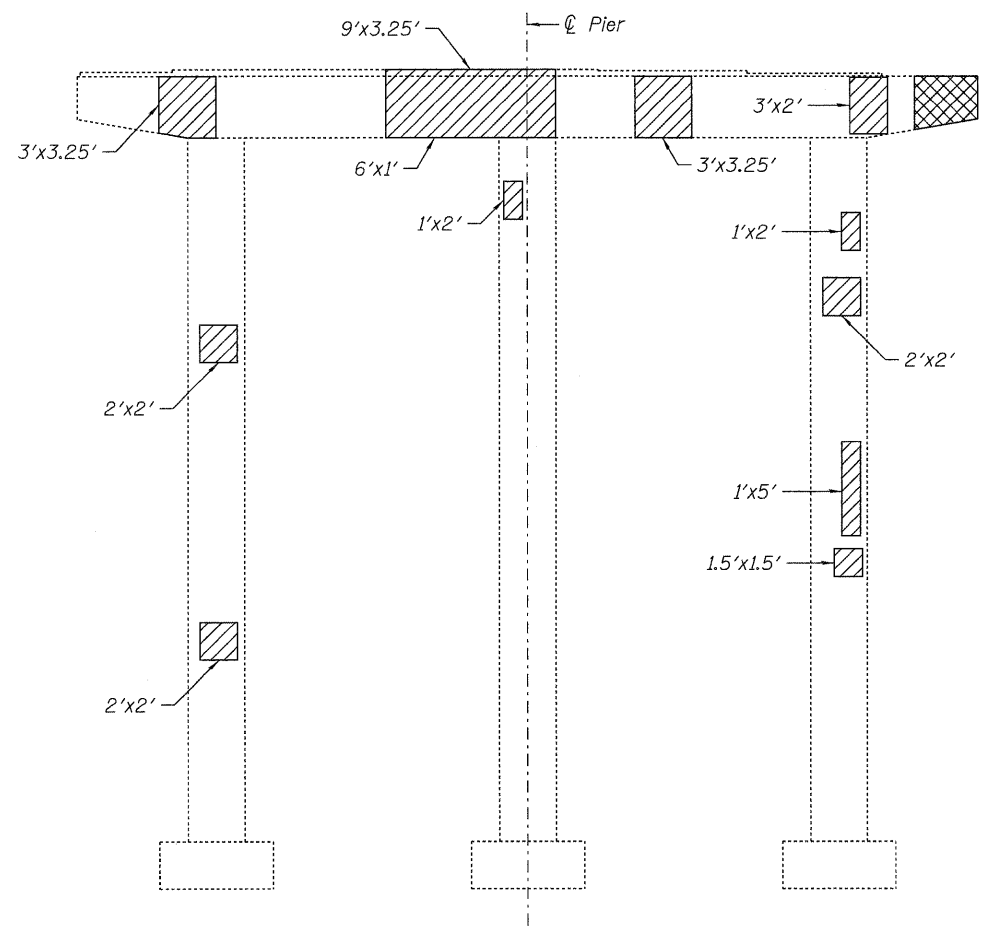


**TEMPORARY SHORING PLAN**  
**PIER 3**  
⊗ Temporary Support

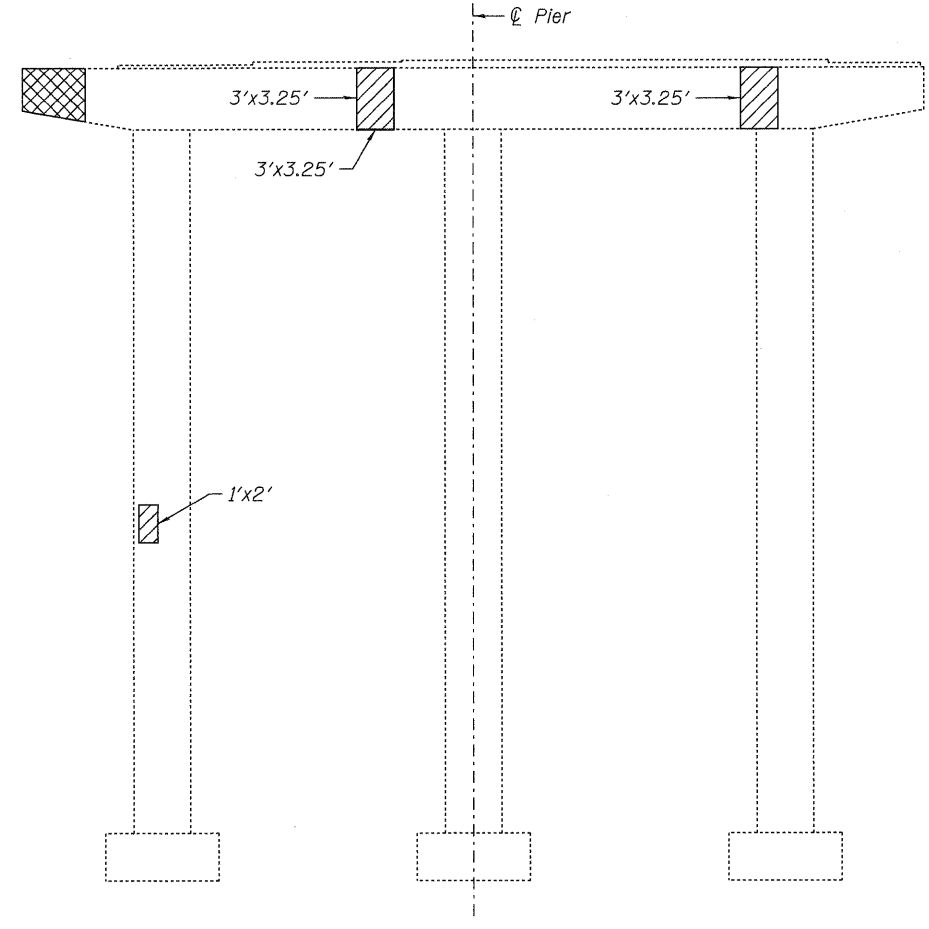
**TEMPORARY SUPPORT**  
**INTERIOR BEAM REACTIONS**

REACTION	SPAN 3	SPAN 4
Dead Load	26	48
Live Load + Impact	50	51
Total	76	100

Contractor to design shoring system for dead load plus live load plus impact. See Special Provision for Temporary Shoring and Cribbing.



**WEST ELEVATION**  
Looking East



**EAST ELEVATION**  
Looking West

**BILL OF MATERIAL**

ITEM	UNIT	TOTAL
Structural Repair Of Concrete (Depth Greater Than 5 Inches)	Sq.Ft.	64
Structural Repair Of Concrete (Depth Equal To Or Less Than 5 Inches)	Sq.Ft.	52
Temporary Shoring and Cribbing	Each	14

**LEGEND:**

- Spalled or unsound concrete
- Removal and replacement  
See Sheet S-11 of 14 for details.

**NOTES:**

1. Areas of proposed pier repairs are estimated. Actual type, location and dimensions of pier repairs are to be determined by the Engineer during construction.
2. Temporary Shoring and Cribbing is required for pier repairs.