

TEMPORARY SHORING PLAN

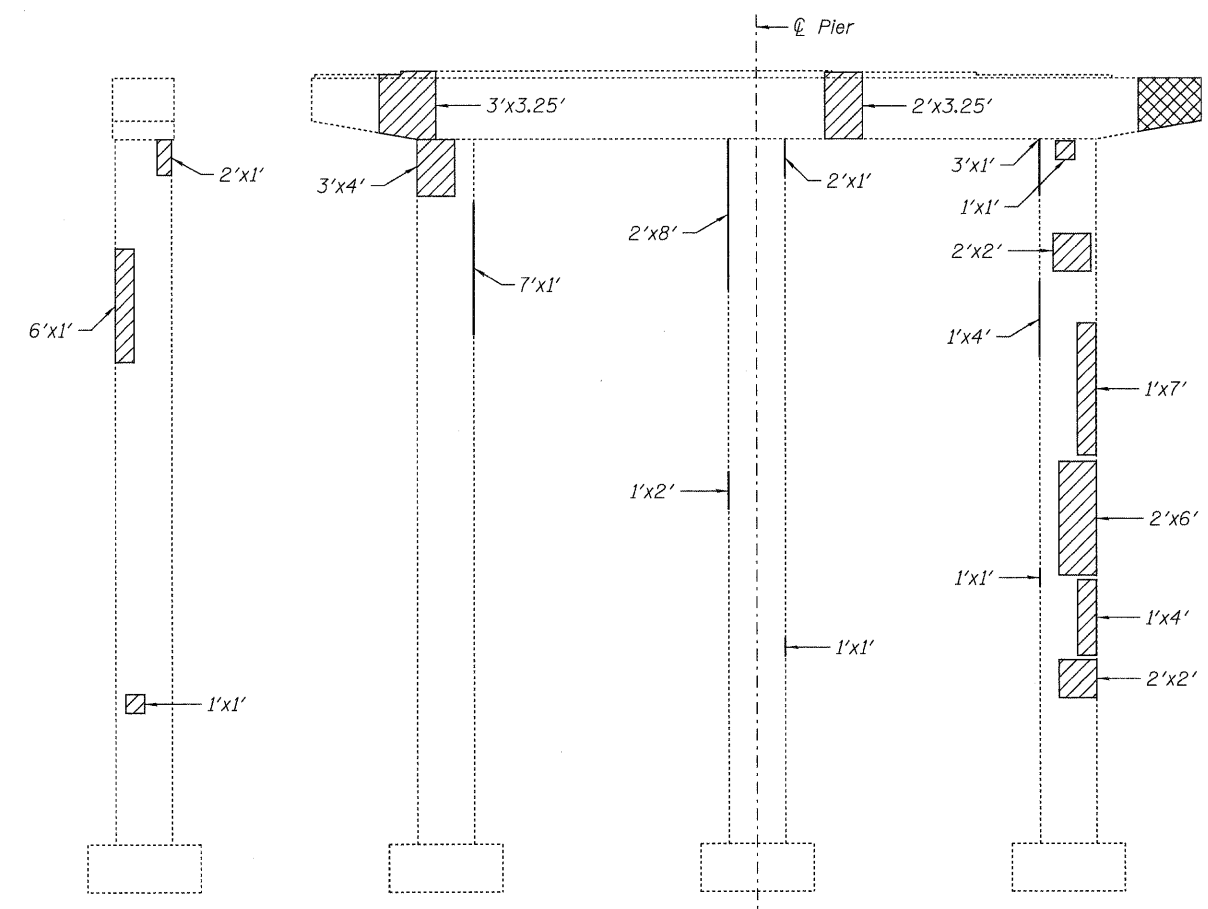
PIER 4

⊗ Temporary Support

**TEMPORARY SUPPORT
INTERIOR BEAM REACTIONS**

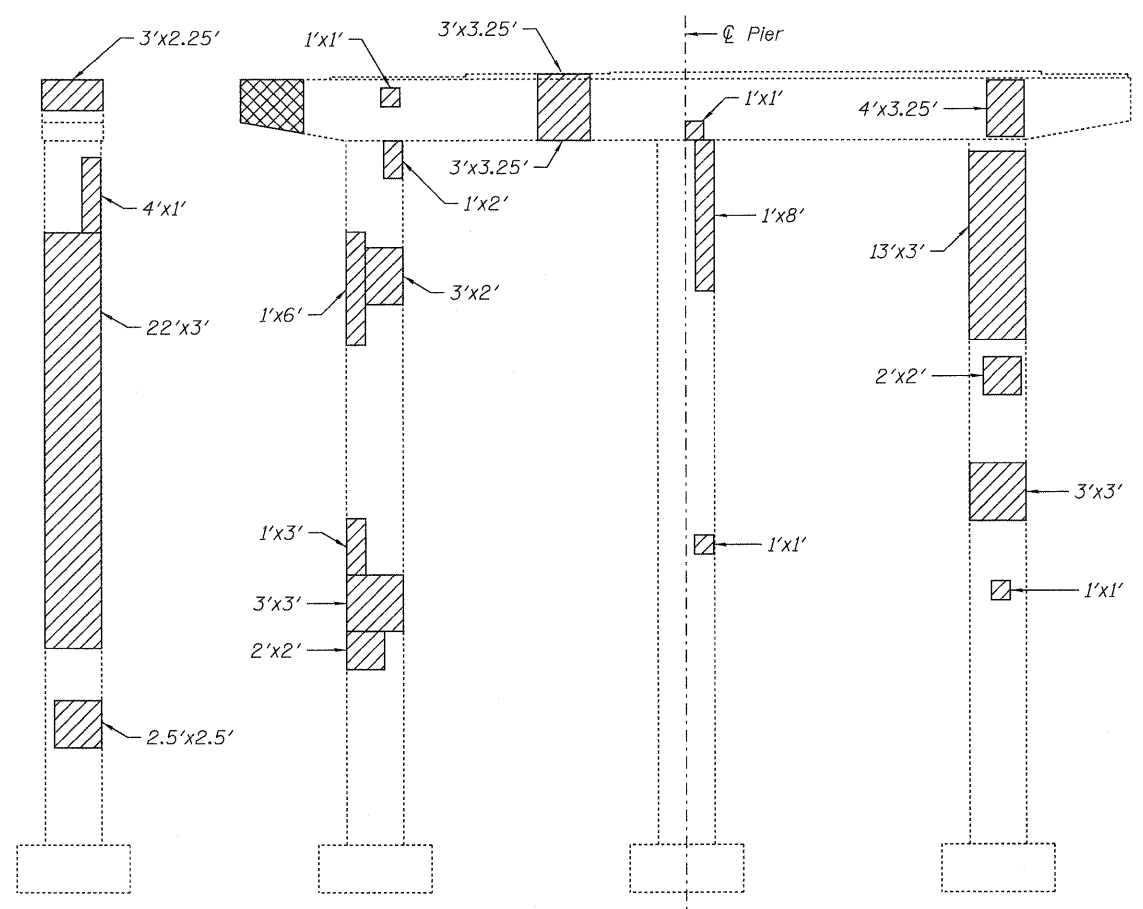
REACTION	SPAN 4	SPAN 5
Dead Load	48	41
Live Load + Impact	51	50
Total	100	91

Contractor to design shoring system for dead load plus live load plus impact.



NORTH ELEVATION
Looking South

WEST ELEVATION
Looking East



SOUTH ELEVATION
Looking North

EAST ELEVATION
Looking West

BILL OF MATERIAL

ITEM	UNIT	TOTAL
Structural Repair Of Concrete (Depth Greater Than 5 Inches)	Sq.Ft.	174
Structural Repair Of Concrete (Depth Equal To Or Less Than 5 Inches)	Sq.Ft.	140
Temporary Shoring and Cribbing	Each	14

LEGEND:

- Spalled or unsound concrete
- Removal and replacement
See Sheet S-11 of 14 for details.

NOTES:

1. Areas of proposed pier repairs are estimated. Actual type, location and dimensions of pier repairs are to be determined by the Engineer during construction.
2. Temporary Shoring and Cribbing is required for pier repairs.