

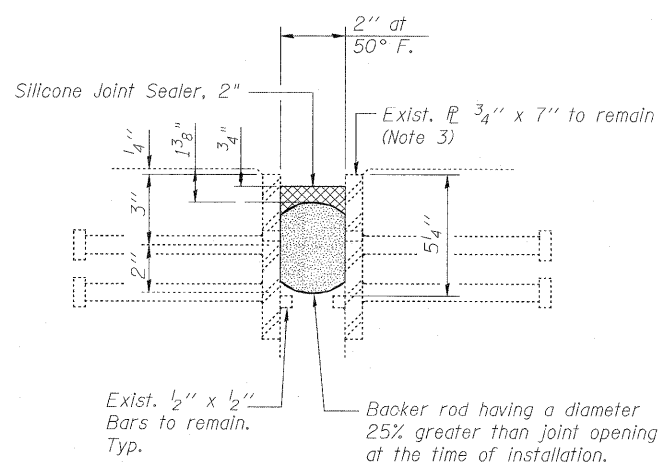
**DECK PLAN**

**BILL OF MATERIAL**

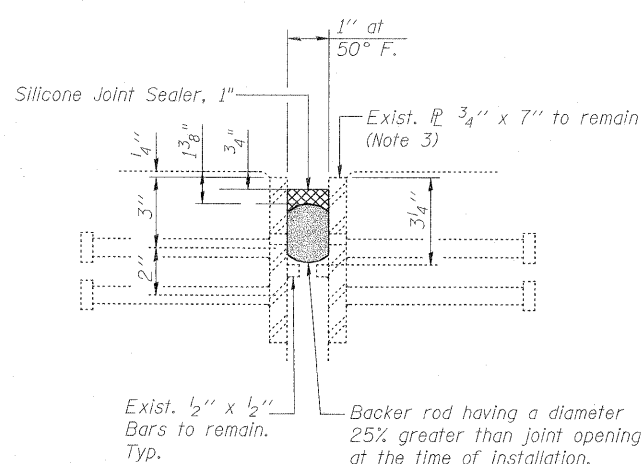
ITEM	UNIT	TOTAL
Approach Slab Repair (Partial Depth)	Sq. Yd.	16
Deck Slab Repair (Full Depth, Type II)	Sq. Yd.	45
Deck Slab Repair (Partial)	Sq. Yd.	118
Silicone Joint Sealer, 1"	Foot	75
Silicone Joint Sealer, 2"	Foot	38
Silicone Joint Sealer, 2 3/4"	Foot	38

**LEGEND:**

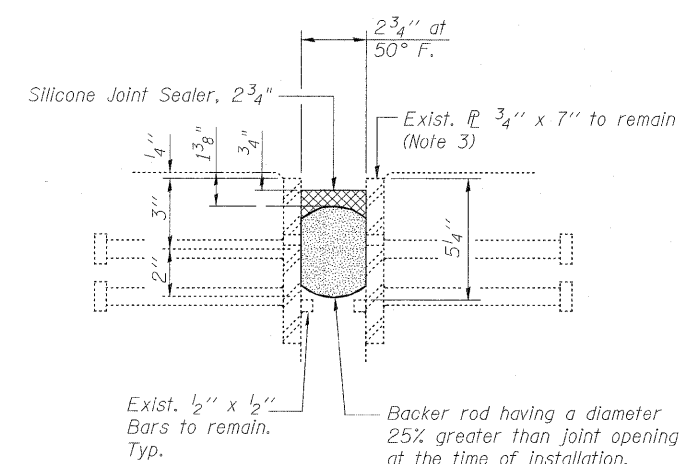
- Deck Slab Repair (Partial)
- Deck Slab Repair (Full Depth, Type II)
- Approach Slab Repair (Partial Depth)



**SECTION A-A**  
(At NW Abutment)

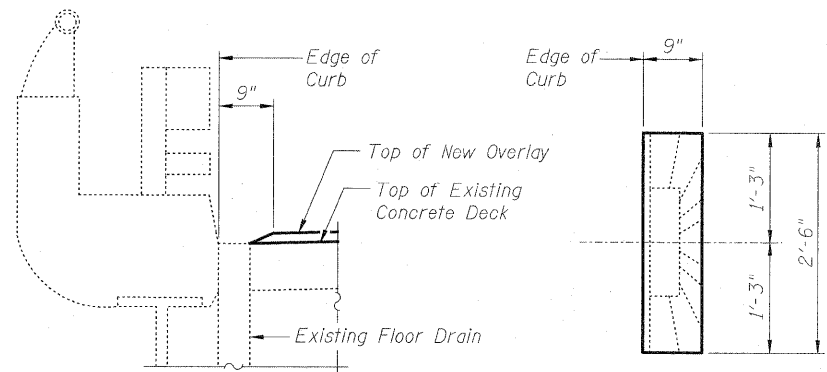


**SECTION B-B**  
(At Pier 1, and NE Abutment)

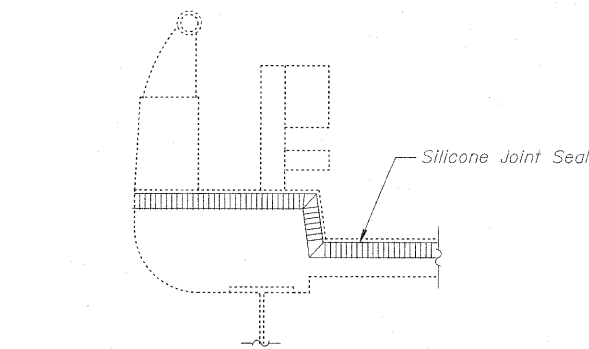


**SECTION C-C**  
(At Pier 2)

**DECK EXPANSION JOINT DETAILS**



**SECTION AT FLOOR DRAIN**  
**OVERLAY TREATMENT AT FLOOR DRAIN**



**TYPICAL END OF SEAL TREATMENT**

**Notes:**

- See General Note 3 on Sheet S1 of S6.
- Removal and disposal of the existing joint fillers and neoprene seals will be included with the cost of Silicone Joint Sealer, of the size specified.
- Existing plates to be cleaned prior to installation of backer rod. Cost included with Silicone Joint Sealer, of the size specified.
- Deck Slab Repair concrete shall be placed up to top of existing waterproofing membrane system. Cost included with Deck Slab Repair, of the type specified.
- The Contractor shall grind off any existing concrete patches flush with the existing waterproofing membrane system. Cost included with Hot-Mix Asphalt Surface Removal (Deck).

USER NAME = ajiangco@rdwy.lisle	DESIGNED - A.Y./L.C.	REVISED -	<b>HBP</b> Illinois Partners	<b>STATE OF ILLINOIS</b> <b>DEPARTMENT OF TRANSPORTATION</b>	<b>DECK, APPROACH SLAB, AND EXPANSION JOINT REPAIRS</b> <b>WESTBOUND I-80 OVER RICHARDS STREET</b> <b>SN 099-0065</b>			F.A.I. RTE.	SECTION	COUNTY	TOTAL SHEETS	SHEET NO.
PLOT CONFIG = PDF11-00_TopoGrey_Large.plt	DRAWN - L.C./A.Y.	REVISED -			80	99 (4&4-1) RS-3	WILL	203	176			
PLOT SCALE = 1:10	CHECKED - A.Y./R.L.D.	REVISED -			CONTRACT NO. 60M66							
PLOT DATE = 2/8/2011	DATE - 01/20/2011	REVISED -			SCALE:	SHEET	S3 OF S6	STA.	TO STA.	FED. ROAD DIST. NO. 1	ILLINOIS	FED. AID PROJECT