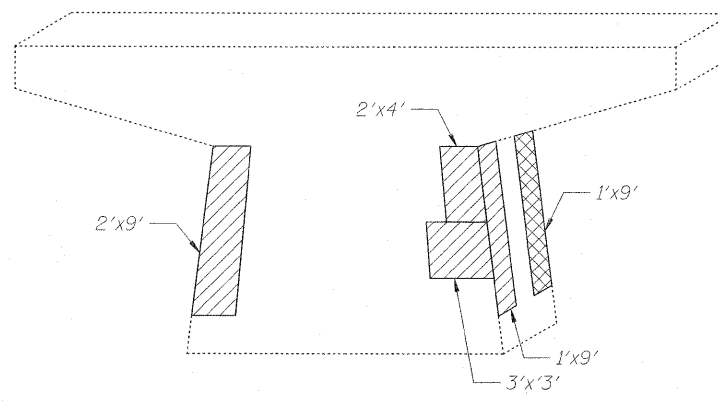
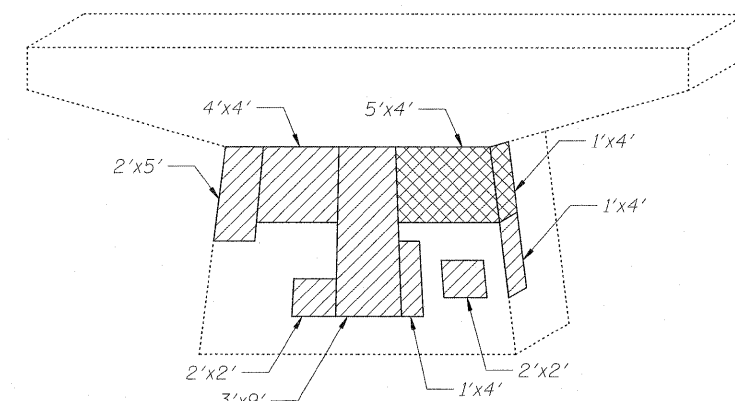


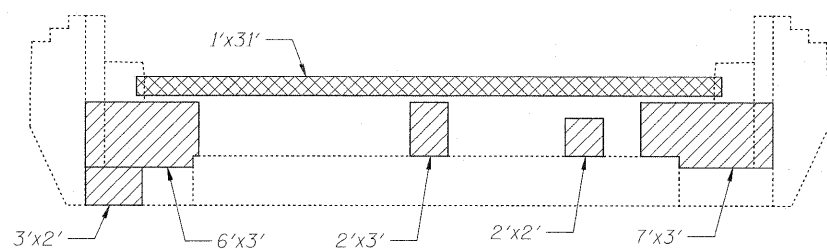
**NORTHEAST ABUTMENT**  
Looking East



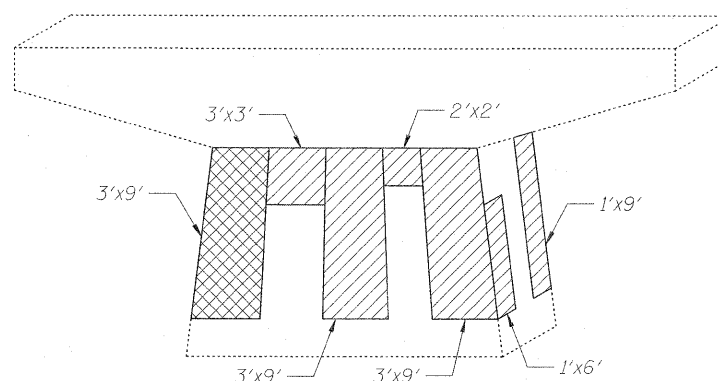
**PIER 1**  
West Face



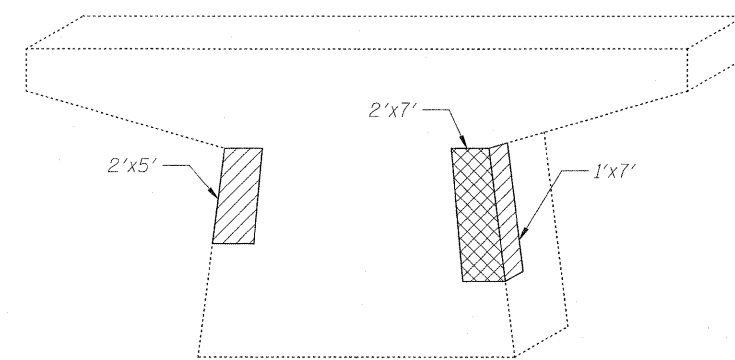
**PIER 2**  
West Face



**NORTHWEST ABUTMENT**  
Looking West



**PIER 1**  
East Face



**PIER 2**  
East Face

**LEGEND:**

- Structural Repair of Concrete (Depth <= 5")
- Structural Repair of Concrete (Depth > 5")
- Temporary Shoring and Cribbing

| INTERIOR GIRDER REACTION TABLE |        |        |        |
|--------------------------------|--------|--------|--------|
|                                | SPAN-1 | SPAN-2 | SPAN-3 |
| $R_L$ (k)                      | 22.8   | 50.2   | 23.2   |
| $R_R$ (k)                      | 31.9   | 36.9   | 32.1   |
| Imp. (k)                       | 9.6    | 8.9    | 9.6    |
| $R_{Total}$ (k)                | 64.4   | 96.1   | 65.0   |

**BILL OF MATERIAL**

| ITEM  | UNIT    | TOTAL |
|---|---------|-------|
| Structural Repair of Concrete (Depth <= 5") | Sq. Ft. | 300   |
| Structural Repair of Concrete (Depth > 5")  | Sq. Ft. | 167   |
| Temporary Shoring and Cribbing              | Each    | 2     |

Note:  
See the Special Provision "Temporary Shoring and Cribbing" for design, installation, and removal of the temporary shoring and cribbing support system. Approximate beam reactions are given in Interior Girder Reaction Table at the locations shown.